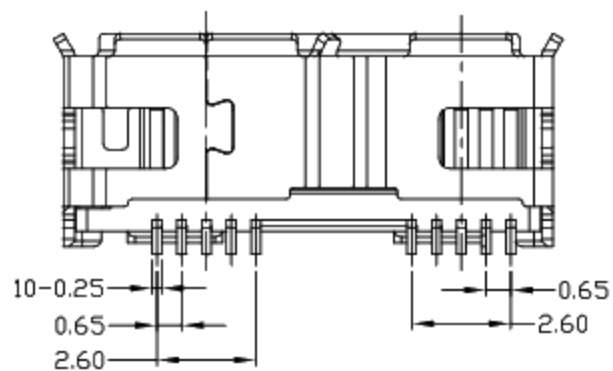
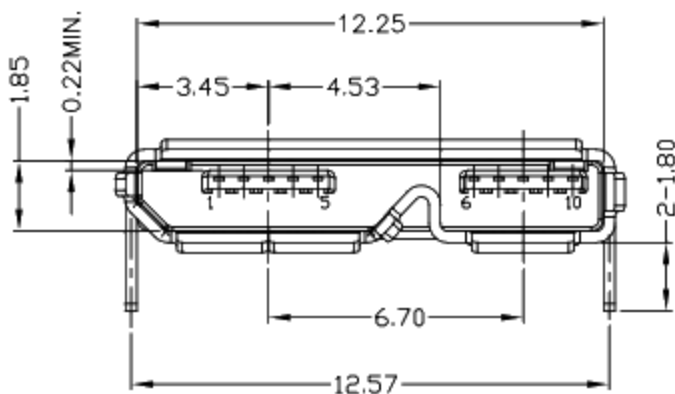
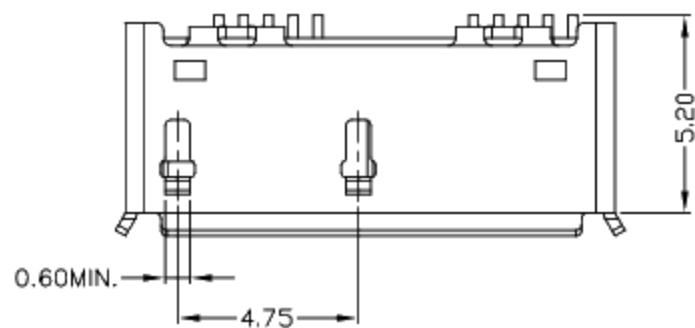


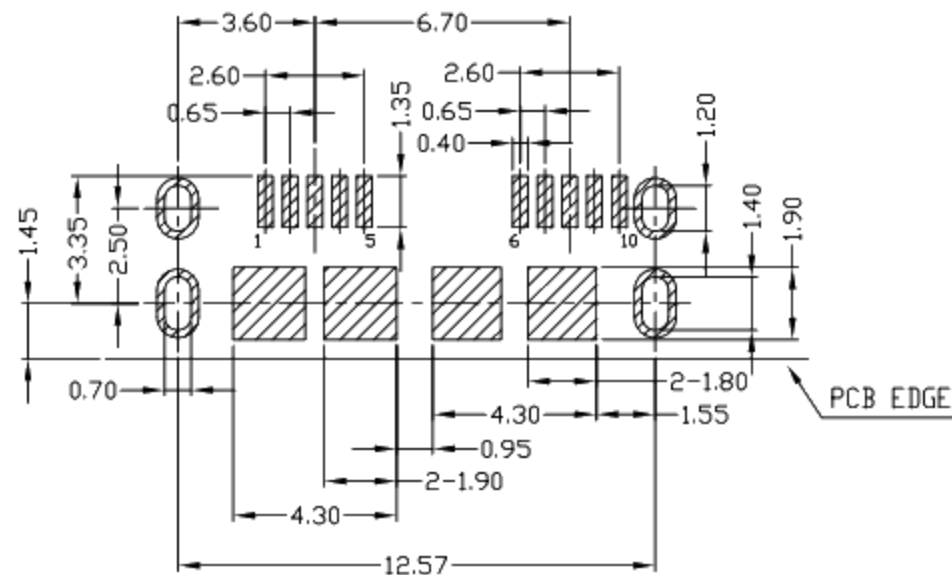
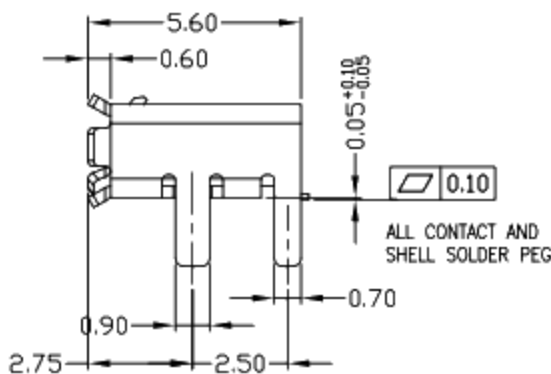


RoHS Compliant
2002/95/EC

| REV | LTR | DESCRIPTION | DATE | REVISER | APPD |
|-----|-----|-------------|------|---------|------|
| | | | | | |



| PIN NUMBER | SIGNAL NAME |
|------------|-------------|
| 1 | VBUS |
| 2 | D- |
| 3 | D+ |
| 4 | ID |
| 5 | GND |
| 6 | MICB_SSTX- |
| 7 | MICB_SSTX+ |
| 8 | GND_DRAIN |
| 9 | MICB_SSRX- |
| 10 | MICB_SSRX+ |
| Shell | Shield |



RECOMMENDED P.C.B LAYOUT

NOTES:

- ELECTRICAL:
 - VOLTAGE CURRENT RATING: 1AMP, 30V AC;
 - INSULATION RESISTANCE: 100MΩ MIN;
 - CONTACT RESISTANCE: 30mΩ MAX;
 - WITHSTANDING VOLTAGE: 500V AC;
 - OPERATING TEMPERATURE: -40°C TO +85°C.
- Mechanical:
 - Mating Force: 35N MAX
 - Unmating Force: 10N MIN.
- DIMENSIONS MARKED "▼" TO BE CHECKED BY Q.C & IPQC.

4. PART NO.

1: Au 1U*
5: Au 15U*
6: Au 30U*

W: WHITE
B: BLACK
1PBT
2PA6T
3PA9T
4LCP

Bill of materials:

| NO | PARTS | MATERIAL | QTY | FINISHING |
|----|----------|-----------------|-----|-----------------|
| 3 | SHELL | STAINLESS STEEL | 1 | PLATED NICKEL |
| 2 | HOUSING | LCP+30%GF | 1 | UL94V-0 |
| 1 | TERMINAL | COPPER ALLOY | 10 | PLATED GOLD/TIN |

| UNITS | mm |
|------------|---------|
| X. ±0.35 | X.* ±2* |
| .X ±0.3 | .X* ±1* |
| .XX ±0.25 | .XX* |
| .XXX ±0.15 | .XXX* |

廣東科斯達電子科技有限公司

TITLE: MICRO USB 3.0 B TYPE F 外殼四圍插板類
G.L.800000012.5201

PART NO.:

DR: gan 2017/08/06

CHKD: gan 2017/08/06

APPD:

DWG NO.:

| SCALE | SHEET | REV. | CUSTOMER DRAWING |
|-------|-------|------|------------------|
| 1:1 | 1/1 | B | |

THESE DRAWINGS AND SPECIFICATIONS ARE THE PROPERTY OF ACCURATE INNOTECH INC AND SHALL NOT BE REPRODUCED, COPIED OR USED IN ANY MANNER WITHOUT THE PRIOR WRITTEN CONSENT OF ACCURATE INNOTECH INC