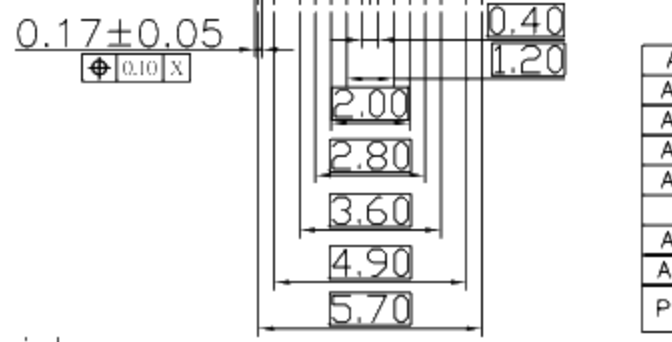
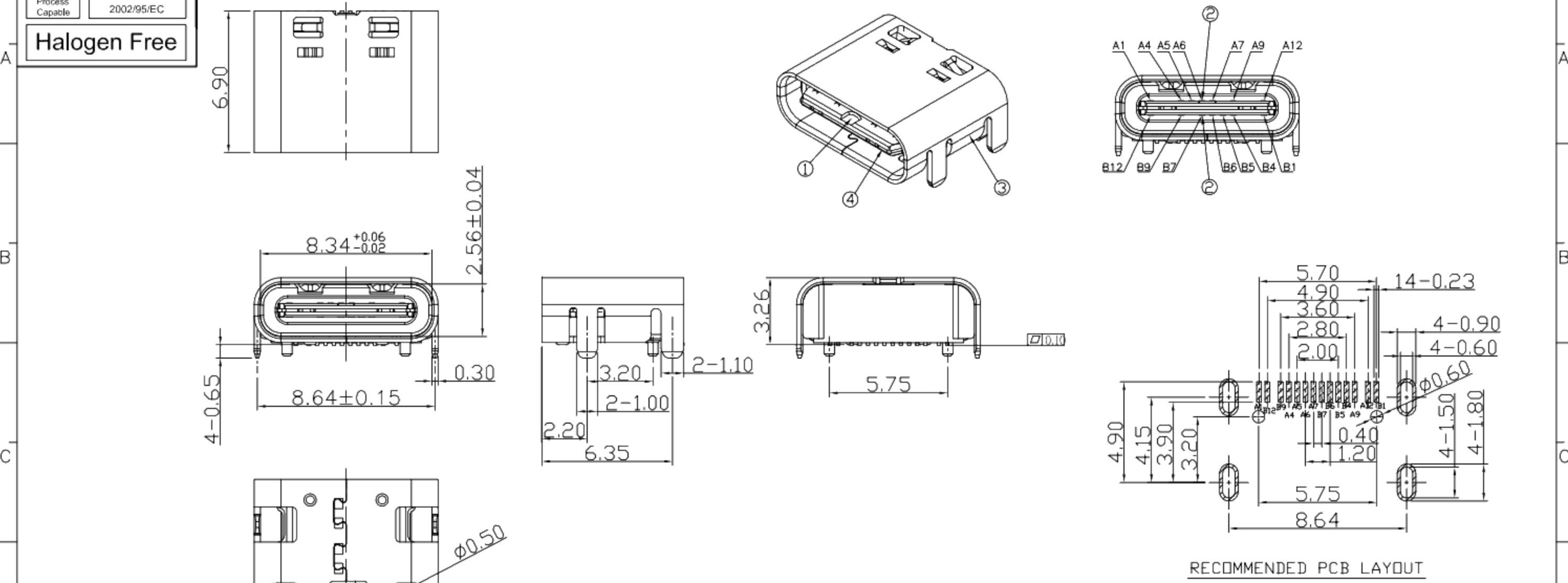


RoHS Compliant
2002/95/EC
Halogen Free

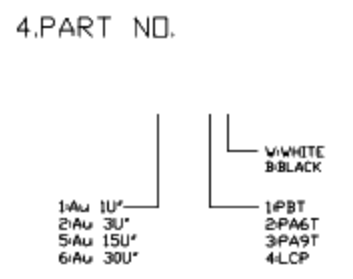
REV	LTR	DESCRIPTION	DATE	REVISER	APPD



A1	GND	B12	GND
A4	VBUS	B9	VBUS
A5	CC1	B7	DN2
A6	DP1	B6	DP2
A7	DN1	B5	CC2
A9	VBUS	B4	VBUS
A12	GND	B1	GND
PIN	SIGNAL NAME	PIN	SIGNAL NAME

NOTES:
1.ELECTRICAL:
 1)CURRENT RATING: 3AMP MAX;
 2)INSULATION RESISTANCE: 100MΩ MIN 250V DC;
 3)CONTACT RESISTANCE: INITIAL 40mΩ MAX; AFTER 50mΩ MAX;
 4)WITHSTANDING VOLTAGE: 100V AC MIN;
 5)OPERATING TEMPERATURE:-40°C TO +80°C.
2.Mechanical:
 1)Mating Force: 5N~20N MAX.
 2)Unmating Force: 8N~20N(INITIAL) 6N~20N(AFTER 10000 CYCLES) MIN.
 3)Durability: 10,000 CYCLES.;
3.DIMENSIONS MARKED "▼"
 TO BE CHECKED BY Q.C & IPQC.

RECOMMENDED PCB LAYOUT



Bill of materials:

NO	PARTS	MATERIAL	QTY	FINISHING			
4	MID PLATE	STAINLESS STEEL	1		X. ±0.38	X' ±5'	UNITS mm
3	SHELL	STAINLESS STEEL	1	PLATED NICKEL	.X ±0.30	.X' ±3'	MAT'L
2	TERMINAL	COPPER ALLOY	14	PLATED GOLD	.XX ±0.20	.XX' ±1'	SEE NOTE
1	INSULATOR	LCP+30%GF	1	UL94V-0	.XXX ±0.10	.XXX'	FINISH SEE NOTE
							Q'TY

THESE DRAWINGS AND SPECIFICATIONS ARE THE PROPERTY OF ACCURATE INNOTECH INC AND SHALL NOT BE REPRODUCED, COPIED OR USED IN ANY MANNER WITHOUT THE PRIOR WRITTEN CONSENT OF ACCURATE INNOTECH INC

廣東科斯達電子科技有限公司

TITLE: USB TYPE CF 2.0 单排14PIN 板上式(带柱) 板上3.26mm
 PART NO.:
 DR: Ricky 2018/1/24
 DWG NO.:
 CHKD: Ricky 2018/1/24
 APPD:
 SCALE: 1:1
 SHEET: 1/1
 REV: B
 CUSTOMER DRAWING