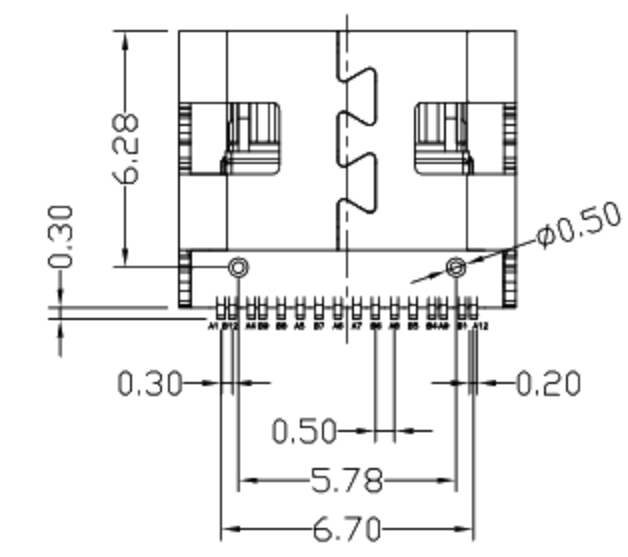
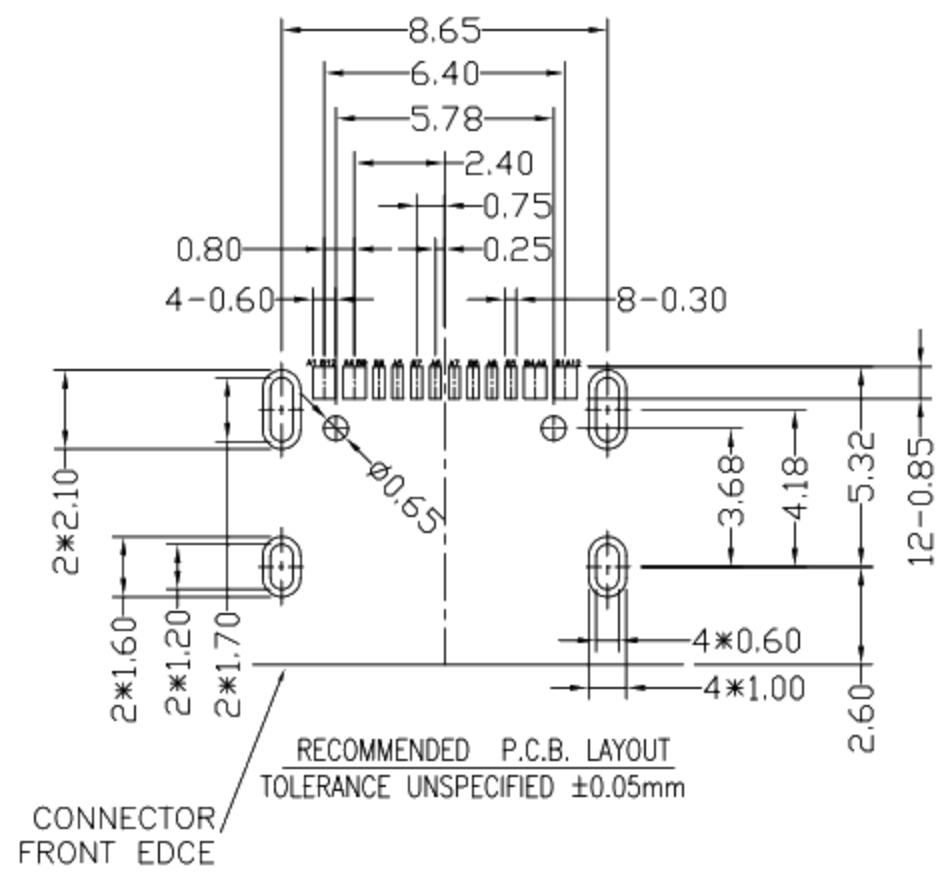
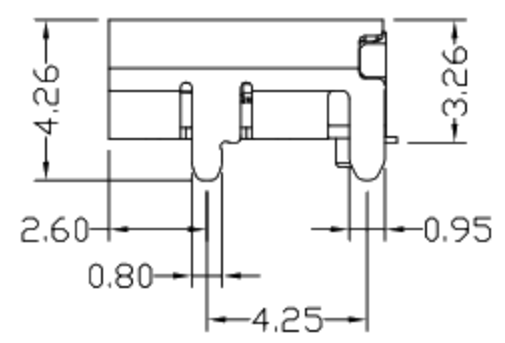
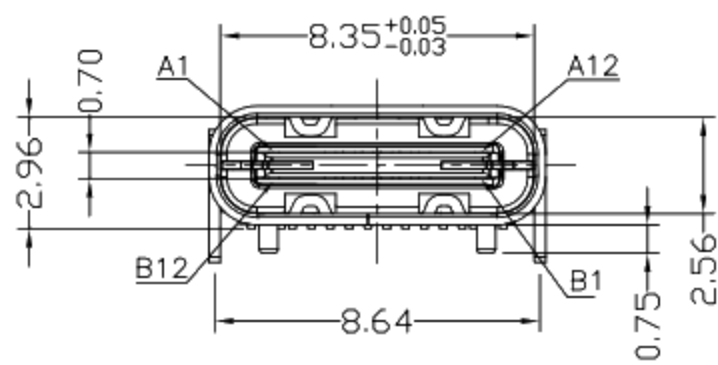
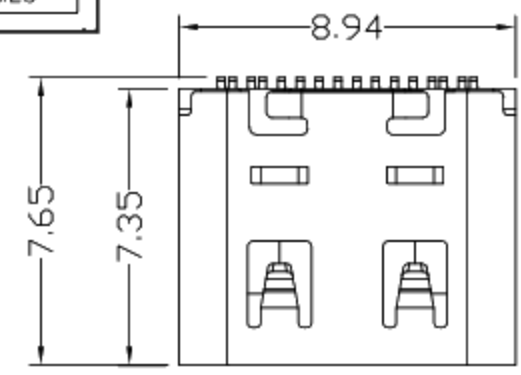




RoHS Compliant
2002/95/EC

REV.	ECN. NO.	APPD.



A1	GND	B12	GND
A4	VBUS	B9	VBUS
A5	CC1	B8	SBU2
A6	DP1	B7	DN2
A7	DN1	B6	DP2
A8	SBU1	B5	CC2
A9	VBUS	B4	VBUS
A12	GND	B1	GND
PIN	SIGNAL NAME	PIN	SIGNAL NAME

- NOTES:
- ELECTRICAL:
 - CURRENT RATING: 3AMP MAX;
 - INSULATION RESISTANCE: 100MΩ MIN 250V DC;
 - CONTACT RESISTANCE: 40mΩ MAX;
 - WITHSTANDING VOLTAGE: 100V AC;
 - OPERATING TEMPERATURE: -30°C TO +85°C.
 - Mechanical:
 - Mating Force: 20N MAX.
 - Unmating Force: 6N MIN.
 - DIMENSIONS MARKED "▼"
TO BE CHECKED BY Q.C & IPQC.

4.PART NO.

1-Au 1U'
2-Au 3U'
5-Au 15u'
6-Au 30U'

1-PBT
2-PA6T
3-PA9T
4-LCP

W-WHITE
B-BLACK

5				.X ±0.30	.X' ±1'	UNITS	mm
4	HOOK	STAINLESS STEEL	1	.XX ±0.20	.XX'	MAT'L	
3	SHELL	STAINLESS STEEL	1	.XXX ±0.10	.XXX'	SEE NOTE	
2	TERMINAL	COPPER ALLOY	16			FINISH	SEE NOTE
1	HOUSING	LCP+30%GF	1			Q'TY	
NO	PARTS	MATERIAL	QTY	FINISHING			

THESE DRAWINGS AND SPECIFICATIONS ARE THE PROPERTY OF ACCURATE INNOTECH INC AND SHALL NOT BE REPRODUCED, COPIED OR USED IN ANY MANNER WITHOUT THE PRIOR WRITTEN CONSENT OF ACCURATE INNOTECH INC

廣東科斯達電子科技有限公司

TITLE: USB TYPE CF 短体7.35 单排16P
四脚插板 有弹 尾部冲压 二次成型

PART NO.:

DR: Ricky 2017/12/07

CHKD: Ricky 2017/12/07

APPD:

DWG NO.:

SCALE	SHEET	REV.	CUSTOMER DRAWING
1:1	1/1	B	