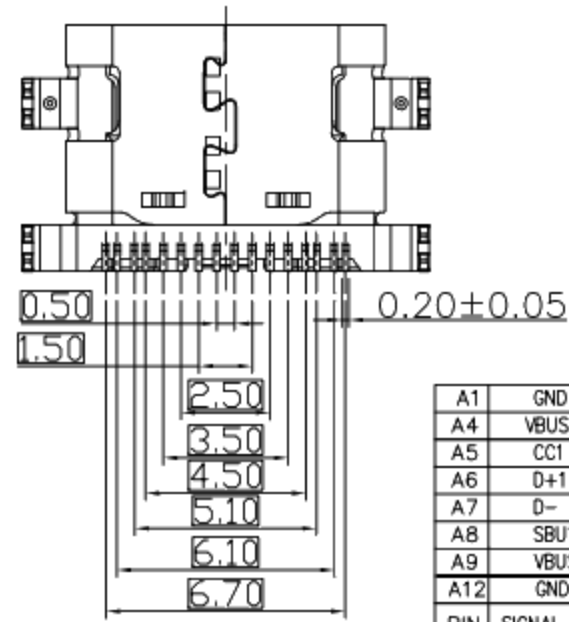
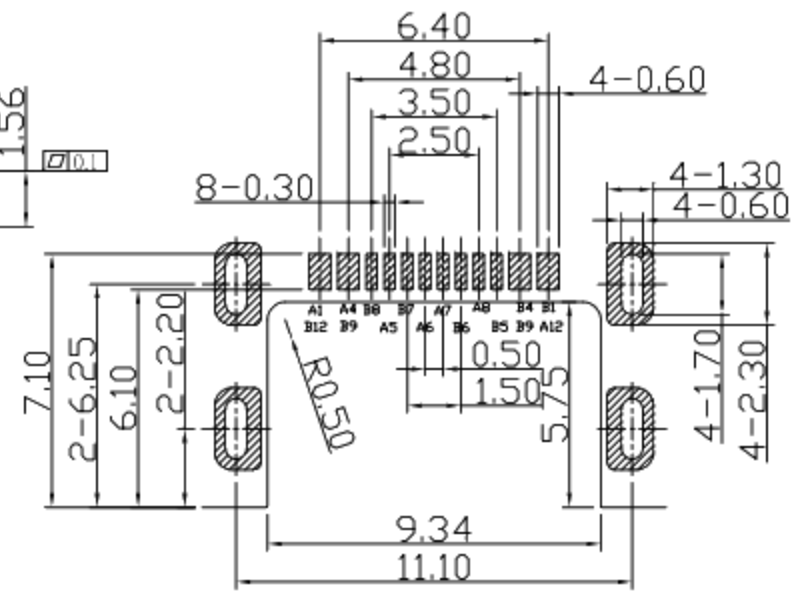
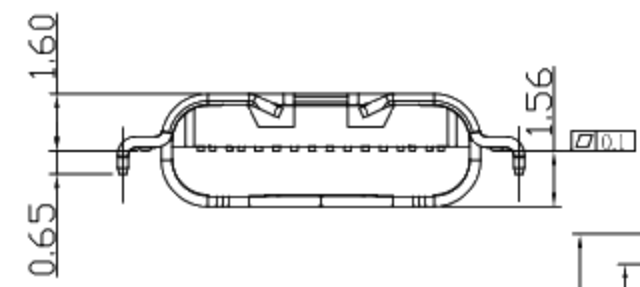
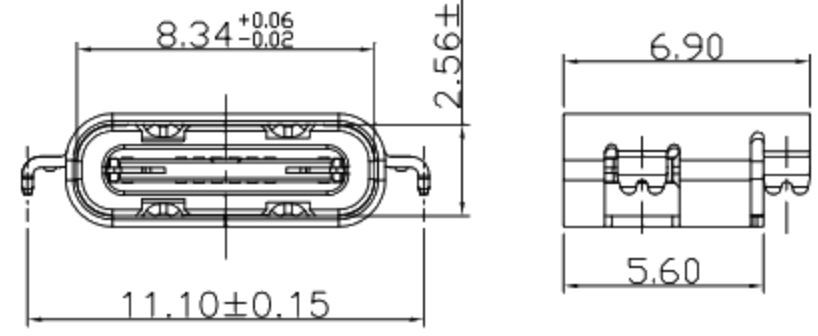
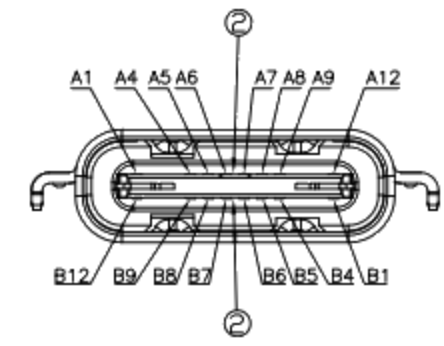
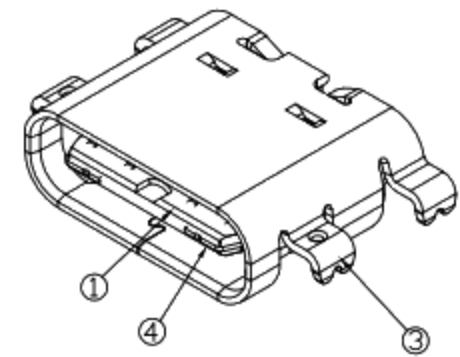
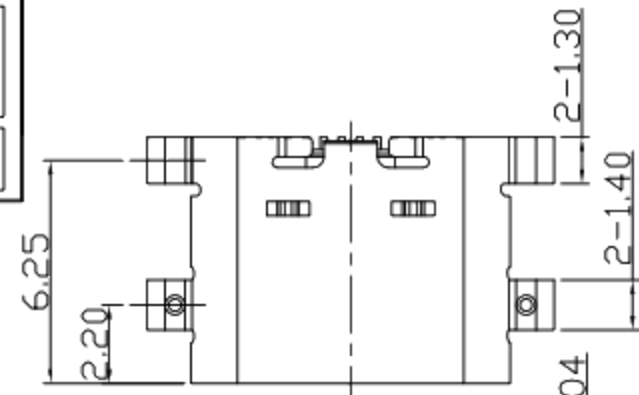


RoHS Compliant  
2002/95/EC  
Halogen Free

REV	LTR	DESCRIPTION	DATE	REVISER	APPD



A1	GND	B12	GND
A4	VBUS	B9	VBUS
A5	CC1	B8	SBU2
A6	D+	B7	D-
A7	D-	B6	D+
A8	SBU1	B5	CC2
A9	VBUS	B4	VBUS
A12	GND	B1	GND
PIN	SIGNAL NAME	PIN	SIGNAL NAME

NOTES:

- ELECTRICAL:
  - CURRENT RATING: 5A(VBUS PIN 1.5A/PIN), 5A(GND PIN 1.25A/PIN MAX), 0.25A/PIN(OTHER PIN);
  - INSULATION RESISTANCE: 100MΩ MIN 250V DC;
  - CONTACT RESISTANCE: INITIAL 40mΩ MAX; AFTER 50mΩ MAX;
  - WITHSTANDING VOLTAGE: 100V AC MIN;
  - OPERATING TEMPERATURE: -40°C TO +80°C.
- Mechanical:
  - Mating Force: 5N~20N MAX.
  - Unmating Force: 8N~20N(INITIAL) 6N~20N(AFTER 10000 CYCLES) MIN.
  - Durability: 10,000 CYCLES.;
- DIMENSIONS MARKED "▼"  
TO BE CHECKED BY Q.C & IPQC.

4.PART NO.

1Au 1U'	1PBT
2Au 3U'	2PA6T
5Au 15U'	3PA9T
6Au 30U'	4LCP

Bill of materials:

4	MID PLATE	STAINLESS STEEL	1	
3	SHELL	STAINLESS STEEL	1	PLATED GOLD/NICKEL
2	TERMINAL	COPPER ALLOY	16	PLATED GOLD
1	INSULATOR	LCP+30%GF	1	UL94V-0
NO	PARTS	MATERIAL	QTY	FINISHING

X. ±0.38	X.' ±5'	UNITS	mm
.X ±0.30	.X' ±3'	MAT'L	
.XX ±0.20	.XX' ±1'	SEE NOTE	
.XXX ±0.10	.XXX'	FINISH	
THESE DRAWINGS AND SPECIFICATIONS ARE THE PROPERTY OF ACCURATE INNOTECH INC. AND SHALL NOT BE REPRODUCED, COPIED OR USED IN ANY MANNER WITHOUT THE PRIOR WRITTEN CONSENT OF ACCURATE INNOTECH INC.		SEE NOTE	
		Q'TY	

**廣東科斯達電子科技有限公司**

TITLE: USB TYPE CF 2.0 单排16PIN  
沉板式 板上L:60mm

DR: Ricky 2018/1/25

CHKD: Ricky 2018/1/25

APPD:

PART NO.:

DWG NO.:

SCALE	SHEET	REV.	CUSTOMER DRAWING
1:1	1/1	B	