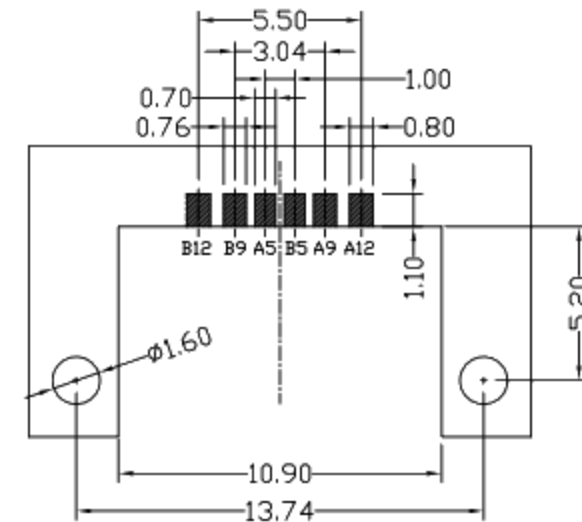
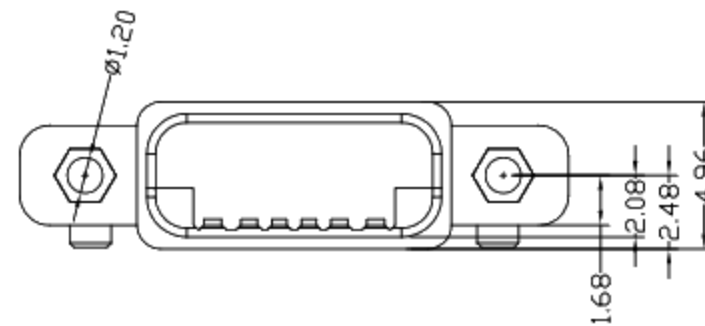
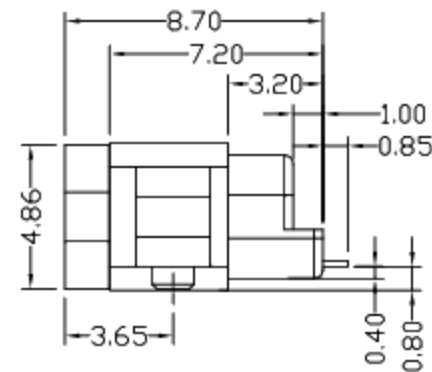
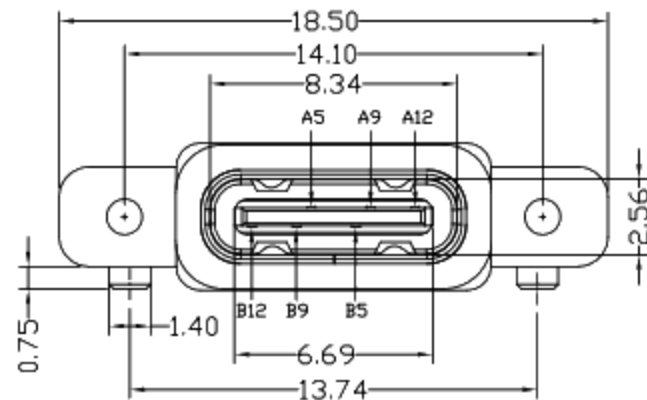
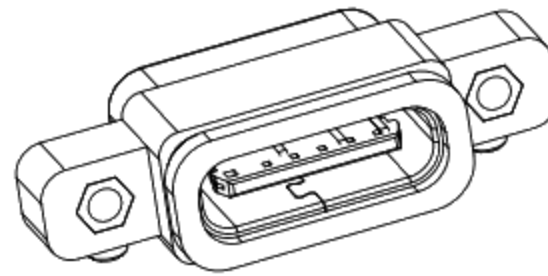
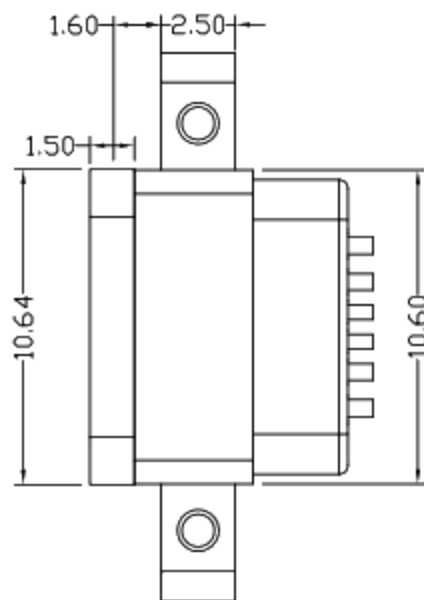




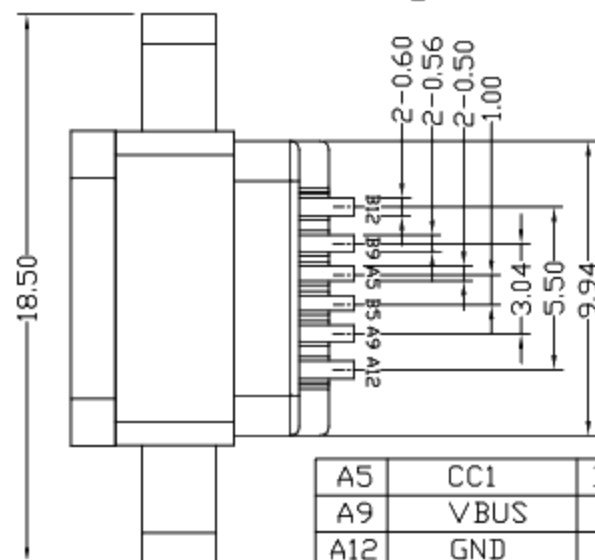
RoHS Compliant
2002/95/EC



REV.	ECN.	NO.	APPD.



RECOMMENDED P.C.B. LAYOUT
TOLERANCE UNSPECIFIED ±0.05mm



A5	CC1	B12	GND
A9	VBUS	B9	VBUS
A12	GND	B5	CC2
PIN	SIGNAL NAME	PIN	SIGNAL NAME

NOTES:

1.ELECTRICAL:

- 1)CURRENT RATING: 3A MAX.
- 2)INSULATION RESISTANCE: 100MΩ MIN;
- 3)CONTACT RESISTANCE: 40mΩ MAX;
- 4)WITHSTANDING VOLTAGE: 100V AC
- 5)OPERATING TEMPERATURE:-30°C TO +85°C.

2.Mechanical:

- 1)Mating Force: 5N~20N
- 2)Unmating Force: 8N~20N
- 3) Durability: 10,000 cycles

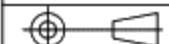
**3.DIMENSIONS MARKED '▼'
TO BE CHECKED BY Q.C & IPQC.**

4.PART NO.

1Au 1U'	1PBT
2Au 3U'	2PA6T
5Au 15U'	3PA9T
6Au 30U'	4LCP
	W/WHITE
	B/BLACK

6	WATERPROOF RING	硅橡膠	1	BLACK	X.X ±0.30	X.' ±2'	UNITS	mm
5	NUT	COPPER ALLOY	1		.XX ±0.20	.XX' ±1'	MAT'L	
4	SHIELDING PLATE	STAINLESS STEEL	1		.XXX ±0.10	.XXX' ±0.5'	SEE NOTE	
3	CONTACT	COPPER ALLOY	6	PLATED GOLD/TIN			FINISH	
2	SHELL HOUSING	LCP+30%GF	1	UL94V-0			SEE NOTE	
1	HOUSING	LCP+30%GF	1	UL94V-0			Q'TY	
NO	PARTS	MATERIAL	QTY	FINISHING				

THESE DRAWINGS AND SPECIFICATIONS ARE THE PROPERTY OF ACCURATE INNTECH INC AND SHALL NOT BE REPRODUCED, COPIED OR USED IN ANY MANNER WITHOUT THE PRIOR WRITTEN CONSENT OF ACCURATE INNTECH INC



廣東科斯達電子科技有限公司

TITLE:	USB Type-CF 单排6P 带螺母 防水型	PART NO.:	
DR:	Ricky 2019/08/20	DWG NO.:	
CHKD:	Ricky 2019/08/20	SCALE	1:1
APPD:		SHEET	1/1
		REV.	B
		CUSTOMER DRAWING	