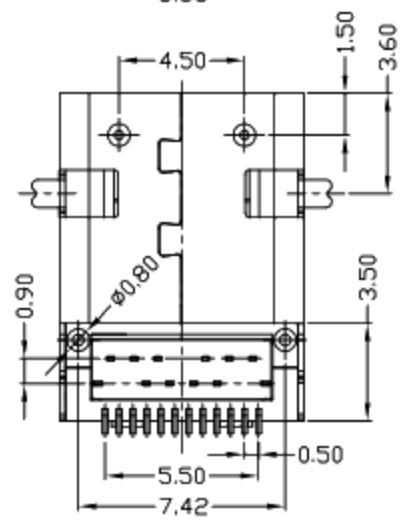
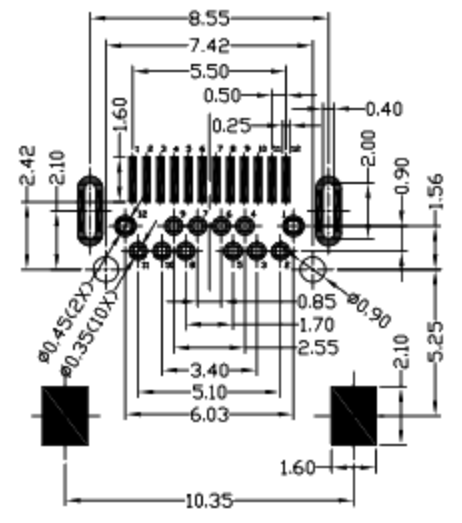
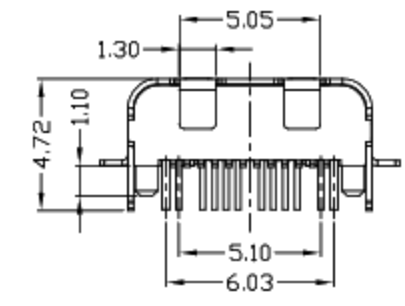
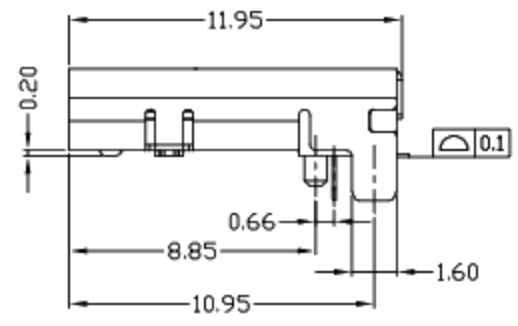
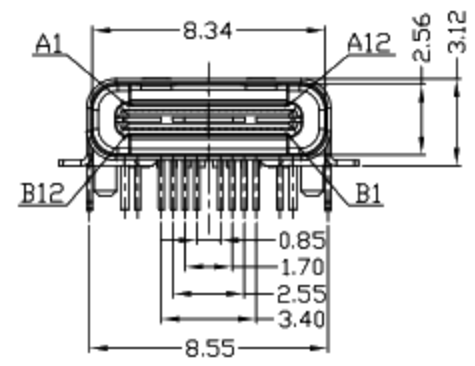
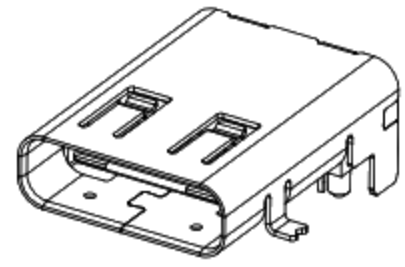
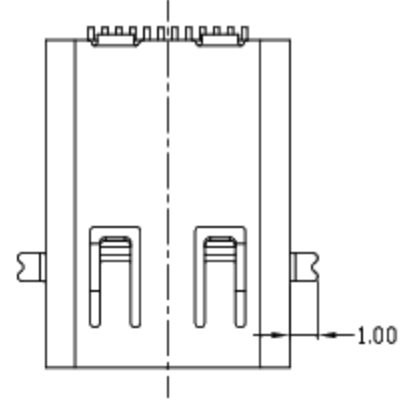




RoHS
Compliant
2002/95/EC

REV.	ECN.	NO.	APPD.



A1	GND	B12	GND
A2	SSTXP1	B11	SSRXN1
A3	SSTXN1	B10	SSRXN1
A4	VBUS	B9	VBUS
A5	CC1	B8	SBU2
A6	DP1	B7	DN2
A7	DN1	B6	DP2
A8	SBU1	B5	CC2
A9	VBUS	B4	VBUS
A10	SSRXN2	B3	SSTXN2
A11	SSRXN2	B2	SSTXP2
A12	GND	B1	GND
PIN	SIGNAL NAME	PIN	SIGNAL NAME

- NOTES:
- ELECTRICAL:
 - CURRENT RATING: 3AMP MAX;
 - INSULATION RESISTANCE: 100MΩMIN;
 - CONTACT RESISTANCE: 30mΩMAX;
 - WITHSTANDING VOLTAGE: 250V AC;
 - OPERATING TEMPERATURE: -30°C TO +80°C.
 - Mechanical:
 - Mating Force: 35N MAX
 - Unmating Force: 10N MIN.
 - DIMENSIONS MARKED "▼"
TO BE CHECKED BY Q.C & IPQC.

4. PART NO.

1: Au 1U'	W: WHITE
2: Au 3U'	B: BLACK
5: Au 15U'	1PBT
6: Au 30U'	2PA6T
	3PA9T
	4LCP

Bill of materials:

NO	PARTS	MATERIAL	QTY	FINISHING
5	SHRAPNEL	STAINLESS STEEL	1	PLATED NICKEL
4	HOOK	STAINLESS STEEL	2	PLATED NICKEL
3	SHELL	STAINLESS STEEL	1	PLATED NICKEL/TIN
2	TERMINAL	COPPER ALLOY	24	PLATED GOLD/TIN
1	HOUSING	LCP+30%GF	1	UL94V-0

X. ±0.35	X.* ±2'	UNITS	mm
.X ±0.3	.X.* ±1'	MAT'L	SEE NOTE
.XX ±0.25	.XX.*	FINISH	SEE NOTE
.XXX ±0.15	.XXX.*	Q'TY	SEE NOTE

THESE DRAWINGS AND SPECIFICATIONS ARE THE PROPERTY OF ACCURATE INNOTECH INC AND SHALL NOT BE REPRODUCED, COPIED OR USED IN ANY MANNER WITHOUT THE PRIOR WRITTEN CONSENT OF ACCURATE INNOTECH INC.

廣東科斯達電子科技有限公司

TITLE:	PART NO.:
USB Type-C/F 母座11.95前貼后插	
DR: gan 2015/11/25	DWG NO.:
CHKD: gan 2015/11/25	
APPD:	SCALE SHEET REV. CUSTOMER DRAWING
	1:1 1/1 B