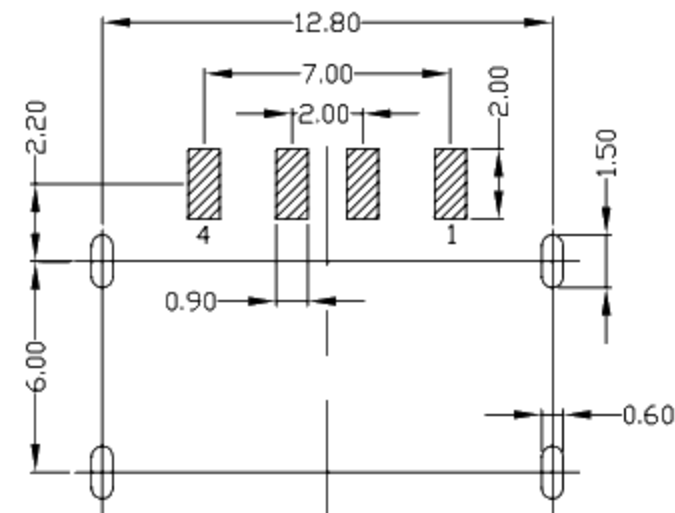
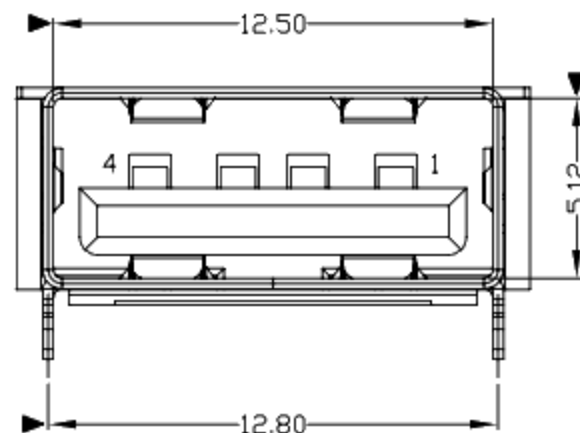
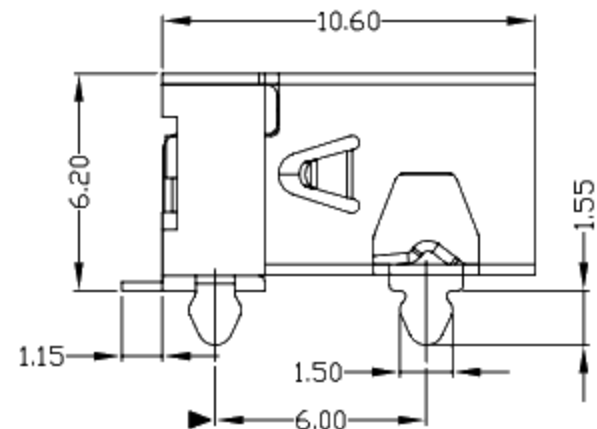


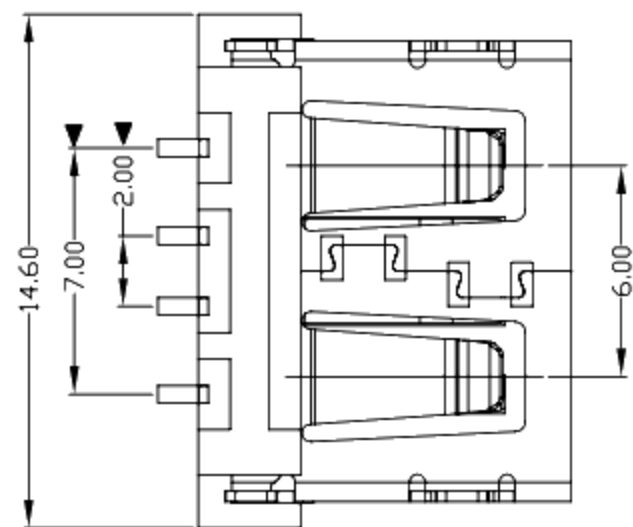


RoHS  
Compliant  
2002/95/EC

| REV. | ECN. NO. | APPD. |
|------|----------|-------|
|      |          |       |
|      |          |       |
|      |          |       |



RECOMMENDED PCB LAYOUT



NOTES:

1. ELECTRICAL:

- 1) VOLTAGE CURRENT RATING: 2AMP, 30V AC;
- 2) INSULATION RESISTANCE: 1000MΩ MIN;
- 3) CONTACT RESISTANCE: 30mΩ MAX;
- 4) WITHSTANDING VOLTAGE: 500V AC;
- 5) OPERATING TEMPERATURE: -55°C TO +85°C.

2. Mechanical:

- 1) Mating Force: 35N MAX
- 2) Unmating Force: 10N MIN.

3. NOTE: 1. DIMENSIONS MARKED "▼"  
TO BE CHECKED BY Q.C & IPQC.

4. PART NO.

1: Au 1U\*  
6: Au 30U\*

W: WHITE  
B: BLACK

1: PBT  
2: PA6T  
3: PA9T  
4: LCP

Bill of materials:

| NO | PARTS    | MATERIAL     | QTY | FINISHING       | UNITS      | mm      | 廣東科斯達電子科技有限公司                          |                                   |     |   |  |
|----|----------|--------------|-----|-----------------|------------|---------|--|-----------------------------------|-----|---|--|
| 3  | HOUSING  | LCP/PBT      | 1   | UL94V-0         | X. ±0.35   | X.* ±2' | TITLE: USB A/Y 90° SMT<br>短体铜壳(10.6反向) | PART NO.:                         |     |   |  |
| 2  | SHELL    | COPPER ALLOY | 1   | PLATED NICKEL   | .X ±0.3    | .X* ±1' | DR: gan 2012/7/03                      | DWG NO.:                          |     |   |  |
| 1  | TERMINAL | COPPER ALLOY | 4   | PLATED GOLD/TIN | .XX ±0.25  | .XX*    | CHKD: gan 2012/7/03                    | SCALE SHEET REV. CUSTOMER DRAWING |     |   |  |
|    |          |              |     |                 | .XXX ±0.15 | .XXX*   | APPD:                                  | 1:1                               | 1/1 | B |  |

THESE DRAWINGS AND SPECIFICATIONS ARE THE PROPERTY OF ACCURATE INNOVATECH INC AND SHALL NOT BE REPRODUCED, COPIED OR USED IN ANY MANNER WITHOUT THE PRIOR WRITTEN CONSENT OF ACCURATE INNOVATECH INC.

