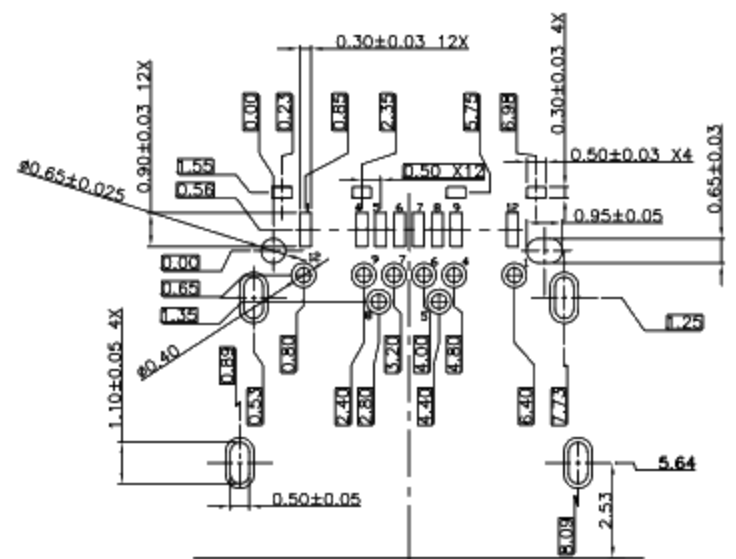
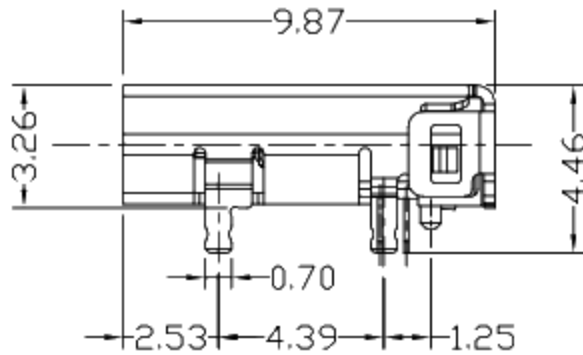
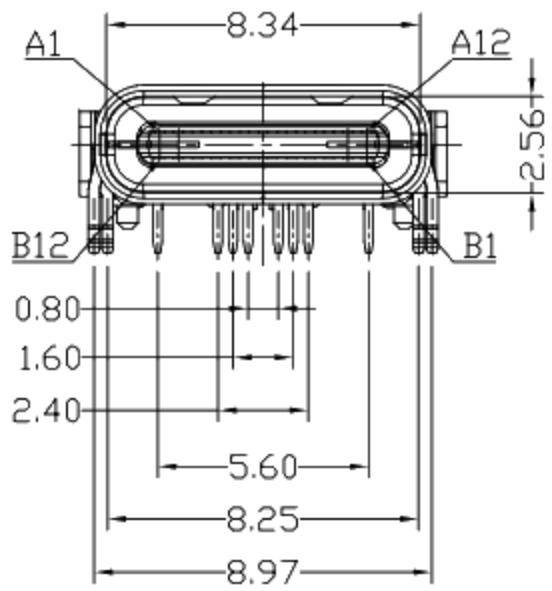
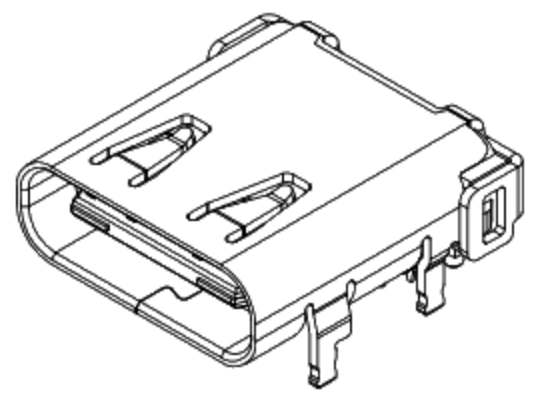
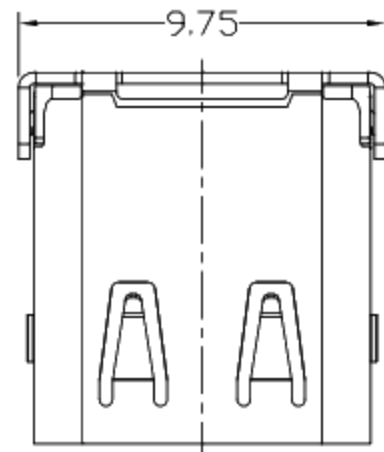




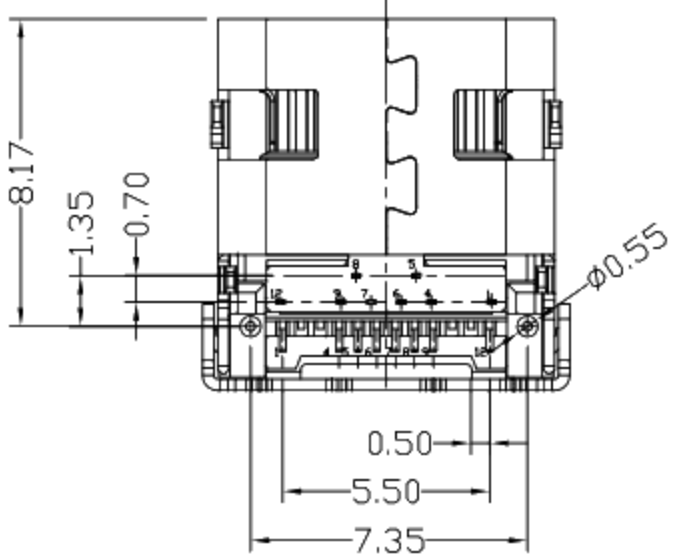
RoHS
Compliant
2002/95/EC

| REV. | ECN. | NO. | APPD. |
|------|------|-----|-------|
| | | | |
| | | | |



RECOMMENDED P.C.B. LAYOUT
TOLERANCE UNSPECIFIED ±0.05mm

CONNECTOR
FRONT EDGE



| | | | |
|-----|-------------|-----|-------------|
| A1 | GND | B12 | GND |
| A4 | VBUS | B9 | VBUS |
| A5 | CC1 | B8 | SBU2 |
| A6 | DP1 | B7 | DN2 |
| A7 | DN1 | B6 | DP2 |
| A8 | SBU1 | B5 | CC2 |
| A9 | VBUS | B4 | VBUS |
| A12 | GND | B1 | GND |
| PIN | SIGNAL NAME | PIN | SIGNAL NAME |

- NOTES:
- ELECTRICAL:
 - CURRENT RATING: 3AMP MAX;
 - INSULATION RESISTANCE: 100MΩ MIN 250V DC;
 - CONTACT RESISTANCE: 30mΩ MAX;
 - WITHSTANDING VOLTAGE: 250V AC;
 - OPERATING TEMPERATURE: -30°C TO +80°C.
 - Mechanical:
 - Mating Force: 35N MAX.
 - Unmating Force: 10N MIN.
 - DIMENSIONS MARKED "▼"
TO BE CHECKED BY Q.C & IPQC.

4.PART NO.

- 1Au 1U*
2Au 3U*
5Au 15u*
6Au 30U*
- W-WHITE
B-BLACK
BL-BLUE
- 1PBT
2PA6T
3PA9T
4LCP

| | | | | | | | |
|----|----------|-----------------|-----|---------------|------------|---------|-----------------|
| 5 | SHRAPNEL | STAINLESS STEEL | 2 | | .X ±0.30 | .X' ±1' | UNITS mm |
| 4 | HOOK | STAINLESS STEEL | 1 | | .XX ±0.20 | .XX' | MAT'L |
| 3 | SHELL | STAINLESS STEEL | 1 | PLATED NICKEL | .XXX ±0.10 | .XXX' | SEE NOTE |
| 2 | TERMINAL | COPPER ALLOY | 16 | PLATED GOLD | | | FINISH SEE NOTE |
| 1 | HOUSING | LCP+30%GF | 1 | UL94V-0 | | | Q'TY |
| NO | PARTS | MATERIAL | QTY | FINISHING | | | |

THESE DRAWINGS AND SPECIFICATIONS ARE THE PROPERTY OF ACCURATE INNOTECH INC AND SHALL NOT BE REPRODUCED, COPIED OR USED IN ANY MANNER WITHOUT THE PRIOR WRITTEN CONSENT OF ACCURATE INNOTECH INC

廣東科斯達電子科技有限公司

| | |
|-----------------------------------|-----------------------------------|
| TITLE: USB TYPE CF 前插后插16P 板上型 | PART NO.: |
| DR: Ricky 2017/12/12 | DWG NO.: |
| CHKD: Ricky 2017/12/12 | SCALE SHEET REV. CUSTOMER DRAWING |
| APPD: | 1:1 1/1 B |