



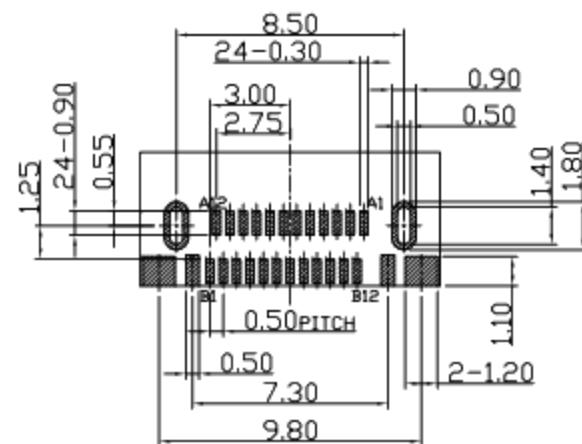
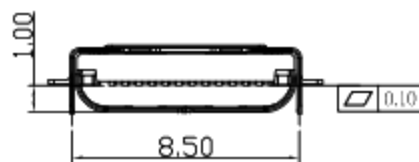
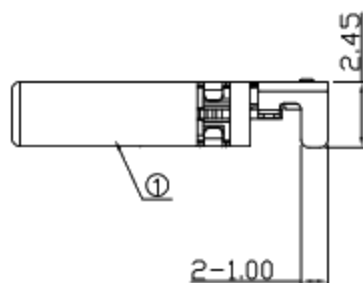
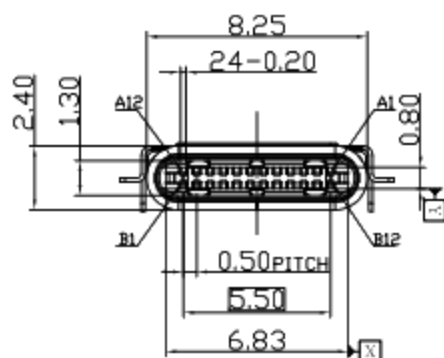
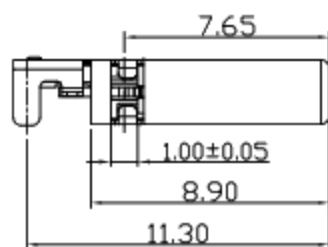
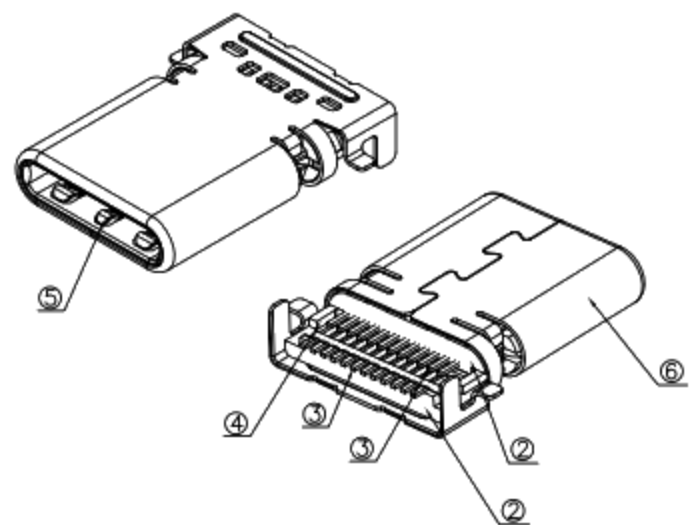
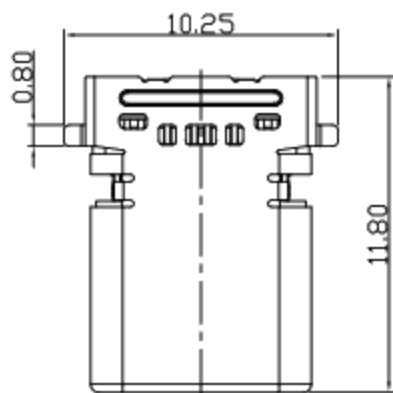
RoHS  
Compliant  
2002/95/EC

Halogen Free

REV	LTR	DESCRIPTION	DATE	REVISER	APPD

Pin Assignments And Mating Sequence:

Pin NO.	Signal Name	Mating Sequence	Pin NO.	Signal Name	Mating Sequence
A1	GND	First	B12	GND	First
A2	SSTXp1	Second	B11	SSRXp1	Second
A3	SSTXn1	Second	B10	SSRXn1	Second
A4	Vaus	First	B9	Vaus	First
A5	CC1	Second	B8	SBU2	Second
A6	Dp1	Second	B7	Dn2	Second
A7	Dn1	Second	B6	Dp2	Second
A8	SBU1	Second	B5	CC2	Second
A9	Vaus	First	B4	Vaus	First
A10	SSRXn2	Second	B3	SSTXn2	Second
A11	SSTXn2	Second	B2	SSTXn2	Second
A12	GND	First	B1	GND	First
Shell	GND		Shell	GND	



RECOMMENDED PCB LAYOUT

NOTES:

1.ELECTRICAL:

1)CURRENT RATING: A current of 5.0 A shall be applied Pin-A4 · Pin-A9 · Pin-B4 · Pin-B9 · 1.25 A shall be applied Pin-A1 · Pin-A12 · Pin-B1 · Pin-B12 · 0.25 A shall be applied other pin;

2)INSULATION RESISTANCE: 100MΩ MIN 250V DC;

3)CONTACT RESISTANCE: INITIAL 40mΩ MAX; AFTER 50mΩ MAX;

4)WITHSTANDING VOLTAGE: 100V AC MIN;

5)OPERATING TEMPERATURE: -40°C TO +85°C.

2.Mechanical:

1)Mating Force: 5N~20N MAX.

2)Unmating Force: 8N~20N(INITIAL) 6N~20N(AFTER 10000 CYCLES) MIN.

3)Durability: 200±50 CYCLES/HOUR,10000 CYCLES.;

3.DIMENSIONS MARKED "▼"

TO BE CHECKED BY Q.C & IPQC.

4.PART NO.



带CAP图示

Bill of materials:

NO	PARTS	MATERIAL	QTY	FINISHING	UNITS	mm
7	COVER	LCP+30%GF	1	UL94V-0	X. ±0.38	X.' ±5'
6	SHELL	STAINLESS STEEL	1	PLATED GOLD/NICKEL	.X ±0.30	.X' ±3'
5	SPRING SHEET	STAINLESS STEEL	2	PLATED NICKEL	.XX ±0.20	.XX' ±1'
4	LATCH	STAINLESS STEEL	1	PLATED GOLD	.XXX ±0.10	.XXX'
3	TERMINAL	COPPER ALLOY	24	PLATED GOLD		
2	INSULATOR	LCP+30%GF	2	UL94V-0		
1	HOUSING	LCP+30%GF	1	UL94V-0		

THESE DRAWINGS AND SPECIFICATIONS ARE THE PROPERTY OF ACCURATE INNOTECH INC AND SHALL NOT BE REPRODUCED, COPIED OR USED IN ANY MANNER WITHOUT THE PRIOR WRITTEN CONSENT OF ACCURATE INNOTECH INC

廣東科斯達電子科技有限公司

TITLE: USB TYPE C PLUG 双排24PIN 沉板1.00mm 鐵殼折彎式	PART NO.:
DR: Ricky 2018/1/26	DWG NO.:
CHKD: Ricky 2018/1/26	SCALE SHEET REV. CUSTOMER DRAWING
APPD:	1:1 1/1 B