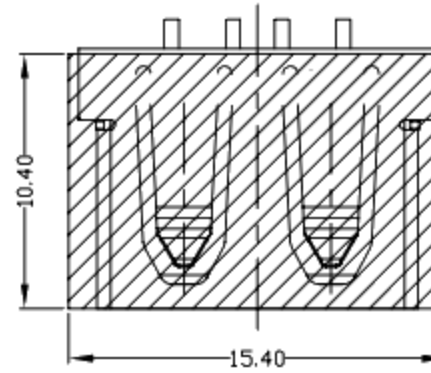
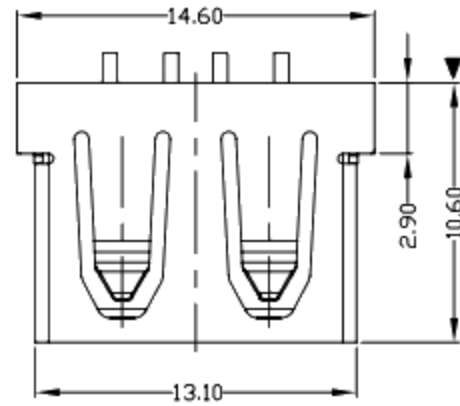


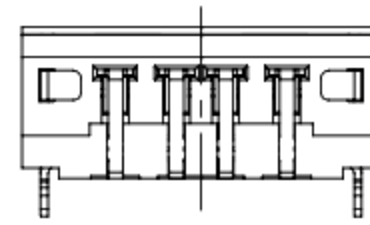
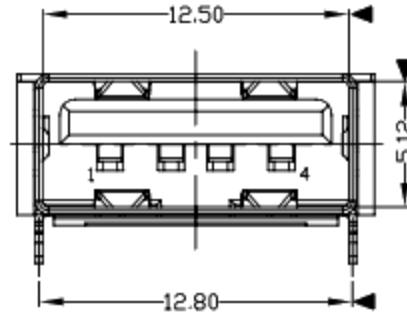
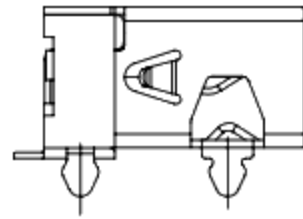


RoHS
Compliant
2002/95/EC

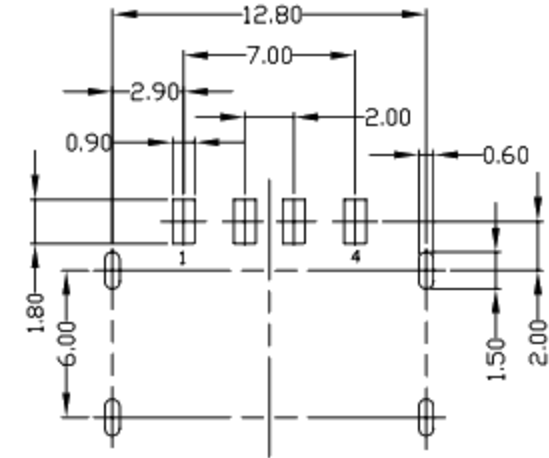
REV.	ECN.	NO.	APPD.



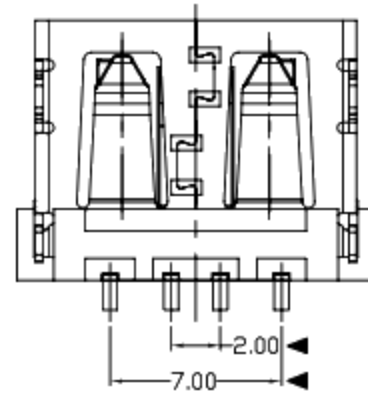
MYLAR 示意图



外壳铆合面视图



RECOMMENDED PCB LAYOUT



NOTES:

- ELECTRICAL:**
 - VOLTAGE CURRENT RATING: 2AMP, 30V AC;
 - INSULATION RESISTANCE: 1000MΩ MIN;
 - CONTACT RESISTANCE: 30mΩ MAX;
 - WITHSTANDING VOLTAGE: 500V AC;
 - OPERATING TEMPERATURE: -55°C TO +85°C.
- Mechanical:**
 - Mating Force: 35N MAX
 - Unmating Force: 10N MIN.
- NOTE: 1. DIMENSIONS MARKED "▼"
TO BE CHECKED BY Q.C & IPQC.

4. PART NO.

1: Au 1U*
6: Au 30U*

W: WHITE
B: BLACK

1: PBT
2: PA6T
3: PA9T
4: LCP

Bill of materials:

3	HOUSING	LCP	1	UL94V-0
2	SHELL	COPPER ALLOY	1	PLATED NICKEL
1	TERMINAL	COPPER ALLOY	4	PLATED GOLD/TIN
NO	PARTS	MATERIAL	QTY	FINISHING

X. ±0.35	X.* ±2'	UNITS	mm
.X ±0.3	.X.* ±1'	MAT'L	SEE NOTE
.XX ±0.25	.XX.*	FINISH	SEE NOTE
.XXX ±0.15	.XXX.*	Q'TY	SEE NOTE
THESE DRAWINGS AND SPECIFICATIONS ARE THE PROPERTY OF ACCURATE INNOTECH INC AND SHALL NOT BE REPRODUCED, COPIED OR USED IN ANY MANNER WITHOUT THE PRIOR WRITTEN CONSENT OF ACCURATE INNOTECH INC.			

廣東科斯達電子科技有限公司			
TITLE: 1'SB A/F 90° SMT 壓片 (1D.6) 彈片尖角形		PART NO.:	
DR: gan 2012/6/30		DWG NO.:	
CHKD: gan 2012/6/30		SCALE	SHEET
APPD:		1:1	1/1
		REV.	CUSTOMER DRAWING
		B	