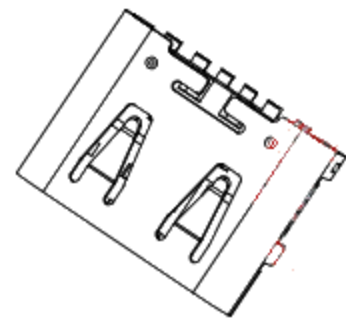
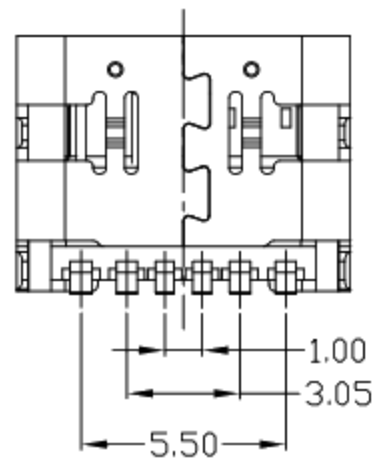
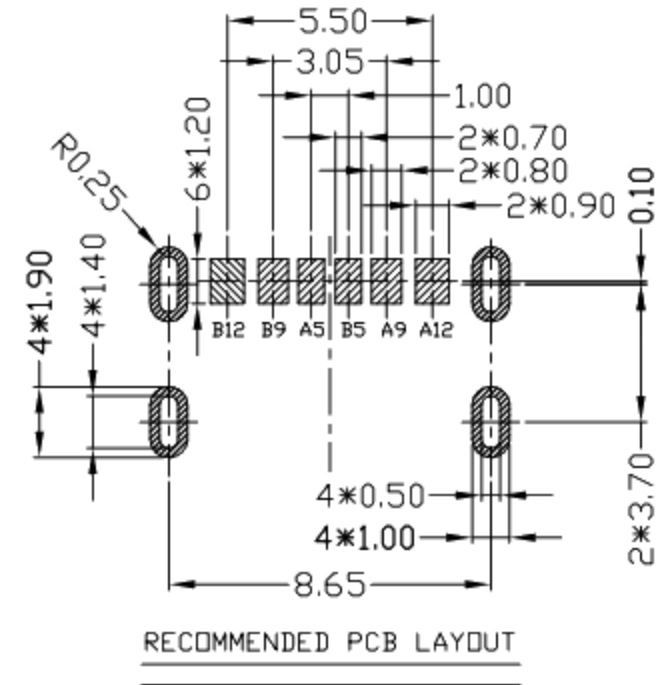
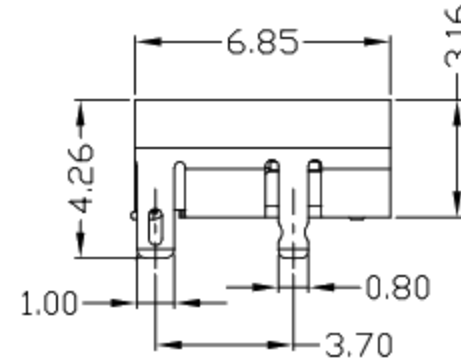
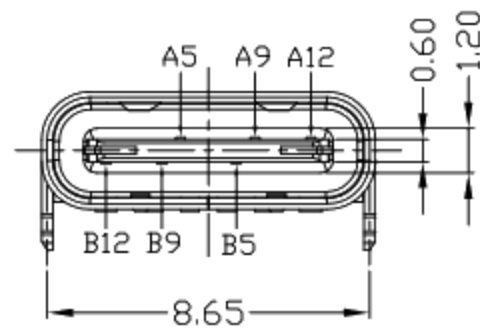


USB TYPE-C 6P  
RECEPTACLE INTERFACE PIN ASSIGNMENTS

B12	GND
B9	VBUS
B5	CC2
A5	CC1
A9	VBUS
A12	GND
PIN	SIGNAL NAME



- NOTES:
- ELECTRICAL:
    - CURRENT RATING: 5AMP MIN FOR VBUS; VOLTAGE RATING: 20VAC MAX 1.25A FOR GND PIN. 0.25A MIN FOR OTHER.
    - INSULATION RESISTANCE: 100MΩMIN;
    - CONTACT RESISTANCE: 40mΩMAX;
    - WITHSTANDING VOLTAGE: 100V AC;
    - OPERATING TEMPERATURE: -25°C TO +85°C.
  - Mechanical:
    - INSERTION Force: 5~20N.
    - EXTRACTION Force: 8~20N.
  - DIMENSIONS MARKED "▼" TO BE CHECKED BY Q.C & IPQC.

4. PART NO.
- |           |        |
|-----------|--------|
| 1-Au 1U*  | 1-PBT  |
| 2-Au 3U*  | 2-PA6T |
| 5-Au 15U* | 3-PA9T |
| 6-Au 30U* | 4-LCP  |

Bill of materials:

NO	PARTS	MATERIAL	QTY	FINISHING
4	SHRAPNEL	STAINLESS STEEL	1	PLATED NICKEL
3	SHELL	STAINLESS STEEL	1	PLATED NICKEL
2	TERMINAL	COPPER ALLOY	6	PLATED GOLD/TIN
1	HOUSING	LCP+30%GF	1	UL94V-0

X. ±0.35	X.* ±2'	UNITS mm
.X ±0.3	.X' ±1'	MAT'L SEE NOTE
.XX ±0.25	.XX'	FINISH SEE NOTE
.XXX ±0.15	.XXX'	Q'TY

THESE DRAWINGS AND SPECIFICATIONS ARE THE PROPERTY OF ACCURATE INNOVATECH INC AND SHALL NOT BE REPRODUCED, COPIED OR USED IN ANY MANNER WITHOUT THE PRIOR WRITTEN CONSENT OF ACCURATE INNOVATECH INC.

廣東科斯達電子科技有限公司

TITLE: USB TYPE C 6P 臥式SMT 6P L6.85mm

PART NO.:

DR: gan 2018/10/25

DWG NO.:

CHKD: gan 2018/10/25

APPD:

SCALE	SHEET	REV.	CUSTOMER DRAWING
1:1	1/1	B	