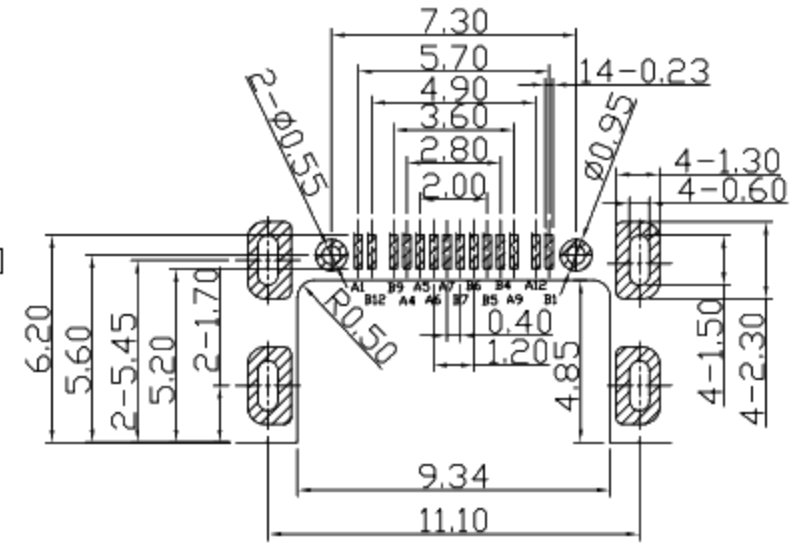
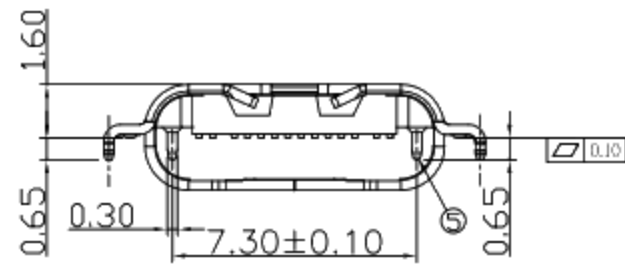
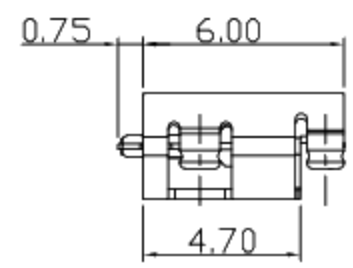
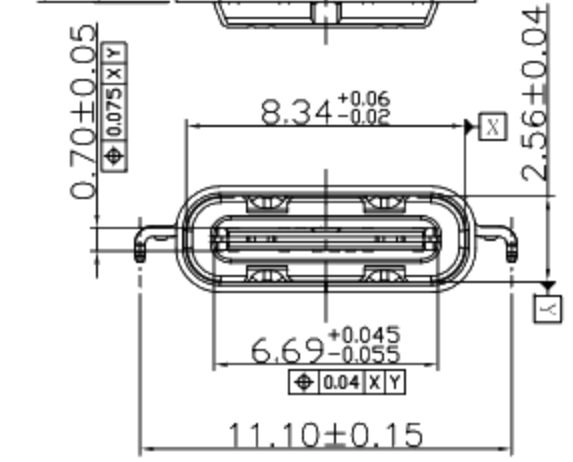
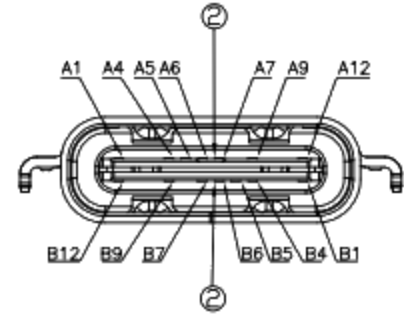
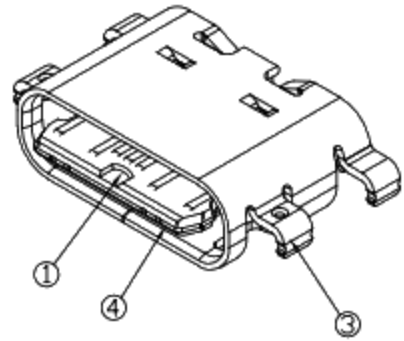
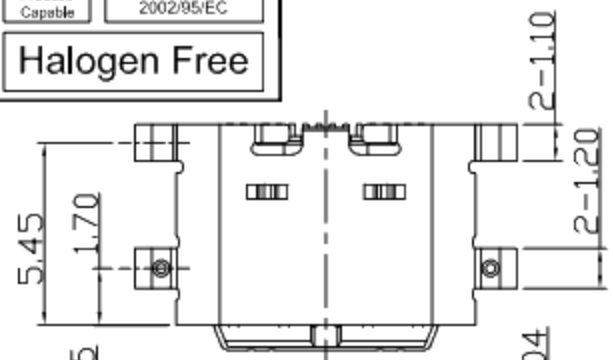
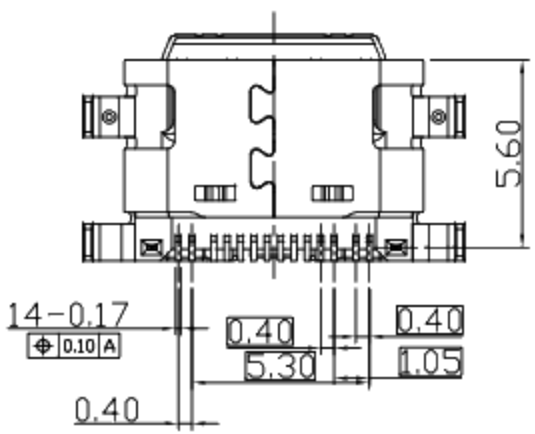


RoHS Compliant
2002/95/EC
Halogen Free

| REV | LTR | DESCRIPTION | DATE | REVISER | APPD |
|-----|-----|-------------|------|---------|------|
| | | | | | |



RECOMMENDED PCB LAYOUT



| | | | |
|-----|-------------|-----|-------------|
| A1 | GND | B12 | GND |
| A4 | VBUS | B9 | VBUS |
| A5 | CC1 | | |
| A6 | DP1 | B7 | DN2 |
| A7 | DN1 | B6 | OP2 |
| | | B5 | CC2 |
| A9 | VBUS | B4 | VBUS |
| A12 | GND | B1 | GND |
| PIN | SIGNAL NAME | PIN | SIGNAL NAME |

NOTES:

- ELECTRICAL:
 - CURRENT RATING: 3AMP MAX;
 - INSULATION RESISTANCE: 100MΩ MIN 250V DC;
 - CONTACT RESISTANCE: INITIAL 40mΩ MAX; AFTER 50mΩ MAX;
 - WITHSTANDING VOLTAGE: 100V AC MIN;
 - OPERATING TEMPERATURE: -40°C TO +80°C.
- Mechanical:
 - Mating Force: 5N~20N MAX.
 - Unmating Force: 8N~20N(INITIAL) 6N~20N(AFTER 10000 CYCLES) MIN.
 - Durability: 200±50 CYCLES/HOUR, 10000 CYCLES.;
- DIMENSIONS MARKED "▼"
TO BE CHECKED BY Q.C & IPQC.

4.PART NO.



Bill of materials:

| NO | PARTS | MATERIAL | QTY | FINISHING | X | X' | UNITS |
|----|-----------|-----------------|-----|--------------------|------------|----------|----------|
| 4 | MID PLATE | STAINLESS STEEL | 1 | PLATED GOLD | .X ±0.38 | .X' ±5' | mm |
| 3 | SHELL | STAINLESS STEEL | 1 | PLATED GOLD/NICKEL | .X ±0.30 | .X' ±3' | MAT'L |
| 2 | TERMINAL | COPPER ALLOY | 14 | PLATED GOLD | .XX ±0.20 | .XX' ±1' | SEE NOTE |
| 1 | INSULATOR | LCP+30%GF | 1 | UL94V-0 | .XXX ±0.10 | .XXX' | FINISH |
| | | | | | | | SEE NOTE |
| | | | | | | | Q'TY |

THESE DRAWINGS AND SPECIFICATIONS ARE THE PROPERTY OF ACCURATE INNOTECH INC AND SHALL NOT BE REPRODUCED, COPIED OR USED IN ANY MANNER WITHOUT THE PRIOR WRITTEN CONSENT OF ACCURATE INNOTECH INC

廣東科斯達電子科技有限公司

| | | | | |
|--|-----------|-------|------|------------------|
| TITLE: USB TYPE CF 2.0 单排14PIN 沉板式 板上1.60mm 短体 | PART NO.: | | | |
| DR: Ricky 2018/1/25 | DWG NO.: | | | |
| CHKD: Ricky 2018/1/25 | SCALE | SHEET | REV. | CUSTOMER DRAWING |
| APPD: | 1:1 | 1/1 | B | |