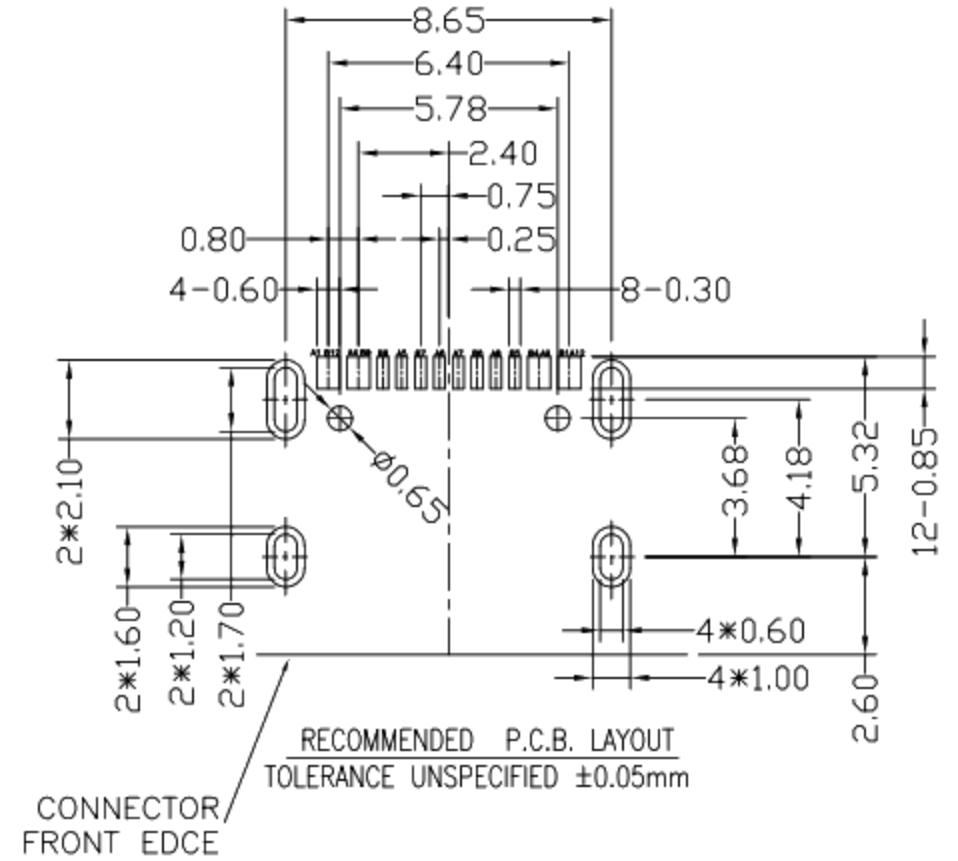
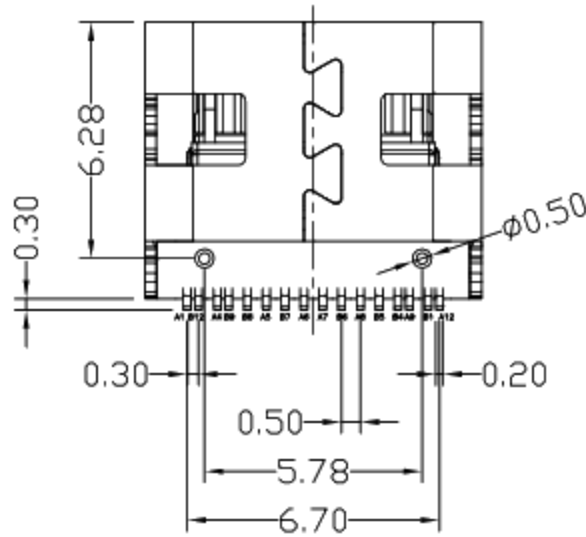
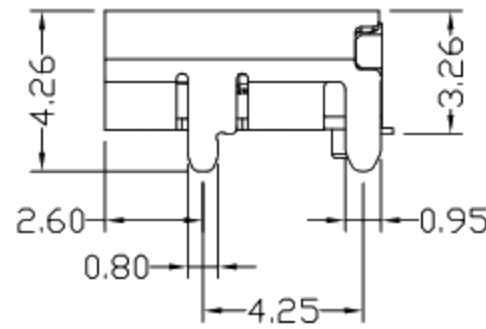
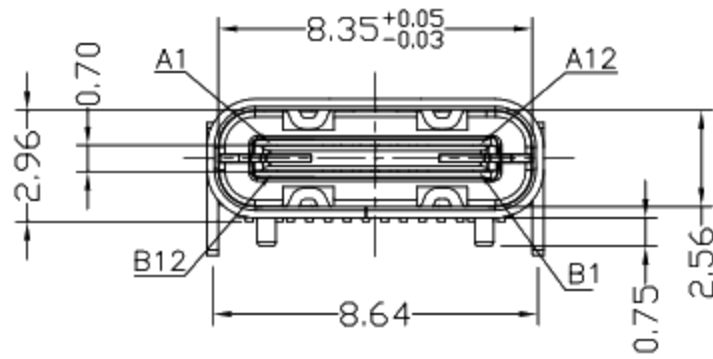
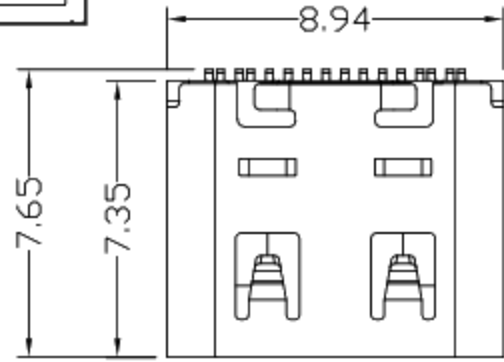




RoHS
Compliant
2002/95/EC

REV.	ECN. NO.	APPD.



RECOMMENDED P.C.B. LAYOUT
TOLERANCE UNSPECIFIED ±0.05mm

CONNECTOR
FRONT EDGE

A1	GND	B12	GND
A4	VBUS	B9	VBUS
A5	CC1	B8	SBU2
A6	DP1	B7	DN2
A7	DN1	B6	DP2
A8	SBU1	B5	CC2
A9	VBUS	B4	VBUS
A12	GND	B1	GND
PIN	SIGNAL NAME	PIN	SIGNAL NAME

NOTES:

1. ELECTRICAL:

- 1) CURRENT RATING: 3AMP MAX;
- 2) INSULATION RESISTANCE: 100MΩ MIN 250V DC;
- 3) CONTACT RESISTANCE: 40mΩ MAX;
- 4) WITHSTANDING VOLTAGE: 100V AC;
- 5) OPERATING TEMPERATURE: -30°C TO +85°C.

2. Mechanical:

- 1) Mating Force: 20N MAX.
- 2) Unmating Force: 6N MIN.

3. DIMENSIONS MARKED "▼"
TO BE CHECKED BY Q.C & IPQC.

4.PART NO.

1-Au 1U'	1-PBT
2-Au 3U'	2-PA6T
5-Au 15u'	3-PA9T
6-Au 30U'	4-LCP

5					.X ±0.30	.X' ±1'	UNITS	mm
4	HOOK	STAINLESS STEEL	1		.XX ±0.20	.XX'	MAT'L	
3	SHELL	STAINLESS STEEL	1	PLATED NICKEL	.XXX ±0.10	.XXX'	SEE NOTE	
2	TERMINAL	COPPER ALLOY	16	PLATED GOLD			SEE NOTE	
1	HOUSING	LCP+30%GF	1	UL94V-0			Q'TY	
NO	PARTS	MATERIAL	QTY	FINISHING	THESE DRAWINGS AND SPECIFICATIONS ARE THE PROPERTY OF ACCURATE INNOTECH INC AND SHALL NOT BE REPRODUCED, COPIED OR USED IN ANY MANNER WITHOUT THE PRIOR WRITTEN CONSENT OF ACCURATE INNOTECH INC			

廣東科斯達電子科技有限公司			
TITLE: USB TYPE CF 短棒7.35 單排16P 四排插板 有彈 尾部鍍金 二次成型		PART NO.:	
DR: <i>Ricky</i> 2017/12/07		DWG NO.:	
CHKD: <i>Ricky</i> 2017/12/07		SCALE SHEET REV. CUSTOMER DRAWING	
APPD:		1:1	1/1 B