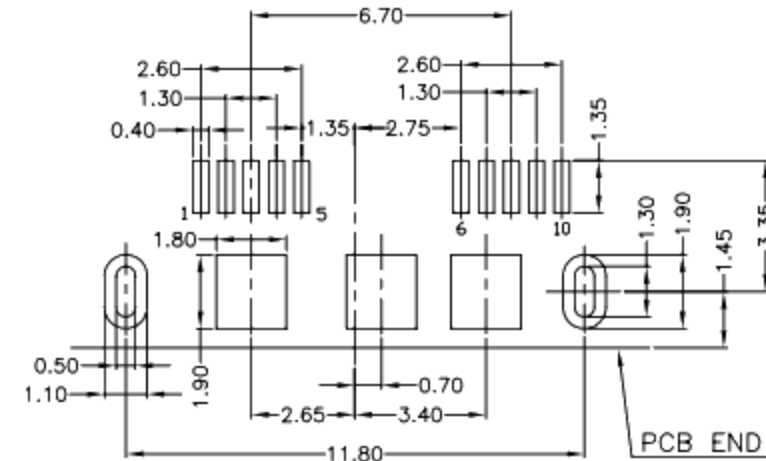
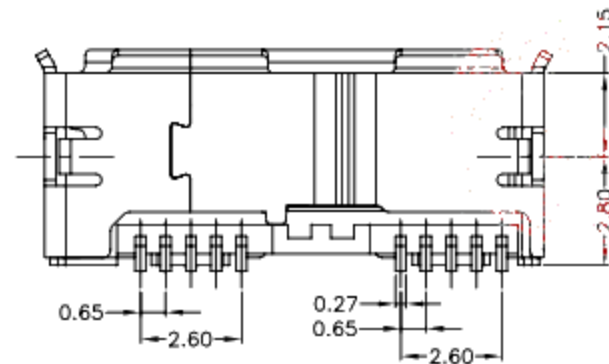
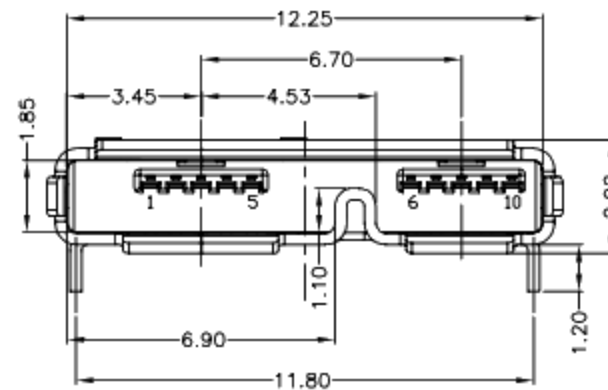
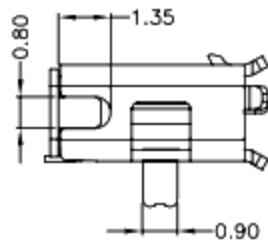
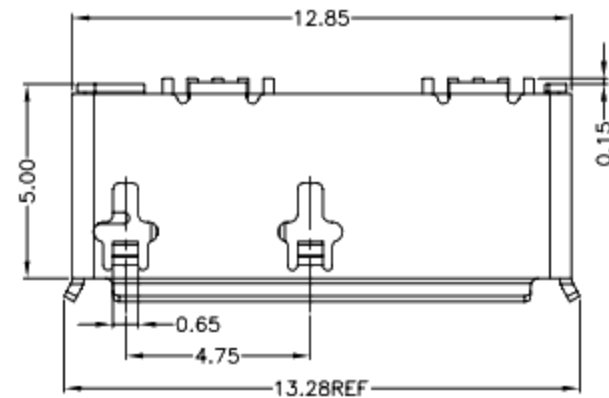




RoHS  
Compliant  
2002/95/EC

REV.	ECN.	NO.	APPD.

PIN NUMBER	SIGNAL NAME
1	VBUS
2	D-
3	D+
4	ID
5	GND
6	MICB_SSTX-
7	MICB_SSTX+
8	GND_DRAIN
9	MICB_SSRX-
10	MICB_SSRX+
Shell	Shield



RECOMMENDED PCB LAYOUT

NOTES:

- ELECTRICAL:
  - VOLTAGE CURRENT RATING: 1.0AMP, 30V AC;
  - INSULATION RESISTANCE: 100MΩ MIN;
  - CONTACT RESISTANCE: 30mΩ MAX;
  - WITHSTANDING VOLTAGE: 500V AC;
  - OPERATING TEMPERATURE: -40°C TO +85°C.
- Mechanical:
  - Mating Force: 35N MAX
  - Unmating Force: 8N MIN.
- NOTE: 1. DIMENSIONS MARKED "▼" TO BE CHECKED BY Q.C & IPQC.

4. PART NO.

1#AU 1U'  
5#AU 15U'  
6#AU 30U'

W: WHITE  
B: BLACK  
BL: BLUE  
1#PT  
2#PAGT  
3#PA9T  
4#LCP

Bill of materials:

NO	PARTS	MATERIAL	QTY	FINISHING
3	SHELL	STAINLESS STEEL	1	PLATED NICKEL
2	HOUSING	LCP	1	UL94V-0
1	TERMINAL	COPPER ALLOY	10	PLATED GOLD/TIN

X.	X'	UNITS
±0.35	±2'	mm
±0.3	±1'	MAT'L
±0.25	±1'	SEE NOTE
±0.15	±1'	FINISH
		SEE NOTE
		Q'TY

**廣東科斯達電子科技有限公司**

TITLE: MICRO USB3.0 AB FEMALE SMT(DIP SHELL)	PART NO.:			
DR: gan 2016/8/30	DWG NO.:			
CHKD: gan 2016/8/30	SCALE	SHEET	REV.	CUSTOMER
APPD:	1:1	1/1	B	DRAWING

THESE DRAWINGS AND SPECIFICATIONS ARE THE PROPERTY OF ACCURATE INNOTECH INC. AND SHALL NOT BE REPRODUCED, COPIED OR USED IN ANY MANNER WITHOUT THE PRIOR WRITTEN CONSENT OF ACCURATE INNOTECH INC.