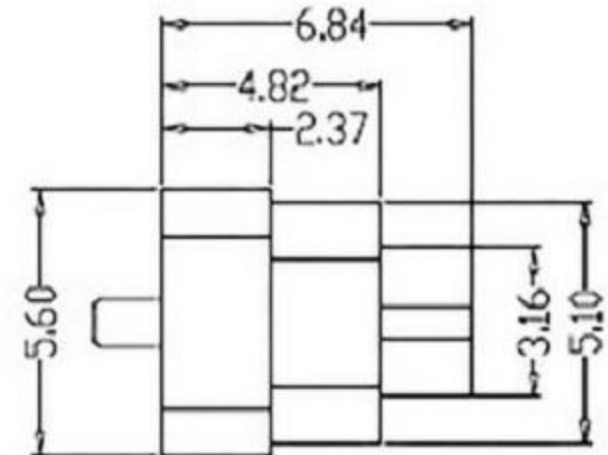
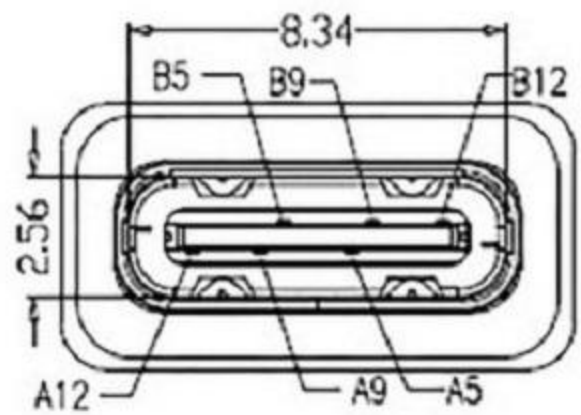
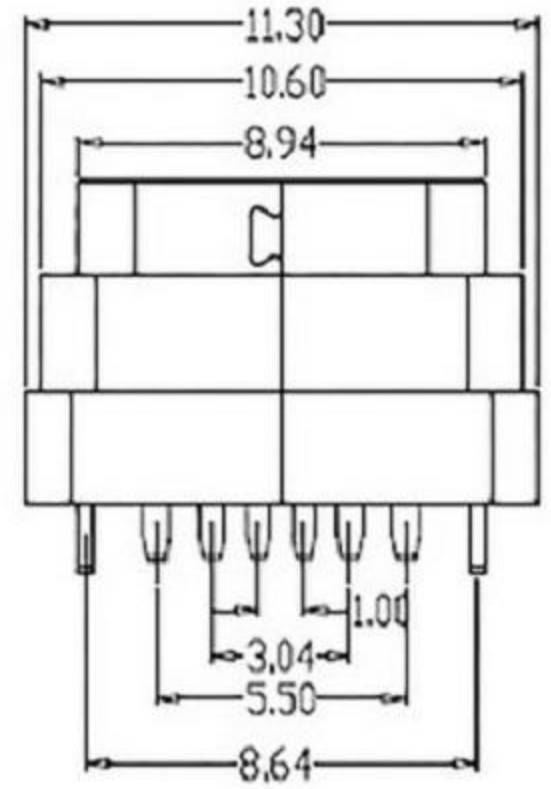


REV.	ECN. NO.	APPD.



INTERFACE(FRONT VIEW)

A1	A2	A3	A4	A5	A6	A7	A8	A9	A10	A11	A12
GND	/	/	VBUS	CC1	DP1	DN1	SBU1	VBUS	/	/	GND
GND	/	/	VBUS	SBU2	DN2	DP2	CC2	VBUS	/	/	GND
B12	B11	B10	B9	B8	B7	B6	B5	B4	B3	B2	B1



NOTES:

SPECIFICATION:

- CURRENT RATING: 3.0A MAX
- DIELECTRIC WITHSTAND VOLTAGE: 100VAC
- TEMPERATURE RANGE: -30 °C ~ 85 °C
- CONTACT RESISTANCE: 40 MILLIONHM MAX
- INSULATION RESISTANCE: 100 MEGOHMS MIN.
- INSERTION FORCE :8N~35N
- UNMATING FORCE: 8N~35N
- DURABILITY:1500 CYCLES

3	Shell	1	SUS 301 1/4H	
3	PLASTIC Shell	1	PA9T&LCP (G.F30%)	
2	Contact	4	BRASS C2680-EH Au/Ni Plating T=0.25mm	
1	Housing	1	PA10T (G.F30%)	
ITEM	PART NAME	Q'TY	FINISH	NOTE

X. ±0.50	X.* ± 2°	UNITS mm	廣東科斯達電子科技有限公司			
.X ±0.30	.X* ± 1°					
.XX ±0.10	.XX* ± 0.5°	MAT'L	PART NO.	TITLE: IP68		
.XXX ± 0.05						
THESE DRAWINGS AND SPECIFICATIONS ARE THE PROPERTY OF E-ZONE ELECTRONIC TECHNOLOGY CO.,LTD.AND SHALL NOT BE REPRODUCED, COPIED OR USED IN ANY MANNER WITHOUT THE PRIOR WRITTEN CONSENT OF E-ZONE ELECTRONIC TECHNOLOGY CO., LTD		FINISH	APPD: RADDM	DWG NO.: USB connector		
			CHKD: MARK			
			Q'TY	DR: JANE CHOU 2019/07/11	SCALE	SHEET
				1/1	1/2	A2