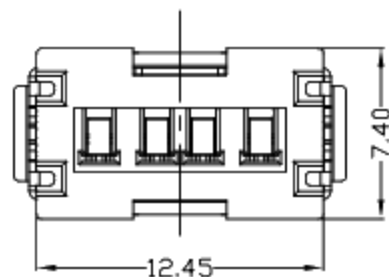
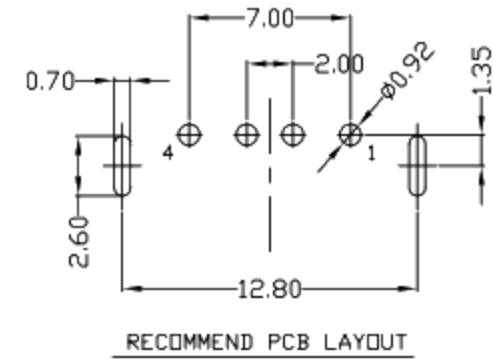
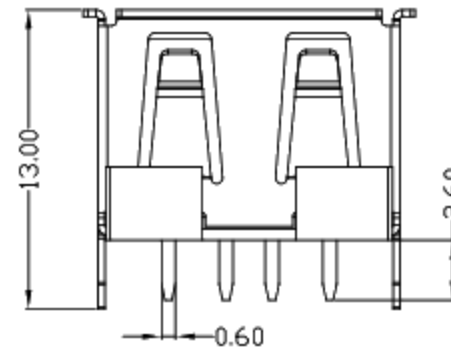
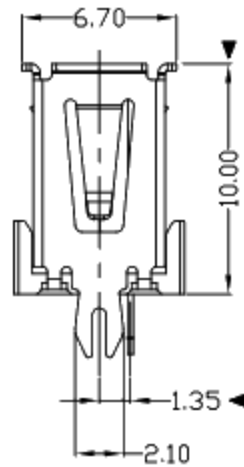
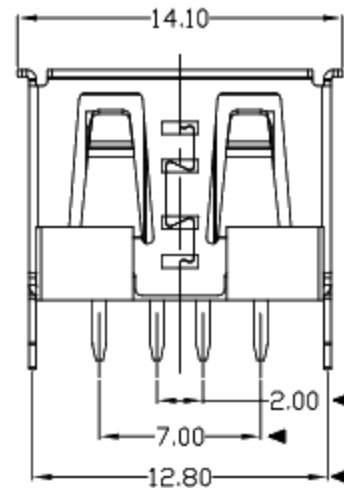
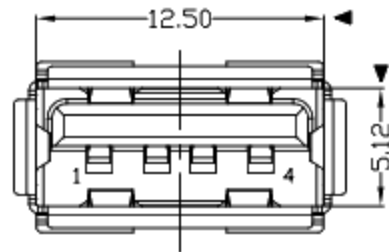




RoHS  
Compliant  
2002/95/EC

| REV. | ECN. | NO. | APPD. |
|------|------|-----|-------|
|      |      |     |       |
|      |      |     |       |
|      |      |     |       |



**NOTES:**

**1. ELECTRICAL:**

- 1) VOLTAGE CURRENT RATING: 2.0AMP,30V AC;
- 2) INSULATION RESISTANCE: 1000MΩ MIN;
- 3) CONTACT RESISTANCE: 30mΩ MAX;
- 4) WITHSTANDING VOLTAGE: 500V AC;
- 5) OPERATING TEMPERATURE: -55°C TO +85°C.

**2. Mechanical:**

- 1) Mating Force: 35N MAX
- 2) Unmating Force: 10N MIN.

**3. DIMENSIONS MARKED "▼" TO BE CHECKED BY Q.C & IPQC.**

4.PART NO.

1-AU 1U\*  
6-AU 30U\*

T:TIN  
N:NICKEL

W:WHITE  
B:BLACK

1:PBT  
2:PA6T  
3:PA9T  
4:LCP

Bill of materials:

|    |          |              |     |                 |
|----|----------|--------------|-----|-----------------|
| 3  | HOUSING  | LCP+30%GF    | 1   | UL94V-0         |
| 2  | SHELL    | COPPER ALLOY | 1   | PLATED NICKEL   |
| 1  | TERMINAL | COPPER ALLOY | 4   | PLATED GOLD/TIN |
| NO | PARTS    | MATERIAL     | QTY | FINISHING       |

| X.   | X.*   | UNITS    |
|--|-------|----------|
| ±0.35  | ±2'   | mm       |
| ±0.3   | ±1'   | MAT'L    |
| .XX±0.25   | .XX'  | SEE NOTE |
| .XXX±0.15  | .XXX' | FINISH   |
| THESE DRAWINGS AND SPECIFICATIONS ARE THE PROPERTY OF ACCURATE INNOTECH INC AND SHALL NOT BE REPRODUCED, COPIED OR USED IN ANY MANNER WITHOUT THE PRIOR WRITTEN CONSENT OF ACCURATE INNOTECH INC |       | SEE NOTE |
| Q'TY   |       | SEE NOTE |

**廣東科斯達電子科技有限公司**

|  |           |       |      |                  |
|--|-----------|-------|------|------------------|
| TITLE:<br>USB AF 1RD* DIP 10.0MM 邊(1.35) | PART NO.: |       |      |                  |
| DR: gan 2017/3/24                        | DWG NO.:  |       |      |                  |
| CHKD: gan 2017/3/24                      | SCALE     | SHEET | REV. | CUSTOMER DRAWING |
| APPD:                                    | 1:1       | 1/1   | B    |                  |