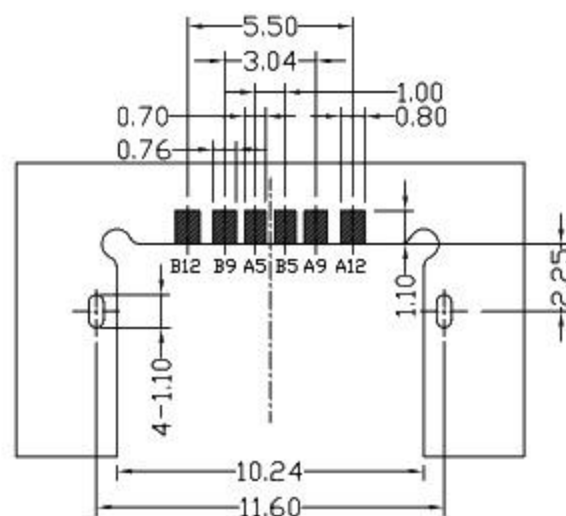
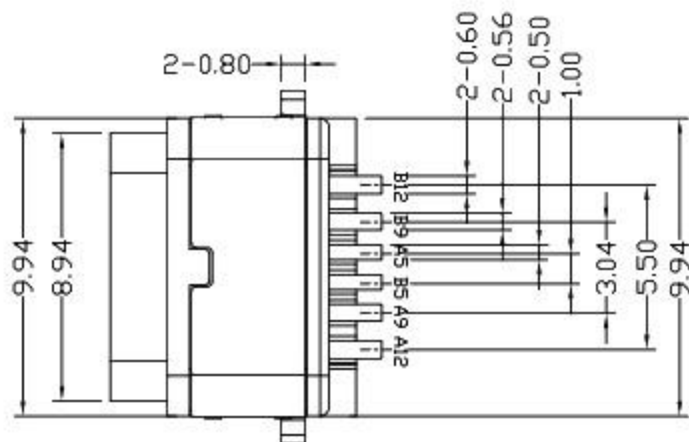
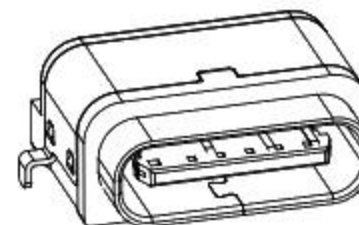
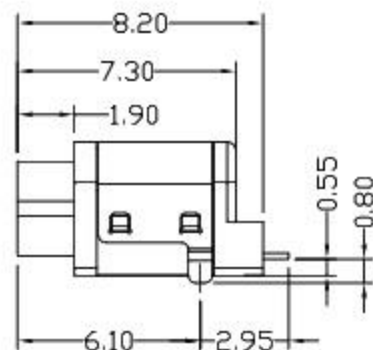
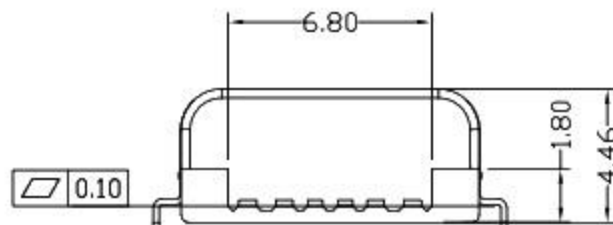
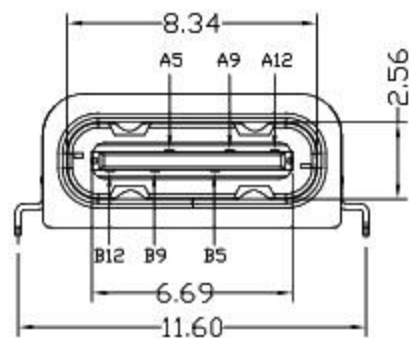
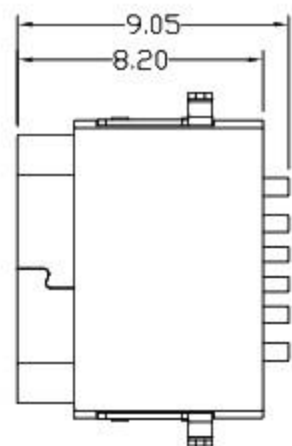


RoHS Compliant



A5	CC1	B12	GND
A9	VBUS	B9	VBUS
A12	GND	B5	CC2
PIN	SIGNAL NAME	PIN	SIGNAL NAME



RECOMMENDED P.C.B. LAYOUT
TOLERANCE UNSPECIFIED ±0.05mm

NOTES:

- 1.ELECTRICAL:
 1)CURRENT RATING: 3A MAX.
 2)INSULATION RESISTANCE: 100MΩ MIN;
 3)CONTACT RESISTANCE: 40mΩ MAX;
 4)WITHSTANDING VOLTAGE: 100V AC
 5)OPERATING TEMPERATURE: -30°C TO +85°C.
- 2.Mechanical:
 1)Mating Force: 5N~20N
 2)Unmating Force: 8N~20N
 3)Durability: 10,000 cycles
- 3.DIMENSIONS MARKED '▼'
 TO BE CHECKED BY Q.C & IPQC.

4.PART NO.

1Au 10μ'	1PBT
2Au 30μ'	2PA6T
5Au 15μ'	3PA9T
6Au 30μ'	4LCP

⑤	MID PLATE	1	STAINLESS STEEL	Au . PLATING.	T=0.15mm
④	SHELL	1	STAINLESS STEEL	Au . PLATING.	T=0.30mm
③	TERMINAL-B	1	TABLE 2:	TABLE 2:	T=0.12mm
②	TERMINAL-A	1	TABLE 2:	TABLE 2:	T=0.12mm
①	INSULATOR	1	HIGH TEMP	Black	

NO.	PART NAME	QTY	MATERIAL	DESCRIPTION	REMARK
-----	-----------	-----	----------	-------------	--------

UNLESS OTHERWISE,
GENERAL TOLERANCE:
 X.xxx ±0.10
 X.xx ±0.20
 X.x ±0.30
 X. ±0.38

ANGULAR:
 X.xx ±1°
 X.x ±3°
 X. ±5°

广东科斯达开关厂

TITLE: USB connector	P/N: Detail See PART NO. LIST
MODEL:	DRAW NO.:
THIRD ANGLE PROJECTION	UNIT: mm
SCALE: 1:1	SIZE: A4
SHEET: 1/1	

JH2016-080	X2	随工程图上升版本次	2016.06.15	陈少兵	DESIGN	陈少兵	2016.06.15
JH2016-071	X1	新增规格	2016.06.10	陈少兵	CHECK	郑小伟	2016.06.15
20151224001	X	NEW DRAWING	2016.05.05	陈少兵	APPROVAL	吕海涛	2016.06.15
ECN NO.	REV.	DESCRIPTION	DATE	CHANGE			