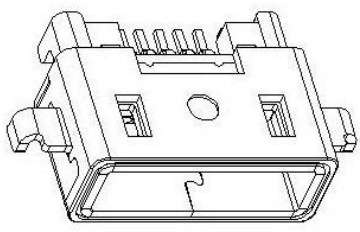
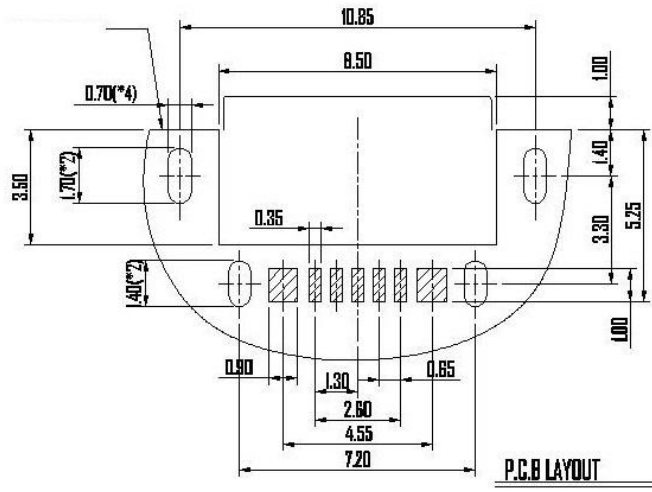
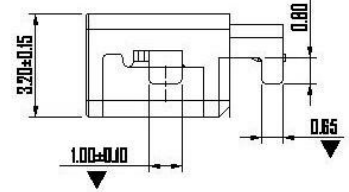
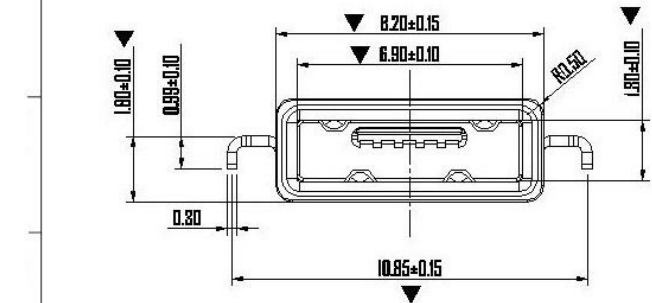
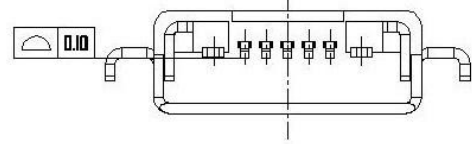
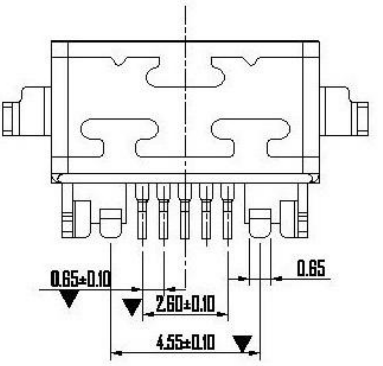
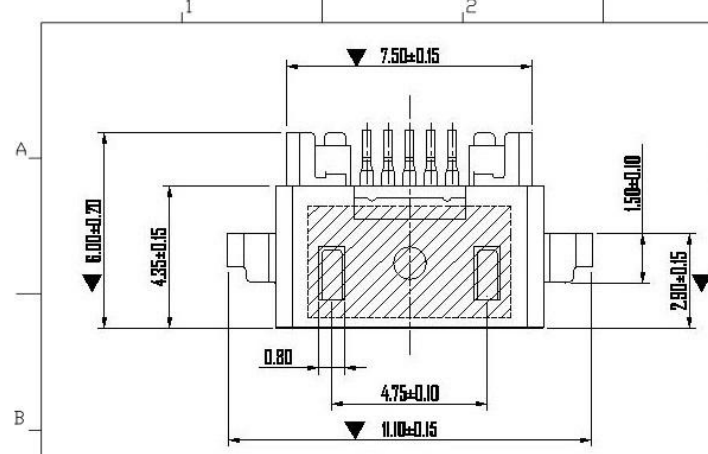


|      |          |       |
|------|----------|-------|
| REV. | ECN. NO. | APPD. |
|      |          |       |



NOTES:  
SPECIFICATION:

1. CURRENT RATING: 3.0A MAX
2. DIELECTRIC WITHSTAND VOLTAGE: 100VAC
3. TEMPERATURE RANGE: -30 °C ~ 85 °C
4. CONTACT RESISTANCE: 40 MILLIONHM MAX
5. INSULATION RESISTANCE: 100 MEGOHMS MIN.
6. INSERTION FORCE :8N~35N
7. UNMATING FORCE: 8N~35N
8. DURABILITY:1500 CYCLES

|      |               |      |  |      |
|------|---------------|------|--|------|
| 3    | Shell         | 1    | SUS 301 1/4H                             |      |
| 3    | PLASTIC Shell | 1    | PA9T&LCP (G.F30%)                        |      |
| 2    | Contact       | 4    | BRASS C2680-EH<br>Au/Ni Plating T=0.25mm |      |
| 1    | Housing       | 1    | PA10T (G.F30%)                           |      |
| ITEM | PART NAME     | Q'TY | FINISH                                   | NOTE |

|  |            |       |   |                                 |
|--|------------|-------|---|---------------------------------|
| X. ±0.50   | X.* ±2°    | UNITS | <b>广东科斯达电子科技有限公司</b><br>KSDKG Guang dong Keside Electronic Technology Co., Ltd. |                                 |
| .X ±0.30   | .X* ±1°    | mm    |   |                                 |
| .XX ±0.10  | .XX* ±0.5° | MAT'L | PART NO.  |                                 |
| .XXX ±0.05   |            |       | TITLE:<br>IP68  |                                 |
| THESE DRAWINGS AND SPECIFICATIONS ARE THE PROPERTY OF E-ZONE ELECTRONIC TECHNOLOGY CO.,LTD.AND SHALL NOT BE REPRODUCED, COPIED OR USED IN ANY MANNER WITHOUT THE PRIOR WRITTEN CONSENT OF E-ZONE ELECTRONIC TECHNOLOGY CO., LTD. |            |       | APPD: RADDOM  |                                 |
|  |            |       | FINISH  | DWG NO:<br><b>USB connector</b> |
|  |            |       | Q'TY  | CHKD: MARK                      |
|  |            |       | DR: JANE CHOU 2019/07/11  |                                 |
|  |            |       | SCALE SHEET REV.<br>1/1 1/2 A2  |                                 |