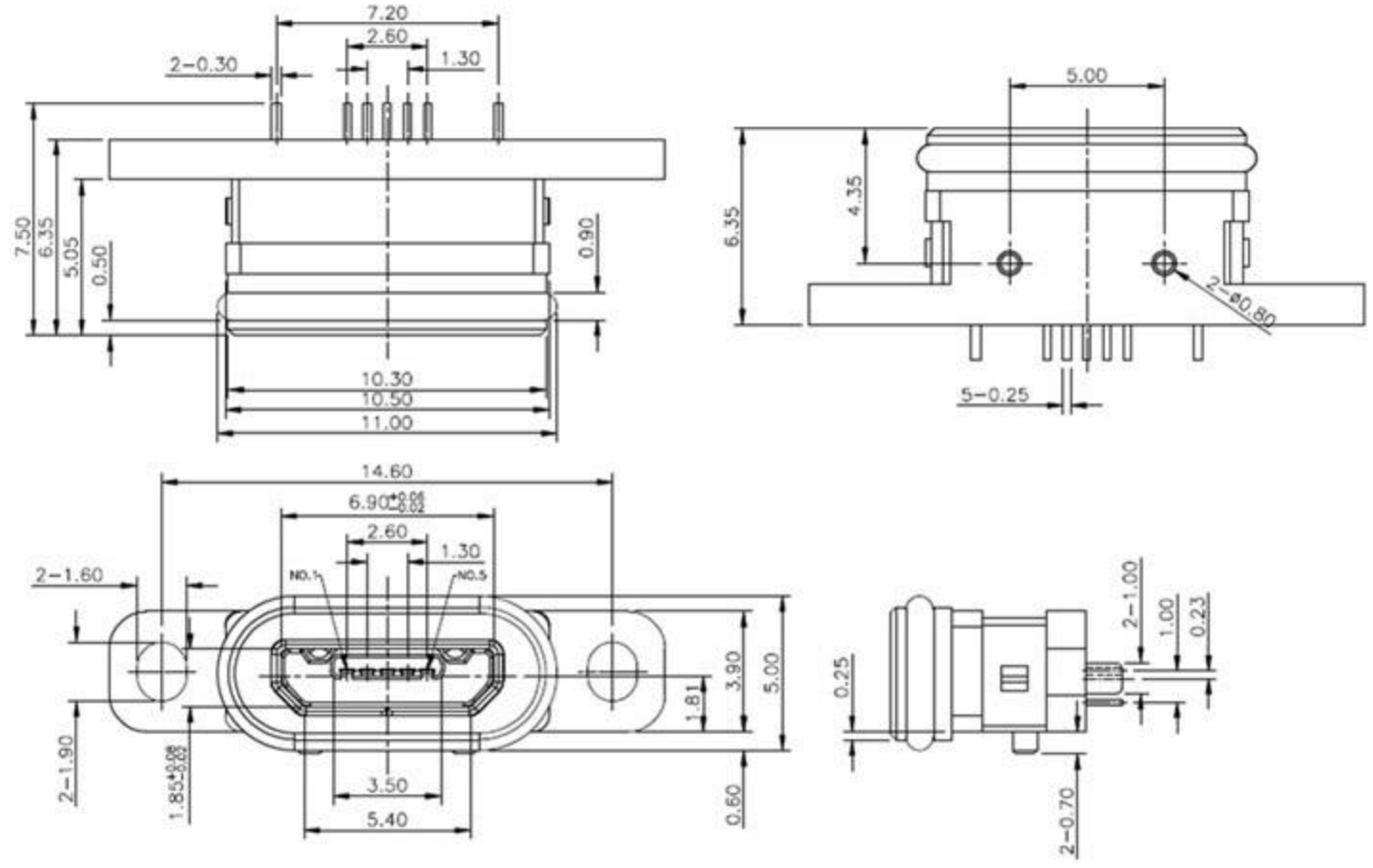
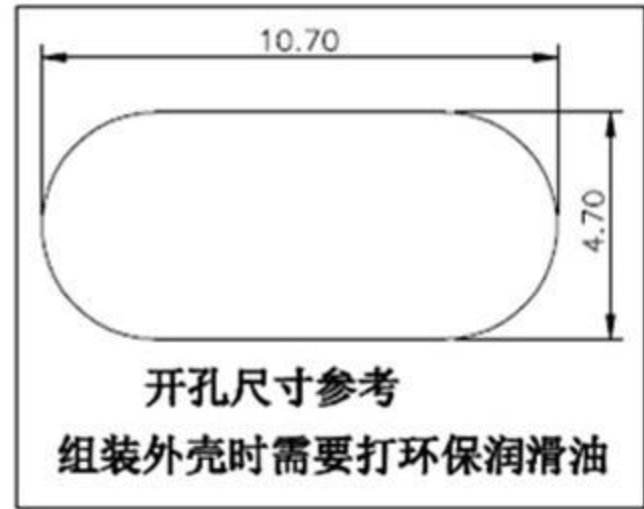
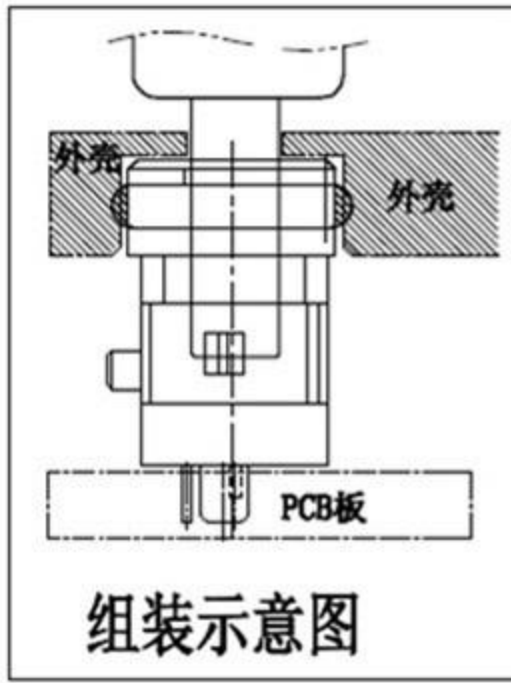


| | | |
|------|----------|-------|
| REV. | ECN. NO. | APPD. |
| | | |



NOTES:

SPECIFICATION:

1. CURRENT RATING: 3.0A MAX
2. DIELECTRIC WITHSTAND VOLTAGE: 100VAC
3. TEMPERATURE RANGE: -30 °C ~ 85 °C
4. CONTACT RESISTANCE: 40 MILLIONHM MAX
5. INSULATION RESISTANCE: 100 MEGOHMS MIN.
6. INSERTION FORCE :8N~35N
7. UNMATING FORCE: 8N~35N
8. DURABILITY:1500 CYCLES

| ITEM | PART NAME | Q'TY | FINISH | NOTE |
|------|---------------|------|--|------|
| 3 | Shell | 1 | SUS 301 1/4H | |
| 3 | PLASTIC Shell | 1 | PA9T&LCP (G.F30%) | |
| 2 | Contact | 4 | BRASS C2680-EH Au/Ni Plating T=0.25mm | |
| 1 | Housing | 1 | PA10T (G.F30%) | |

| | | | | |
|---|-------|------|-------|-------------|
| X. | ±0.50 | X.* | ±2° | UNITS mm |
| .X | ±0.30 | .X* | ±1° | |
| .XX | ±0.10 | .XX* | ±0.5° | MAT'L / |
| .XXX | ±0.05 | | | |
| THESE DRAWINGS AND SPECIFICATIONS ARE THE PROPERTY OF E-ZONE ELECTRONIC TECHNOLOGY CO.,LTD.AND SHALL NOT BE REPRODUCED, COPIED OR USED IN ANY MANNER WITHOUT THE PRIOR WRITTEN CONSENT OF E-ZONE ELECTRONIC TECHNOLOGY CO., LTD | | | | FINISH / |
| | | | | |
| | | | | Q'TY / |

廣東科斯達電子科技有限公司

| | | | | | | | |
|--------------------------|---|-------|-------|------|-----|-----|----|
| PART NO. | TITLE: IP68 | | | | | | |
| APPD: RADDM | DWG NO.: | | | | | | |
| CHKD: MARK | USB connector | | | | | | |
| DR: JANE CHOU 2019/07/11 | <table border="1"> <tr> <td>SCALE</td> <td>SHEET</td> <td>REV.</td> </tr> <tr> <td>1/1</td> <td>1/2</td> <td>A2</td> </tr> </table> | SCALE | SHEET | REV. | 1/1 | 1/2 | A2 |
| SCALE | SHEET | REV. | | | | | |
| 1/1 | 1/2 | A2 | | | | | |