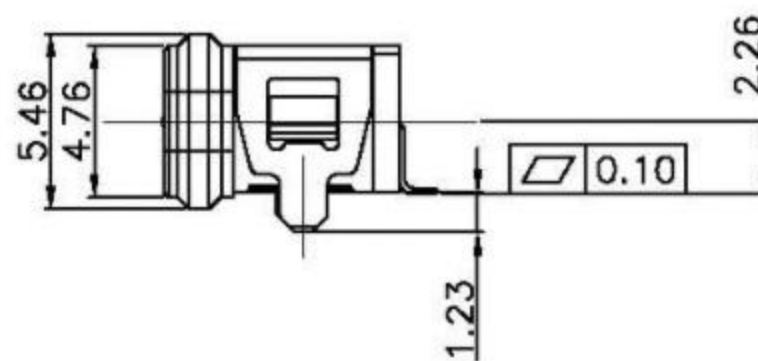
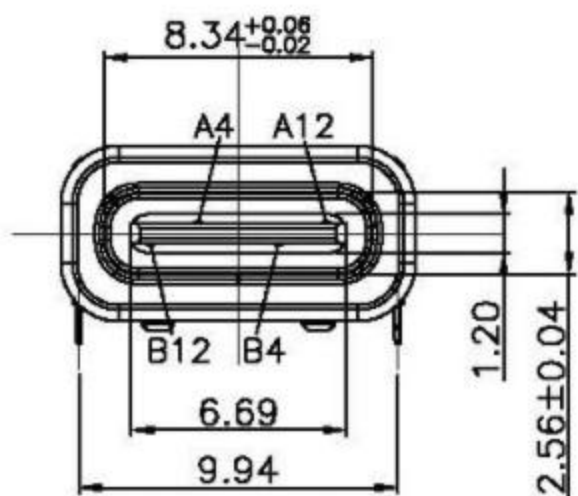
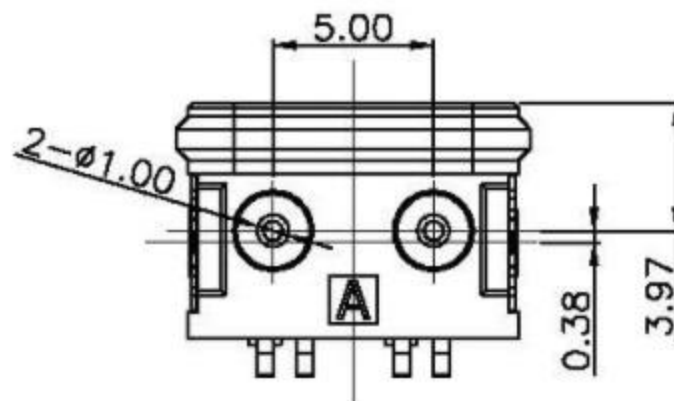
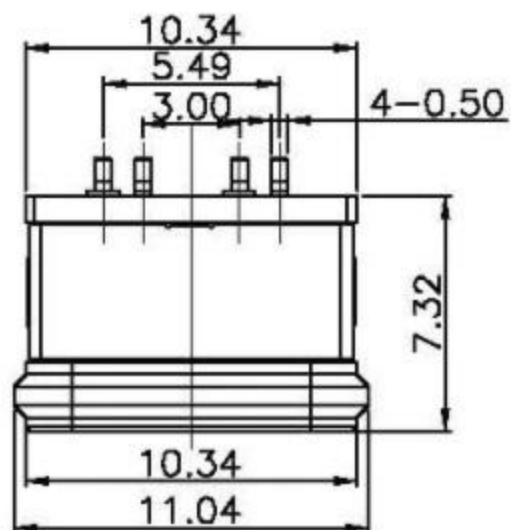


RoHS Compliant



| ⑤   | MID PLATE  | 1   | STAINLESS STEEL | Au . PLATING. | T=0.15mm |
|-----|------------|-----|-----------------|---------------|----------|
| ④   | SHELL      | 1   | STAINLESS STEEL | Au . PLATING. | T=0.30mm |
| ③   | TERMINAL-B | 1   | TABLE 2:        | TABLE 2:      | T=0.12mm |
| ②   | TERMINAL-A | 1   |                 |               | T=0.12mm |
| ①   | INSULATOR  | 1   | HIGH TEMP       | Black         |          |
| NO. | PART NAME  | QTY | MATERIAL        | DESCRIPTION   | REMARK   |

UNLESS OTHERWISE,  
GENERAL TOLERANCE:

X.xxx ±0.10  
X.xx ±0.20  
X.x ±0.30  
X. ±0.38

ANGULAR:

X.xx ±1°  
X.x ±3°  
X. ±5°

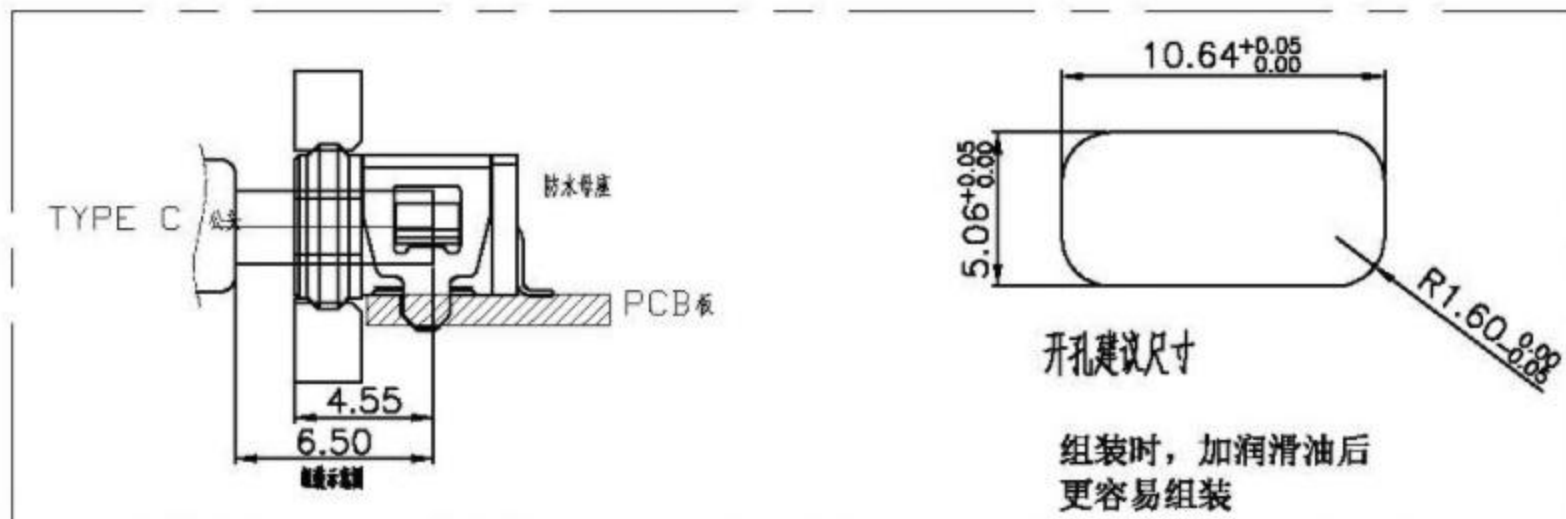
广东科斯达开关厂

TITLE: USB connector  
P/N: Detail See PART NO. LIST  
MODEL:  
DRAW NO.:

THIRD ANGLE PROJECTION  
UNIT: mm  
SCALE: 1:1  
SIZE: A4  
SHEET: 1/1

| JH2016-080  | X2   | 随工程图上升版本次   | 2016.06.15 | 陈少兵    | DESIGN   | 陈少兵 | 2016.06.15 |
|-------------|------|-------------|------------|--------|----------|-----|------------|
| JH2016-071  | X1   | 新增规格        | 2016.06.10 | 陈少兵    | CHECK    | 郑小伟 | 2016.06.15 |
| 20151224001 | X    | NEW DRAWING | 2016.05.05 | 陈少兵    | APPROVAL | 吕海涛 | 2016.06.15 |
| ECN NO.     | REV. | DESCRIPTION | DATE       | CHANGE | APPROVAL | 吕海涛 | 2016.06.15 |

RoHS Compliant



|     |             |     |             |
|-----|-------------|-----|-------------|
| A4  | VBUS        | B12 | GND         |
| A12 | GND         | B4  | VBUS        |
| PIN | SIGNAL NAME | PIN | SIGNAL NAME |



| ⑤   | MID PLATE  | 1   | STAINLESS STEEL | Au . PLATING. | T=0.15mm |
|-----|------------|-----|-----------------|---------------|----------|
| ④   | SHELL      | 1   | STAINLESS STEEL | Au . PLATING. | T=0.30mm |
| ③   | TERMINAL-B | 1   | TABLE 2:        | TABLE 2:      | T=0.12mm |
| ②   | TERMINAL-A | 1   |                 |               | T=0.12mm |
| ①   | INSULATOR  | 1   | HIGH TEMP       | Black         |          |
| NO. | PART NAME  | QTY | MATERIAL        | DESCRIPTION   | REMARK   |

UNLESS OTHERWISE, GENERAL TOLERANCE:


X.xxx ±0.10  
 X.xx ±0.20  
 X.x ±0.30  
 X. ±0.38

ANGULAR:

X.xx ±1°  
 X.x ±3°  
 X. ±5°

广东科斯达开关厂

TITLE: USB connector  
 P/N: Detail See PART NO. LIST  
 MODEL:  
 DRAW NO.:

THIRD ANGLE PROJECTION  
 UNIT: mm SCALE: 1:1 SIZE: A4 SHEET: 1/1

| JH2016-080  | X2   | 随工程图上升版本次   | 2016.06.15 | 陈少兵    | DESIGN   | 陈少兵 | 2016.06.15 |
|-------------|------|-------------|------------|--------|----------|-----|------------|
| JH2016-071  | X1   | 新增规格        | 2016.06.10 | 陈少兵    | CHECK    | 郑小伟 | 2016.06.15 |
| 20151224001 | X    | NEW DRAWING | 2016.05.05 | 陈少兵    | APPROVAL | 吕海涛 | 2016.06.15 |
| ECN NO.     | REV. | DESCRIPTION | DATE       | CHANGE | APPROVAL | 吕海涛 | 2016.06.15 |