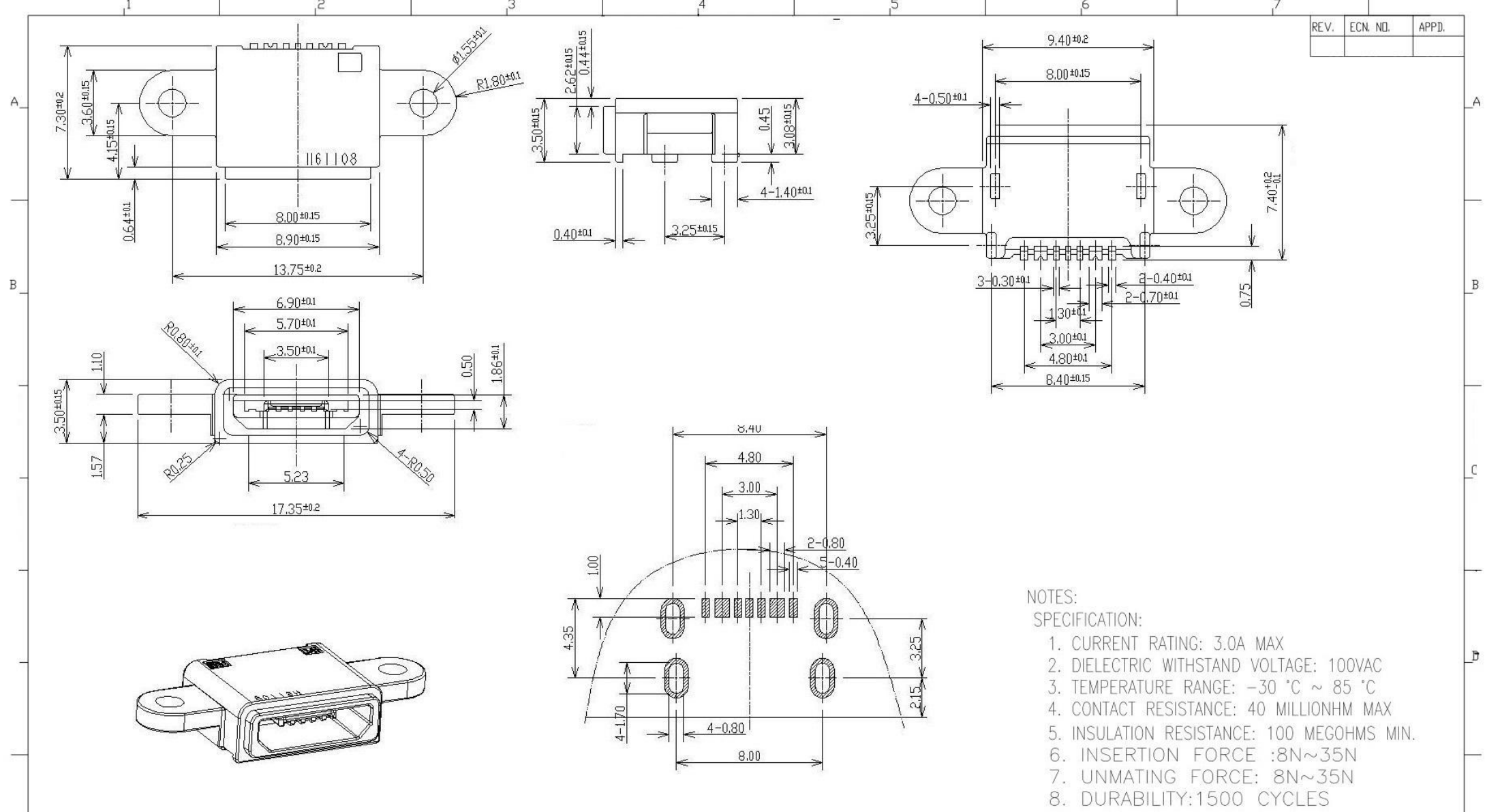


REV.	ECN. NO.	APPD.



- NOTES:
SPECIFICATION:
- CURRENT RATING: 3.0A MAX
 - DIELECTRIC WITHSTAND VOLTAGE: 100VAC
 - TEMPERATURE RANGE: -30 °C ~ 85 °C
 - CONTACT RESISTANCE: 40 MILLIONHM MAX
 - INSULATION RESISTANCE: 100 MEGOHMS MIN.
 - INSERTION FORCE :8N~35N
 - UNMATING FORCE: 8N~35N
 - DURABILITY:1500 CYCLES

3	Shell	1	SUS 301 1/4H	
3	PLASTIC Shell	1	PA9T&LCP (G.F30%)	
2	Contact	4	BRASS C2680-EH Au/Ni Plating T=0.25mm	
1	Housing	1	PA10T (G.F30%)	
ITEM	PART NAME	Q'TY	FINISH	NOTE

X	±0.50	X*	±2*	UNITS mm	广东科斯达电子科技有限公司 KSDRG Guang dong Keside Electronic Technology Co., Ltd.	
.X	±0.30	.X*	±1*			
.XX	±0.10	.XX*	±0.5*	MAT'L /	PART NO.	TITLE: IP68
.XXX	±0.05				APPD: RADDOM	DWG NO: USB connector
THESE DRAWINGS AND SPECIFICATIONS ARE THE PROPERTY OF E-ZONE ELECTRONIC TECHNOLOGY CO.,LTD.AND SHALL NOT BE REPRODUCED, COPIED OR USED IN ANY MANNER WITHOUT THE PRIOR WRITTEN CONSENT OF E-ZONE ELECTRONIC TECHNOLOGY CO., LTD					FINISH /	CHKD: MARK
					Q'TY /	DR: JANE CHOU 2019/07/11