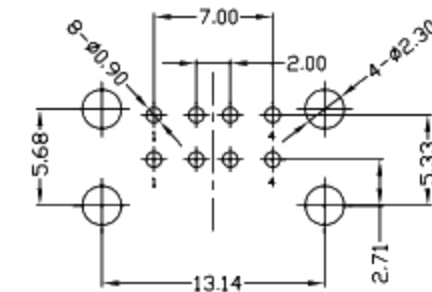
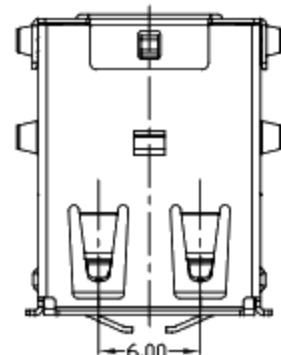


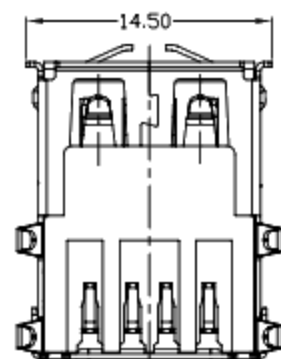
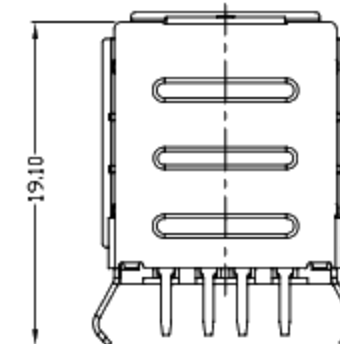
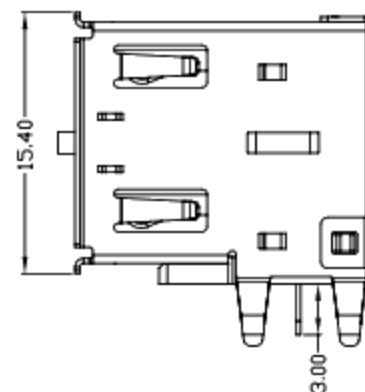
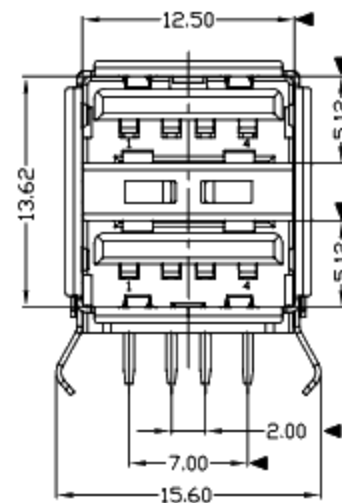
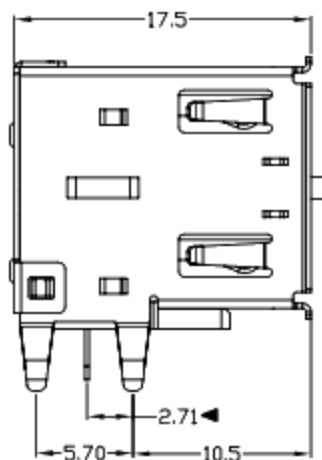


RoHS
Compliant
2002/95/EC

REV	LTR	DESCRIPTION



RECOMMENDED PCB LAYOUT



NOTES:

- ELECTRICAL:
 - VOLTAGE CURRENT RATING: 2AMP, 30V AC;
 - INSULATION RESISTANCE: 1000MΩ MIN;
 - CONTACT RESISTANCE: 30mΩ MAX;
 - WITHSTANDING VOLTAGE: 500V AC;
 - OPERATING TEMPERATURE: -55°C TO +85°C.
- Mechanical:
 - Mating Force: 35N MAX
 - Unmating Force: 10N MIN.
- NOTE: 1. DIMENSIONS MARKED "▼" TO BE CHECKED BY Q.C & IPQC.

4. PART NO.

1-Au 1U*
6-Au 30U*

W: WHITE
B: BLACK
1: PBT
2: PA6T
3: PA9T
4: LCP

Bill of materials:

NO	PARTS	MATERIAL	QTY	FINISHING
5	CLIP	COPPER ALLOY	1	PLATED NICKEL
4	BACK COVER	SPCC	1	PLATED NICKEL
3	HOUSING	PBT	1	UL94V-0
2	SHELL	COPPER ALLOY	1	PLATED NICKEL
1	TERMINAL	COPPER ALLOY	8	PLATED GOLD/TIN

X.	X.* ±2'	UNITS	mm
.X ±0.35	.X.* ±2'	MAT'L	SEE NOTE
.X ±0.3	.X.* ±1'	FINISH	SEE NOTE
.XX ±0.25	.XX.*	Q'TY	SEE NOTE
.XXX ±0.15	.XXX.*	THESE DRAWINGS AND SPECIFICATIONS ARE THE PROPERTY OF ACCURATE INNOTECH INC AND SHALL NOT BE REPRODUCED, COPIED OR USED IN ANY MANNER WITHOUT THE PRIOR WRITTEN CONSENT OF ACCURATE INNOTECH INC	

廣東科斯達電子科技有限公司

TITLE: USB AF 90° DTP 双层半包 双内弹	PART NO.:
DR: gan 2012/6/30	DWG NO.:
CHKD: gan 2012/6/30	SCALE: 1:1
APPD:	SHEET: 1/1
	REV: B
	CUSTOMER DRAWING