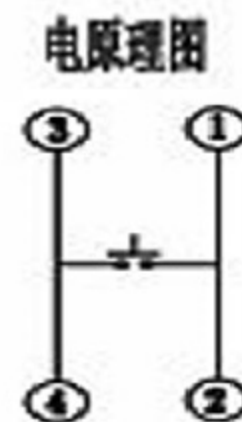
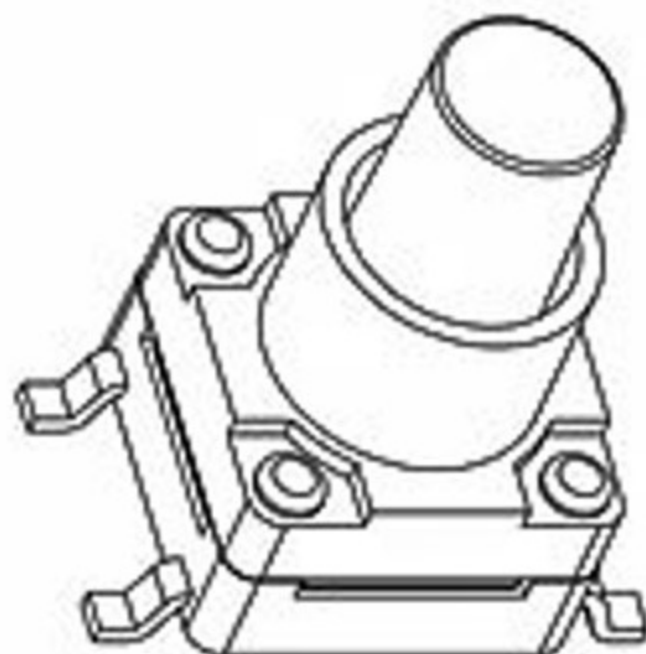
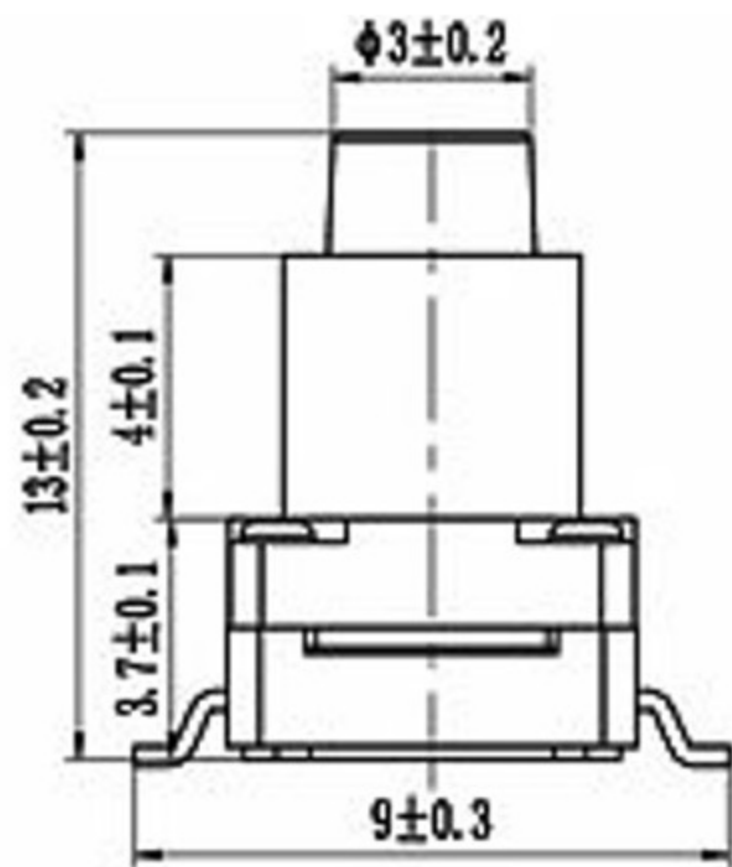


- 技术参数:
1. 做用温度:  $-25\sim+85^{\circ}\text{C}$ ;
  2. 额定负荷: DC 12V 50mA;
  3. 接触电阻:  $\leq 50\text{m}\Omega$ ;
  4. 绝缘电阻:  $\geq 100\text{M}\Omega$ ;
  5. 耐 压: AC250V (50Hz)/min;
  6. 动 作 力:  $180\text{g}\pm 50\text{g}$ ;
  7. 使用寿命: 100000次;
  8. 未注尺寸公差参照下面表格。



# 广东科斯达开关厂

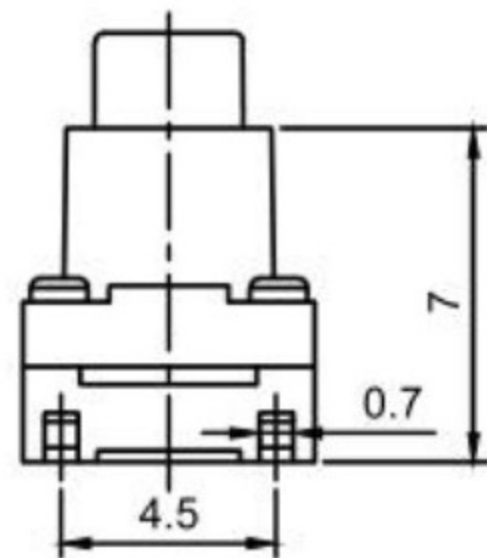
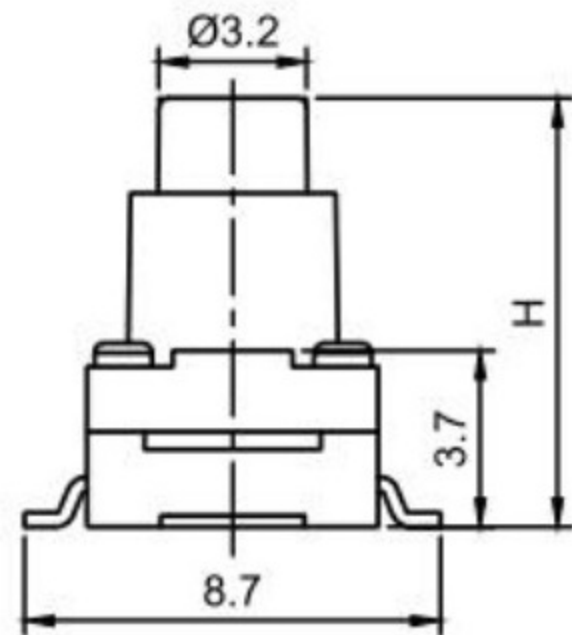
TITLE : TACT SWITCH

MODEL :

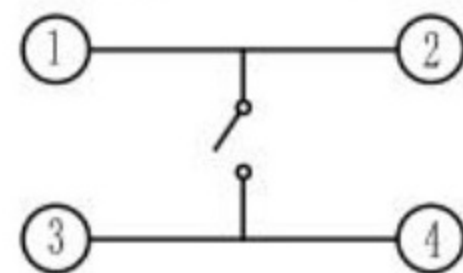
DRAWING NO.

UNIT : M M	DWN.	LSX	2015-02-18	GENERAL TOLERANCE
SCALE : 5 : 1	CHK' D	LJ	2015-02-18	WITHIN 1.5mm±0.1mm
LEVEL 1	REV R1	APPD.	2015-02-18	OVER 1.5mm±0.2mm

9				
8				
7				
6	CAP	ABS/PC	1	SLIVER /BLACK
5	CONTACT	PBS	1	Ag CLAD
4	TERMINAL	BRASS STRIP	4	Ag PLATED
3	BASE	PA66	1	BLACK
2	COVER	PET	1	NATURAL
1	KNOB	PA66	1	WHITE
NO.	PART NAME	MATERIAL	QTY.	FINISHING

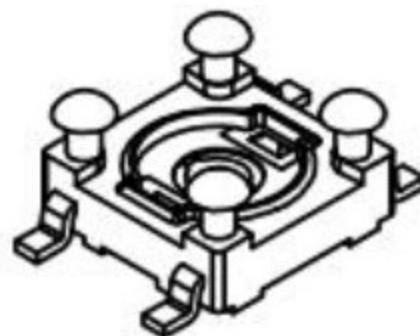
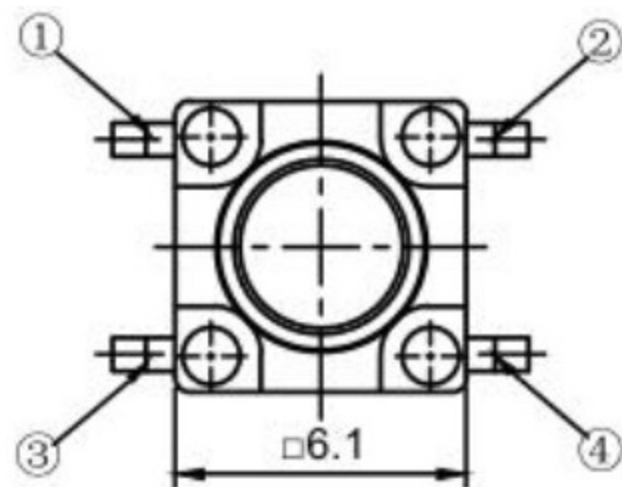


CIRCUIT DIAGRAM

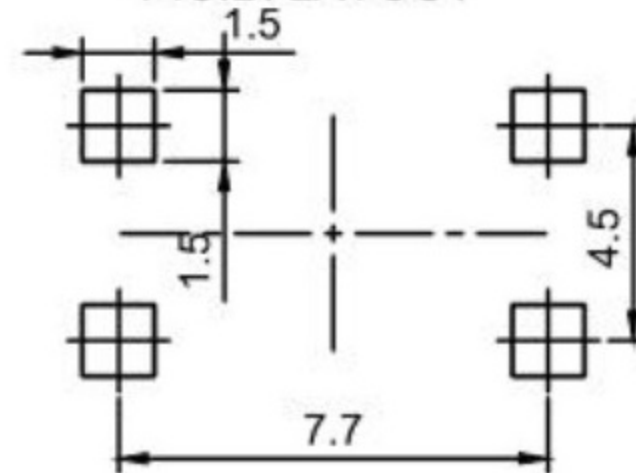


技术参数:

1. 做用温度: -25~+85℃;
2. 额定负荷: DC 12V 50mA;
3. 接触电阻: ≤50mΩ;
4. 绝缘电阻: ≥100MΩ;
5. 耐 压: AC250V(50Hz)/min;
6. 动 作 力: 180g±50g;
7. 使用寿命: 100000次;
8. 未注尺寸公差参照下面表格。



P.C.B. LAYOUT



H	4.3	4.5	5.5	6	6.5	7	7.5	8	8.5	9	9	9.5	10	10.5
H	11	11.5	12	12.5	13	13.5	14	14.5	15	15.5	16	16.5	17	



广东科斯达开关厂

TITLE : TACT SWITCH

MODEL :

DRAWING NO.

UNIT : M M	DWN.	LSX	2015-02-18	GENERAL TOLERANCE
SCALE : 5 : 1	CHK' D	LJ	2015-02-18	WITHIN 1.5mm±0.1mm
LEVEL 1	REV R1	APPD.	2015-02-18	OVER 1.5mm±0.2mm

9				
8				
7				
6	CAP	ABS/PC	1	SLIVER /BLACK
5	CONTACT	PBS	1	Ag CLAD
4	TERMINAL	BRASS STRIP	4	Ag PLATED
3	BASE	PA66	1	BLACK
2	COVER	PET	1	NATURAL
1	KNOB	PA66	1	WHITE
NO.	PART NAME	MATERIAL	QTY.	FINISHING