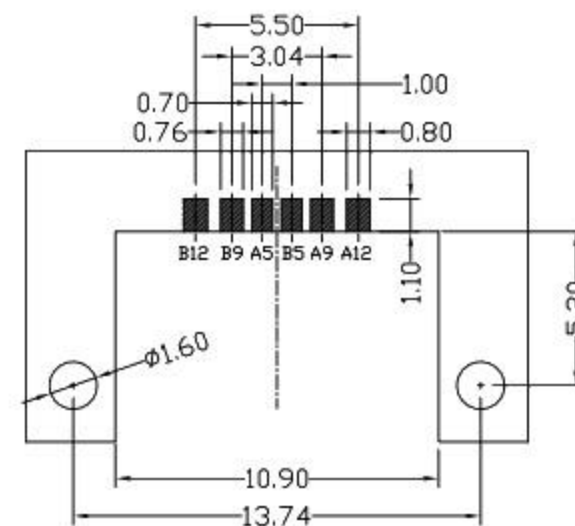
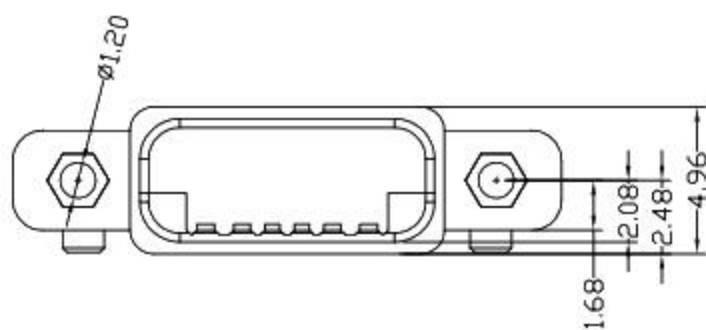
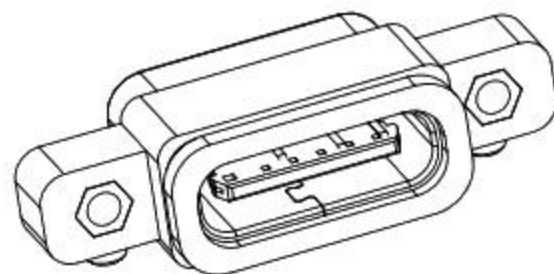
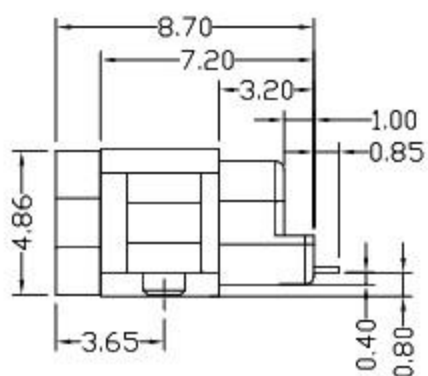
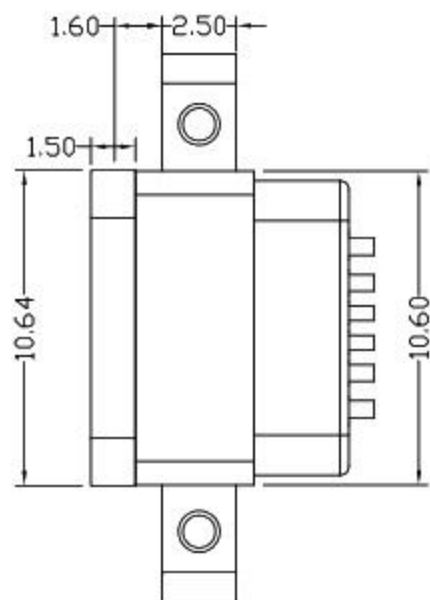
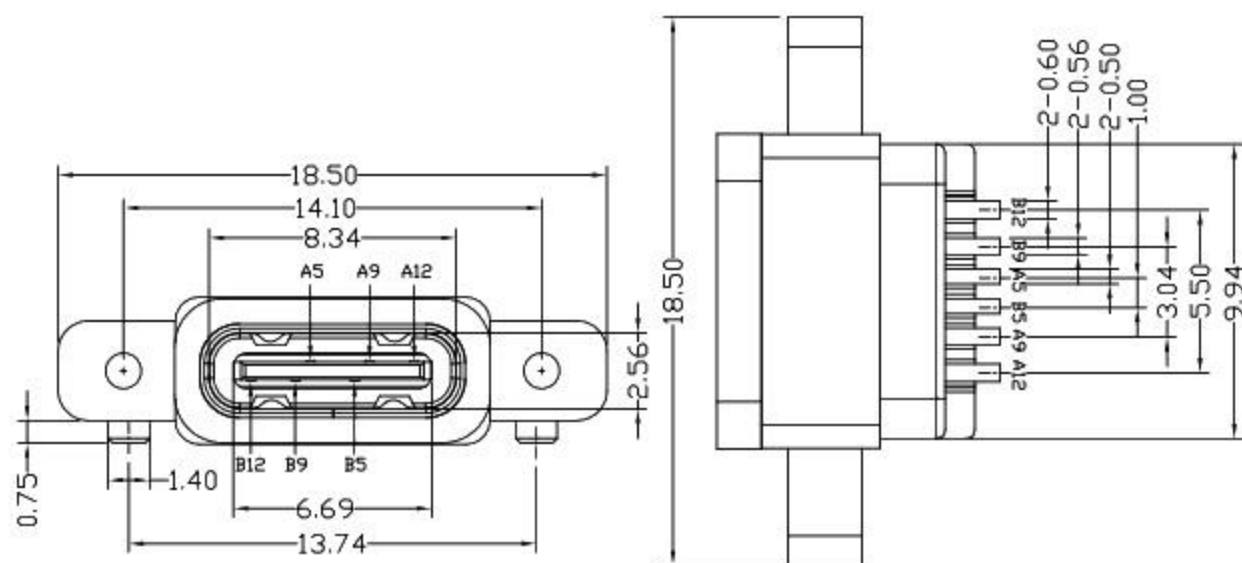


RoHS Compliant

| | | | |
|-----|-------------|-----|-------------|
| A5 | CC1 | B12 | GND |
| A9 | VBUS | B9 | VBUS |
| A12 | GND | B5 | CC2 |
| PIN | SIGNAL NAME | PIN | SIGNAL NAME |



RECOMMENDED P.C.B. LAYOUT
TOLERANCE UNSPECIFIED ±0.05mm



NOTES:

1.ELECTRICAL:

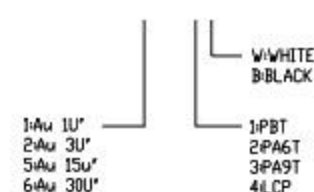
- CURRENT RATING: 3A MAX.
- INSULATION RESISTANCE: 100MΩ MIN;
- CONTACT RESISTANCE: 40mΩ MAX;
- WITHSTANDING VOLTAGE: 100V AC
- OPERATING TEMPERATURE: -30°C TO +85°C.

2.Mechanical:

- Mating Force: 5N~20N
- Unmating Force: 8N~20N
- Durability: 10,000 cycles

3.DIMENSIONS MARKED '▼'
TO BE CHECKED BY Q.C & IPQC.

4.PART NO.



| ⑤ | MID PLATE | 1 | STAINLESS STEEL | Au . PLATING. | T=0.15mm |
|-----|------------|-----|-----------------|---------------|----------|
| ④ | SHELL | 1 | STAINLESS STEEL | Au . PLATING. | T=0.30mm |
| ③ | TERMINAL-B | 1 | TABLE 2: | TABLE 2: | T=0.12mm |
| ② | TERMINAL-A | 1 | TABLE 2: | TABLE 2: | T=0.12mm |
| ① | INSULATOR | 1 | HIGH TEMP | Black | |
| NO. | PART NAME | QTY | MATERIAL | DESCRIPTION | REMARK |

UNLESS OTHERWISE,
GENERAL TOLERANCE:

| | |
|-------|-------|
| X.xxx | ±0.10 |
| X.xx | ±0.20 |
| X.x | ±0.30 |
| X. | ±0.38 |

ANGULAR:

| | |
|------|-----|
| X.xx | ±1° |
| X.x | ±3° |
| X. | ±5° |

广东科斯达开关厂

| | | | | |
|------------------------|-------------------------------|--------|-------|--------|
| TITLE: | P/N: Detail See PART NO. LIST | | | |
| USB connector | MODEL: | | | |
| | DRAW NO.: | | | |
| THIRD ANGLE PROJECTION | UNIT: | SCALE: | SIZE: | SHEET: |
| | mm | 1:1 | A4 | 1/1 |

| JH2016-080 | X2 | 随工程图上升版本次 | 2016.06.15 | 陈少兵 | DESIGN | 陈少兵 | 2016.06.15 |
|-------------|------|-------------|------------|--------|----------|-----|------------|
| JH2016-071 | X1 | 新增规格 | 2016.06.10 | 陈少兵 | CHECK | 郑小伟 | 2016.06.15 |
| 20151224001 | X | NEW DRAWING | 2016.05.05 | 陈少兵 | APPROVAL | 吕海涛 | 2016.06.15 |
| ECN NO. | REV. | DESCRIPTION | DATE | CHANGE | APPROVAL | 吕海涛 | 2016.06.15 |