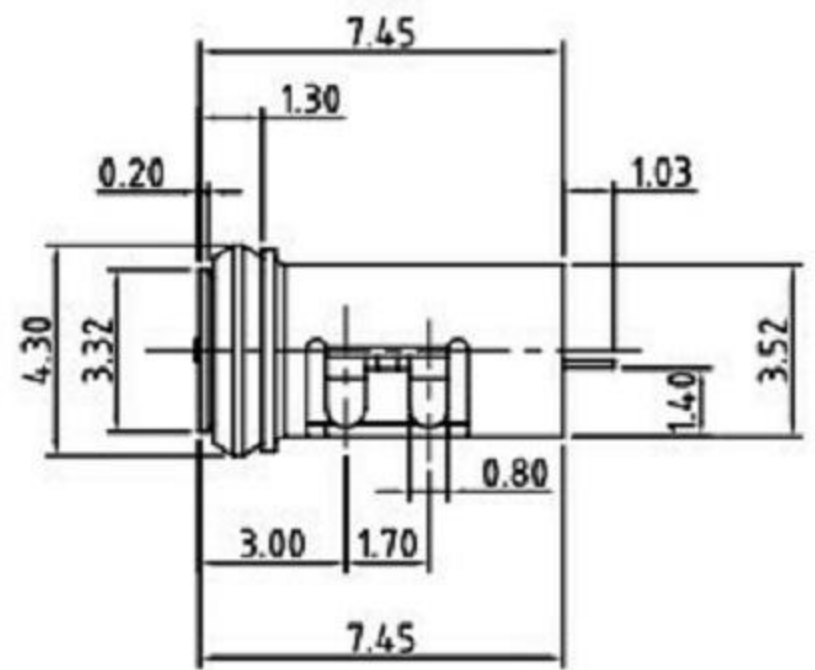
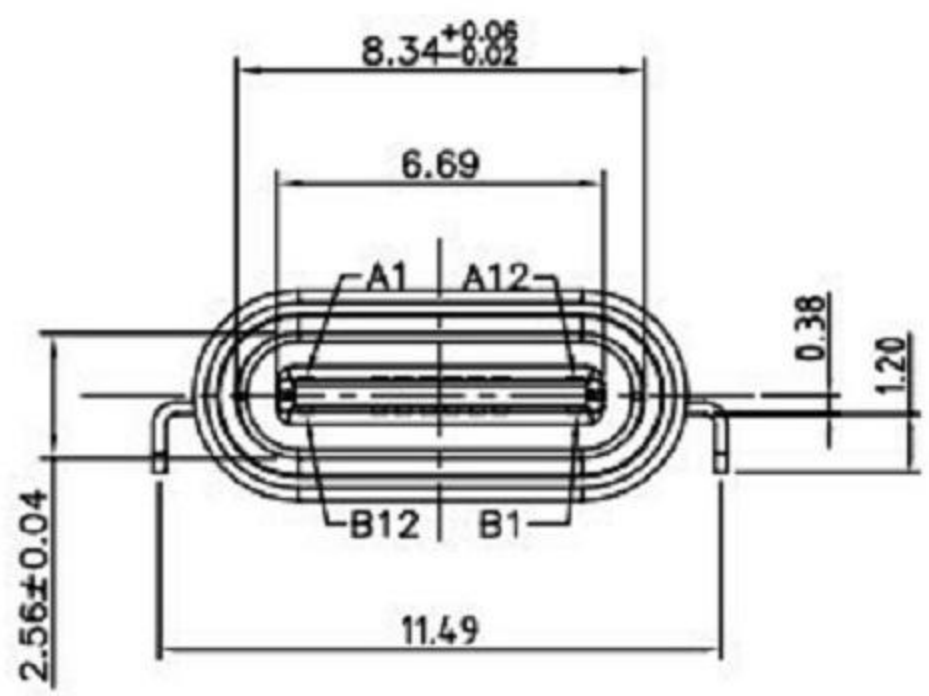
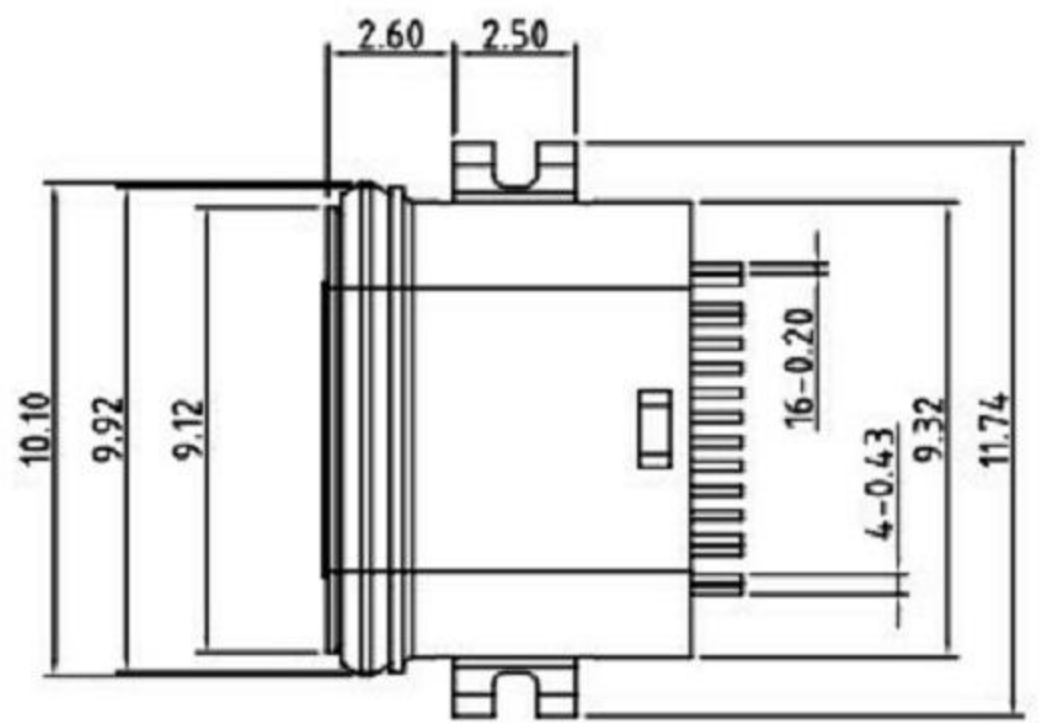
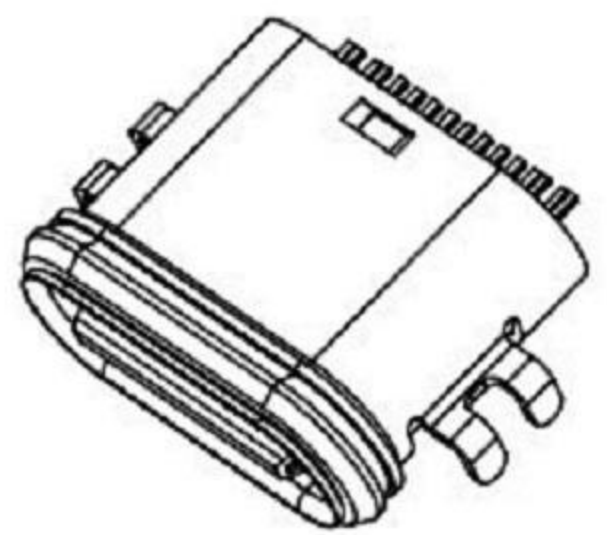


REV.	ECN. NO.	APPD.



INTERFACE(FRONT VIEW)

A1	A2	A3	A4	A5	A6	A7	A8	A9	A10	A11	A12
GND	/	/	VBUS	CC1	DP1	DN1	SBU1	VBUS	/	/	GND
GND	/	/	VBUS	SBU2	DN2	DP2	CC2	VBUS	/	/	GND
B12	B11	B10	B9	B8	B7	B6	B5	B4	B3	B2	B1



NOTES:

SPECIFICATION:

- CURRENT RATING: 3.0A MAX
- DIELECTRIC WITHSTAND VOLTAGE: 100VAC
- TEMPERATURE RANGE: -30 °C ~ 85 °C
- CONTACT RESISTANCE: 40 MILLIONHM MAX
- INSULATION RESISTANCE: 100 MEGOHMS MIN.
- INSERTION FORCE :8N~35N
- UNMATING FORCE: 8N~35N
- DURABILITY:1500 CYCLES

ITEM	PART NAME	Q'TY	FINISH	NOTE
3	Shell	1	SUS 301 1/4H	
3	PLASTIC Shell	1	PA9T&LCP (G.F30%)	
2	Contact	4	BRASS C2680-EH Au/Ni Plating T=0.25mm	
1	Housing	1	PA10T (G.F30%)	

X.	±0.50	X.*	± 2°	UNITS mm
.X	±0.30	.X*	± 1°	
.XX	±0.10	.XX*	± 0.5°	MAT'L /
.XXX	± 0.05			
THESE DRAWINGS AND SPECIFICATIONS ARE THE PROPERTY OF E-ZONE ELECTRONIC TECHNOLOGY CO.,LTD.AND SHALL NOT BE REPRODUCED, COPIED OR USED IN ANY MANNER WITHOUT THE PRIOR WRITTEN CONSENT OF E-ZONE ELECTRONIC TECHNOLOGY CO., LTD				FINISH /
Q'TY /				
/				

廣東科斯達電子科技有限公司

PART NO. _____ TITLE: IP68

APPD: RADDM DWG NO: **USB connector**

CHKD: MARK

DR: JANE CHOU 2019/07/11

SCALE	SHEET	REV.
1/1	1/2	A2