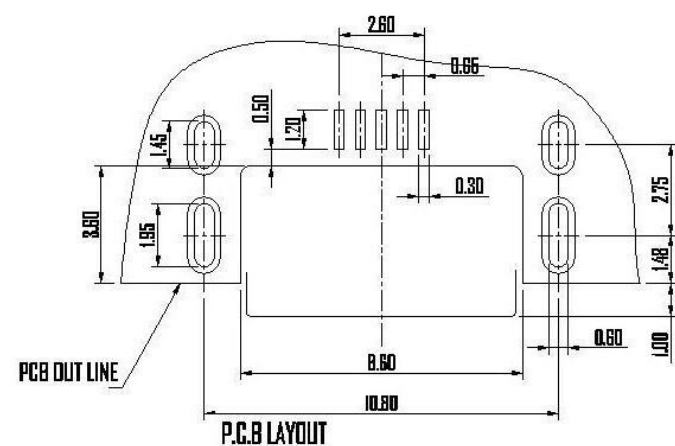
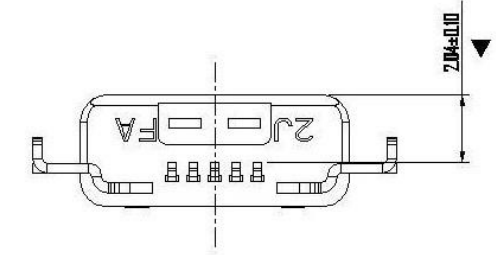
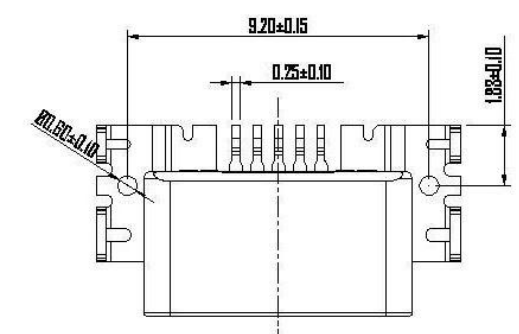
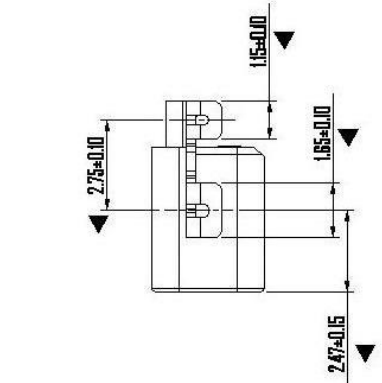
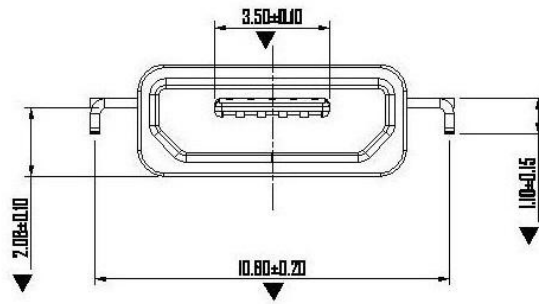
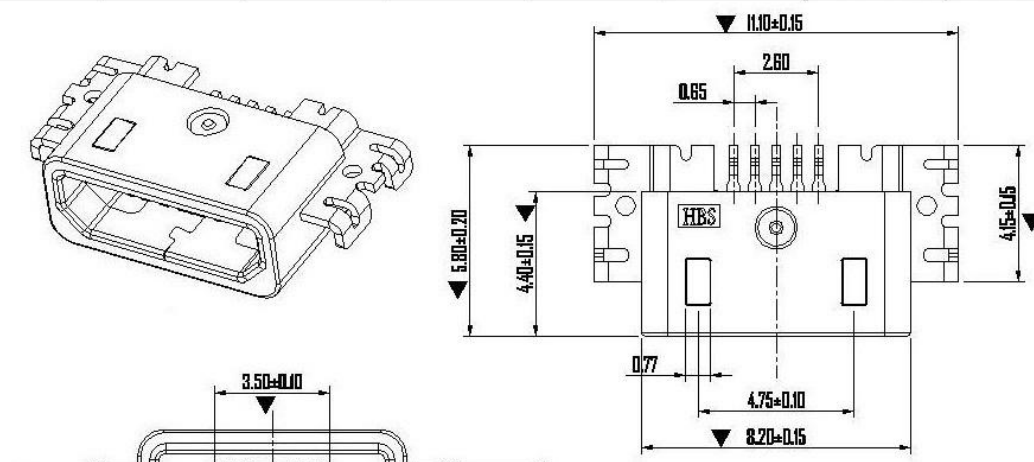


REV.	ECN. NO.	APPD.



- NOTES:  
SPECIFICATION:
1. CURRENT RATING: 3.0A MAX
  2. DIELECTRIC WITHSTAND VOLTAGE: 100VAC
  3. TEMPERATURE RANGE: -30 °C ~ 85 °C
  4. CONTACT RESISTANCE: 40 MILLIONHM MAX
  5. INSULATION RESISTANCE: 100 MEGOHMS MIN.
  6. INSERTION FORCE :8N~35N
  7. UNMATING FORCE: 8N~35N
  8. DURABILITY:1500 CYCLES

3	Shell	1	SUS 301 1/4H	
3	PLASTIC Shell	1	PA9T&LCP (G.F30%)	
2	Contact	4	BRASS C2680-EH Au/Ni Plating T=0.25mm	
1	Housing	1	PA10T (G.F30%)	
ITEM	PART NAME	Q'TY	FINISH	NOTE

X. ±0.50	X* ±2*	UNITS mm	<b>广东科斯达电子科技有限公司</b> KSDKG Guangdong Keside Electronic Technology Co., Ltd.	
.X ±0.30	.X* ±1*			
.XX ±0.10	.XX* ±0.5*	MAT'L	PART NO.	
.XXX ±0.05			TITLE: IP68	
THESE DRAWINGS AND SPECIFICATIONS ARE THE PROPERTY OF E-ZONE ELECTRONIC TECHNOLOGY CO.,LTD.AND SHALL NOT BE REPRODUCED, COPIED OR USED IN ANY MANNER WITHOUT THE PRIOR WRITTEN CONSENT OF E-ZONE ELECTRONIC TECHNOLOGY CO., LTD		FINISH	APPD: RADDOM	DWG NO: <b>USB connector</b>
			Q'TY	
			DR: JANE CHOU 2019/07/11	SCALE SHEET REV. 1/1 1/2 A2