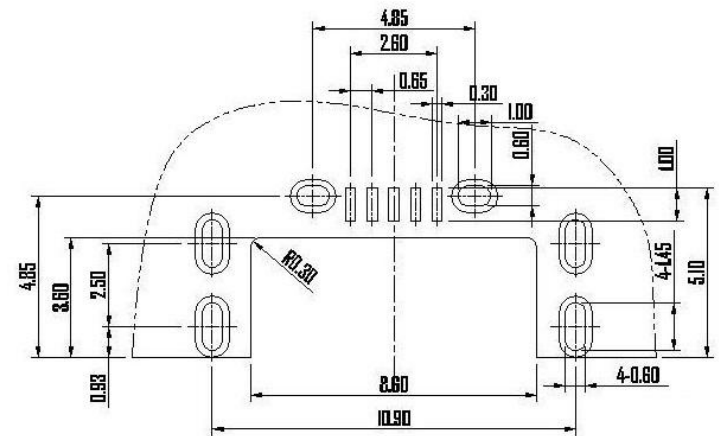
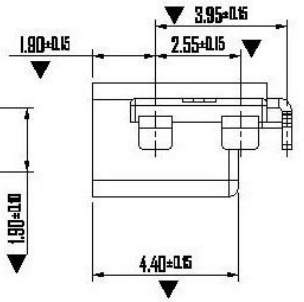
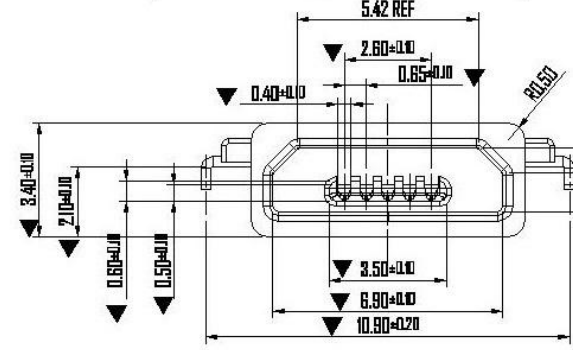
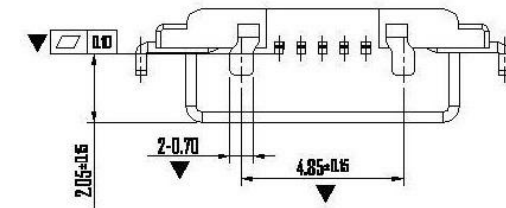
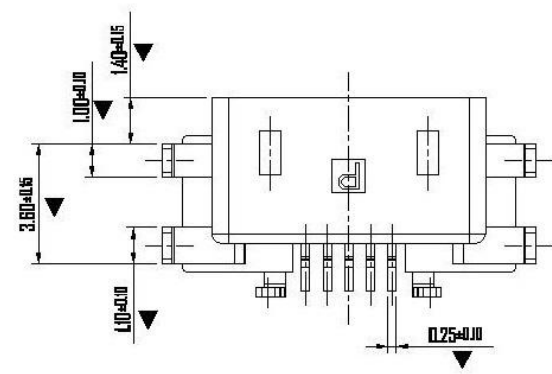
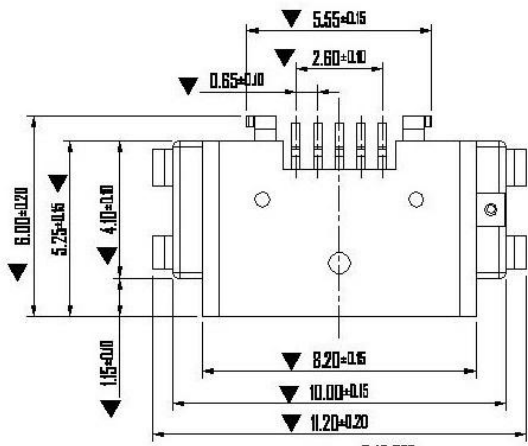


REV.	ECN. NO.	APPD.

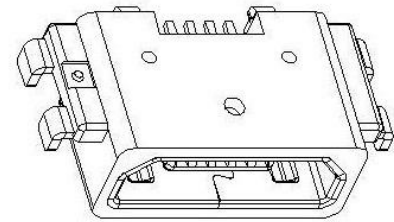


P.C.B LAYOUT

NOTES:

SPECIFICATION:

1. CURRENT RATING: 3.0A MAX
2. DIELECTRIC WITHSTAND VOLTAGE: 100VAC
3. TEMPERATURE RANGE: -30 °C ~ 85 °C
4. CONTACT RESISTANCE: 40 MILLIONHM MAX
5. INSULATION RESISTANCE: 100 MEGOHMS MIN.
6. INSERTION FORCE :8N~35N
7. UNMATING FORCE: 8N~35N
8. DURABILITY:1500 CYCLES



3	Shell	1	SUS 301 1/4H	
3	PLASTIC Shell	1	PA9T&LCP (G.F30%)	
2	Contact	4	BRASS C2680-EH Au/Ni Plating T=0.25mm	
1	Housing	1	PA10T (G.F30%)	
ITEM	PART NAME	Q'TY	FINISH	NOTE

X. ±0.50	X* ±2°	UNITS mm	广东科斯达电子科技有限公司 KSDKG Guangdong Keside Electronic Technology Co., Ltd.				
.X ±0.30	.X* ±1°						
.XX ±0.10	.XX* ±0.5°	MAT'L	PART NO.				
.XXX ±0.05			TITLE: IP68				
THESE DRAWINGS AND SPECIFICATIONS ARE THE PROPERTY OF E-ZONE ELECTRONIC TECHNOLOGY CO.,LTD.AND SHALL NOT BE REPRODUCED, COPIED OR USED IN ANY MANNER WITHOUT THE PRIOR WRITTEN CONSENT OF E-ZONE ELECTRONIC TECHNOLOGY CO., LTD.			APPD: RADDM				
			FINISH	DWG NO: USB connector			
			Q'TY	<table border="1"> <tr> <td>SCALE</td> <td>SHEET</td> <td>REV.</td> </tr> <tr> <td>1/1</td> <td>1/2</td> <td>A2</td> </tr> </table>	SCALE	SHEET	REV.
SCALE	SHEET	REV.					
1/1	1/2	A2					
			CHKD: MARK DR: JANE CHOU 2019/07/11				