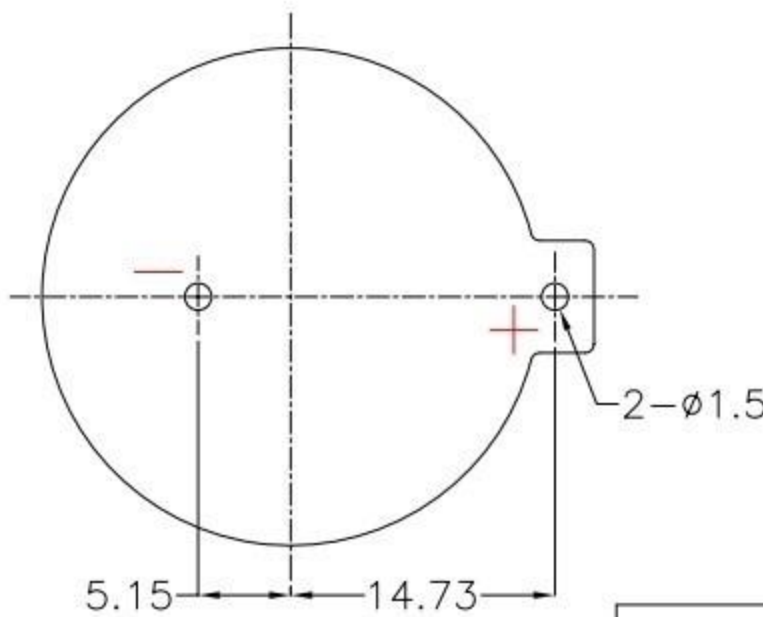
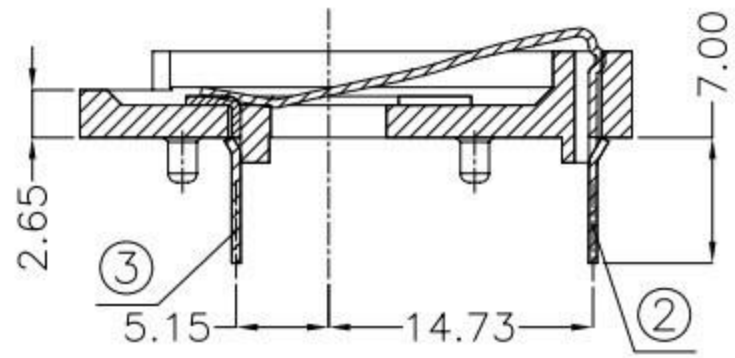
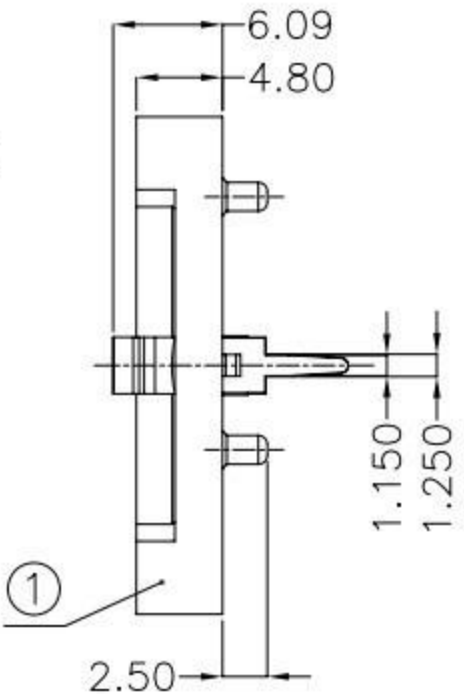
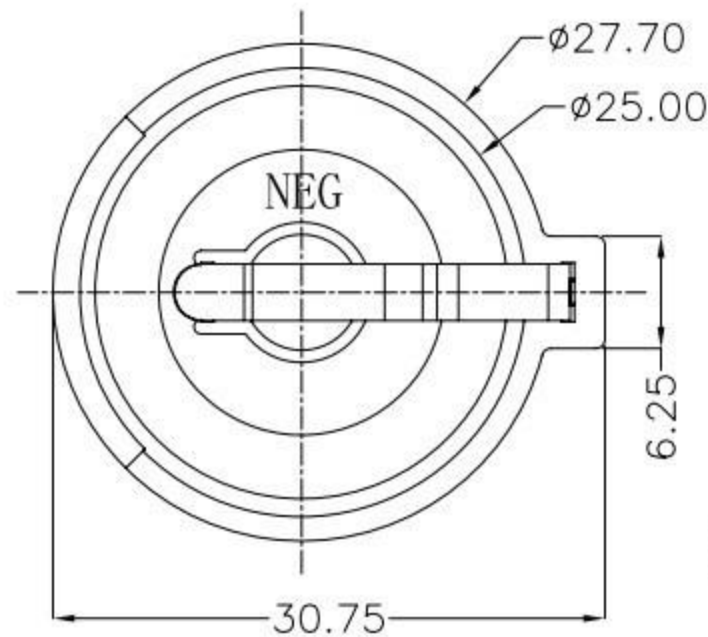




REV.	ECN NO.	REVISED	DATE



PCB Layout Diagram  
Top View

NOTE:

- MATERIAL:
  - HOUSING:PBT
  - CONTACT:Mn Steel  
(SURFACE PLATING: Ni 100u"~120u")  
SEE ORDERING INFORMATION
- ELECTRIC:
  - CONTACT RESISTANCE: 30 MILLIOHMS MAX
  - INSULATION RESISTANCE: 1000 MEGA OHMS MIN
  - DIELECTNIC VOLTAGE: 500V AC ONE SEC LEVEL
  - OPERATING TEMPERATURE: -25°C~ +85°C

ORDERING INFORMATION

电池座系列

DIP 90° TYPE

PLATING:  
A-Au1U"  
J-Ni100U"~120U"  
K-Sn100U"~120U"

MATERIAL:  
1A-PBT BLACK  
1B-PA66 BLACK  
2A-PPA BROWN  
2B-PPA BLACK  
3A-PPS BROWN  
3B-PPS BLACK  
4A-LCP WHITE  
4B-LCP BLACK

3	TERMINAL(-)	1	Mn Steel, T=0.50mm	Ni Plating
2	TERMINAL(+)	1	Mn Steel, T=0.50mm	Ni Plating
1	HOUSING	1	PBT	BLACK
NO.	PART NAME	Q'TY	MATERIAL	PLATING & COLOR

UNLESS OTHERWISE SPECIFIED TOLERANCES				<b>廣東科斯達電子科技有限公司</b>			
DECIMALS: X :±0.30 X.X :±0.25 X.XX :±0.20 X.XXX :±0.10	ANGLES: X :±1° X.X :±0.5°	DSND	DATE	2017-07-16	TITLE:		
		CHKD	DATE	2017-07-16			
		APVD	DATE	2017-07-16	PART NO.:		
WEIGHT: 2.92g		SCALE: 2:1	SIZE: A4	VIEW:			
SHEET 1 OF 1		UNIT: mm	REV.: A/0	OBJECT: MY	DRAW NO.:		