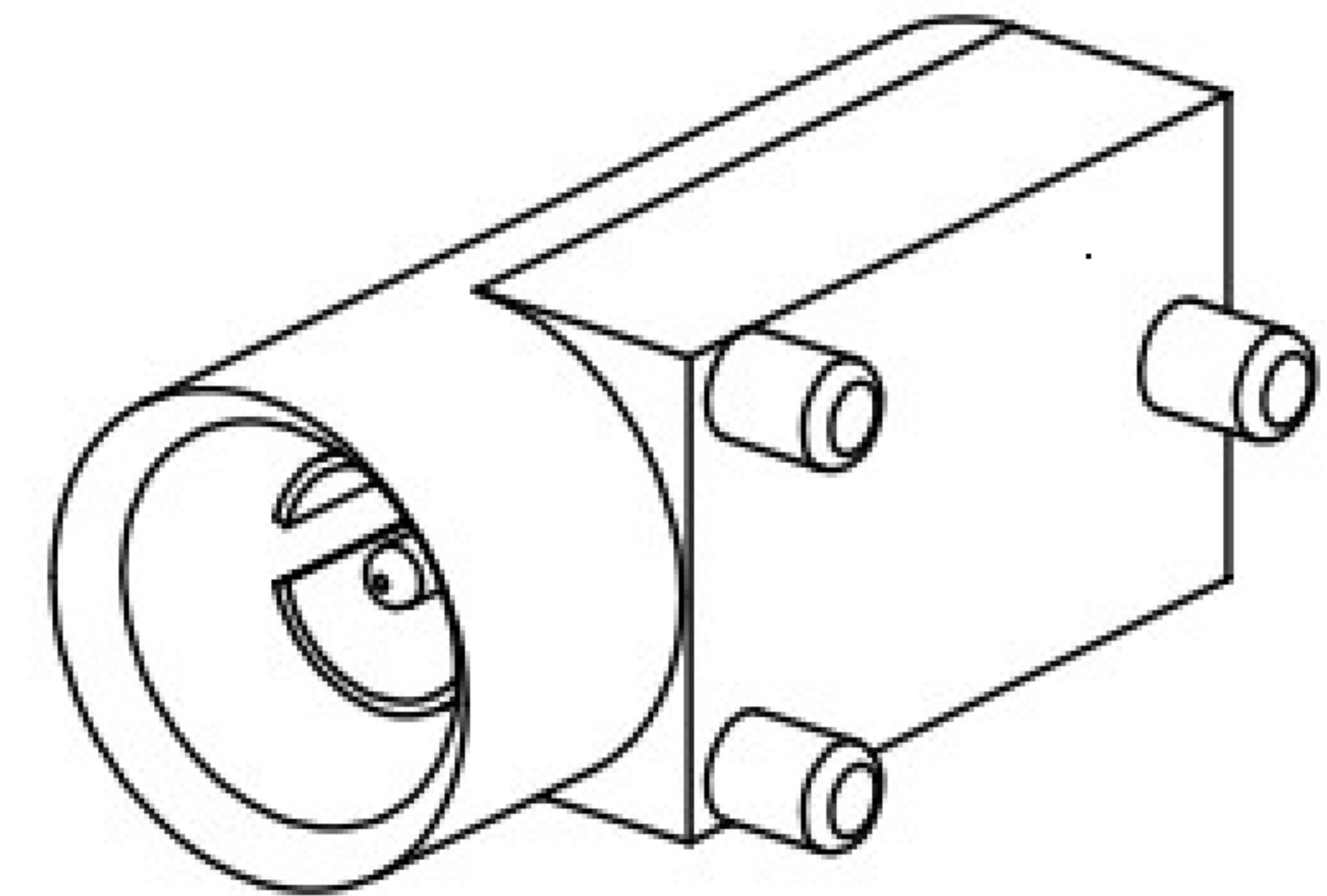


PCB LAYOUT TOP VIEW



3D VIEW

				ANGLAR	±5°	DSND		DATE		SCALE: N/A	MODEL TYPE: DC POWER JACK	
ΔX				X.X	±0.2mm	DWN		DATE		VIEW:	PART NO.:	
ΔX				X.XX	±0.1mm	CHKD		DATE		UNIT: mm	DWG NO.:	
ΔX				X.XXX	±0.05mm	APPD		DATE		SIZE: A4		
MARK	DESCRIPTION	DATE	REVISED	APPROVED	UNSPECIFIED TOLERANCES	廣東科斯達電子科技有限公司				WEIGHT	SHEET	REVISION
	REVISIONS									1.0g	1/1	A0