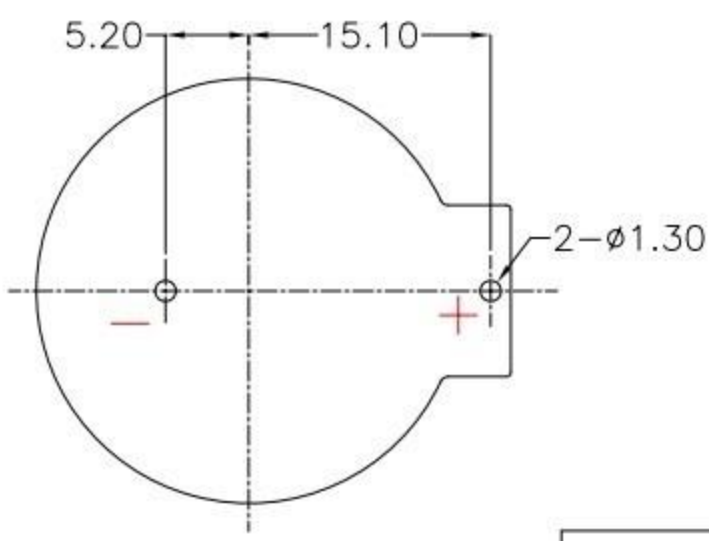
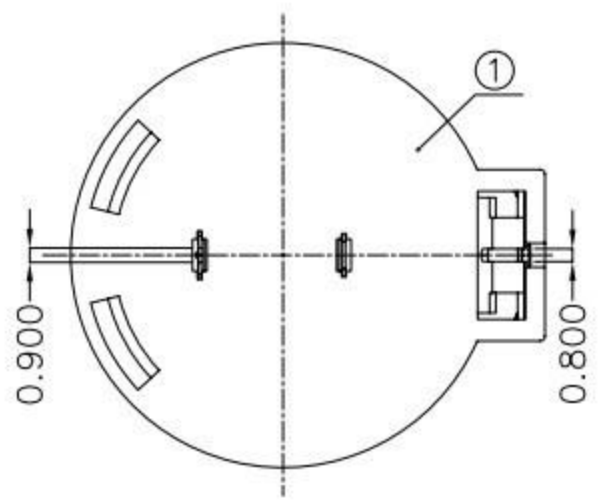
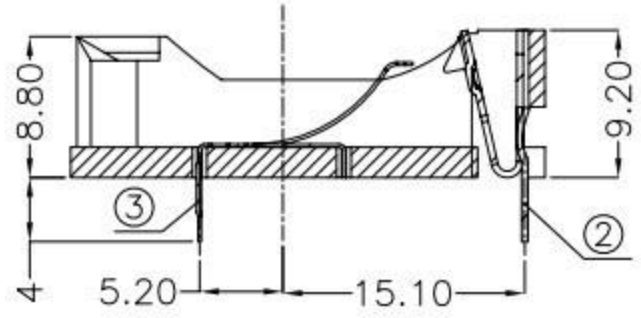
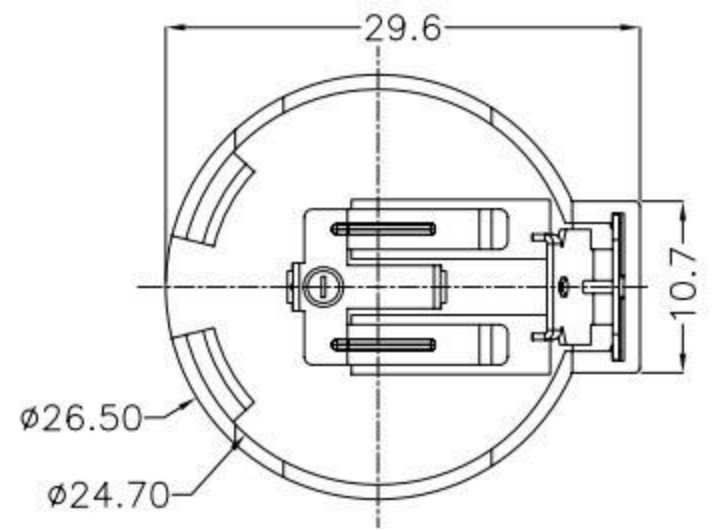




REV.	ECN NO.	REVISED	DATE



PCB Layout Diagram
Top View

NOTE:

- 1.MATERIAL:
 - a.HOUSING:PBT
 - b.CONTACT:PHOSPHOR BRONZE
(SURFACE PLATING: Ni100u"-120u")
SEE ORDERING INFORMATION
- 2.ELECTRIC:
 - a.CONTACT RESISTANCE: 30 MILLIOHMS MAX
 - b.INSULATION RESISTANCE: 1000 MEGA OHMS MIN
 - c.DIELECTNIC VOLTAGE: 500V AC ONE SEC LEVEL
 - d.OPERATING TEMPERATURE: -25°C~ +85°C

ORDERING INFORMATION

- 电池座系列
- DIP 90° TYPE
- PLATING:
 - A-Au1U"
 - J-Ni100U"~120U"
 - K-Sn100U"~120U"
- MATERIAL:
 - 1A-PBT BLACK
 - 1B-PA66 BLACK
 - 2A-PPA BROWN
 - 2B-PPA BLACK
 - 3A-PPS BROWN
 - 3B-PPS BLACK
 - 4A-LCP WHITE
 - 4B-LCP BLACK

NO.	PART NAME	Q'TY	MATERIAL	PLATING & COLOR
3	TERMINAL(-)	1	PHOSPHOR BRONZE,T=0.20mm	Ni Plating
2	TERMINAL(+)	1	PHOSPHOR BRONZE,T=0.40mm	Ni Plating
1	HOUSING	1	PBT	BLACK

UNLESS OTHERWISE SPECIFIED TOLERANCES				廣東科斯達電子科技有限公司 DSND DATE 2017-07-15 TITLE: CHKD DATE 2017-07-15 APVD DATE 2017-07-15 PART NO.:			
DECIMALS:	ANGLES:	WEIGHT:2.71g					
X :±0.30	X :±1°	SHEET 1 OF 1		UNIT: mm	REV.: A/0	OBJECT: MY	
X.X :±0.25	X.X :±0.5°					DRAW NO.	
X.XX :±0.20							
X.XXX :±0.10							