



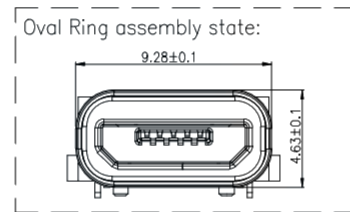
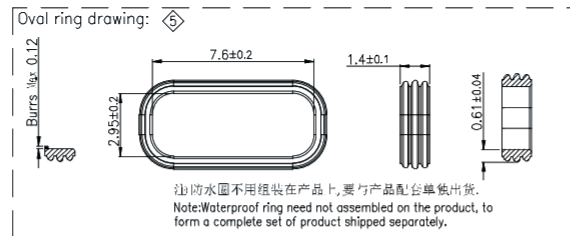
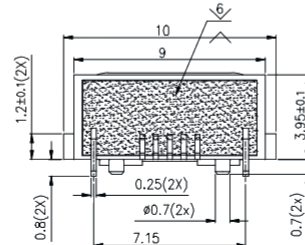
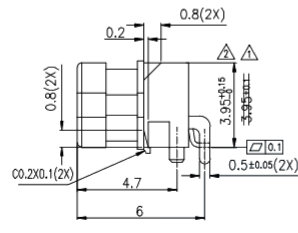
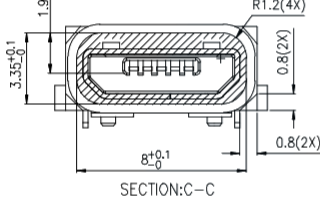
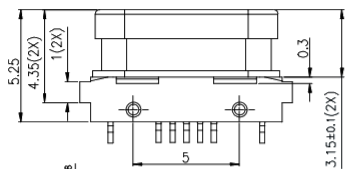
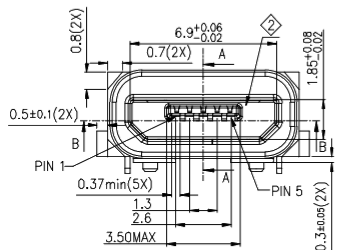
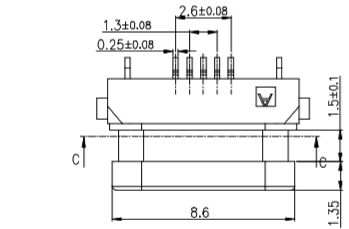
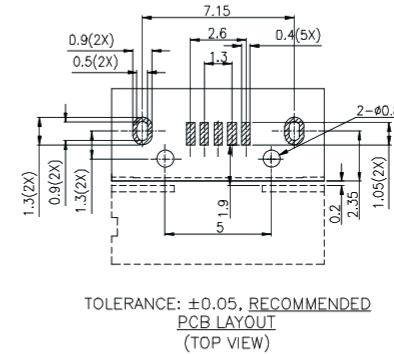
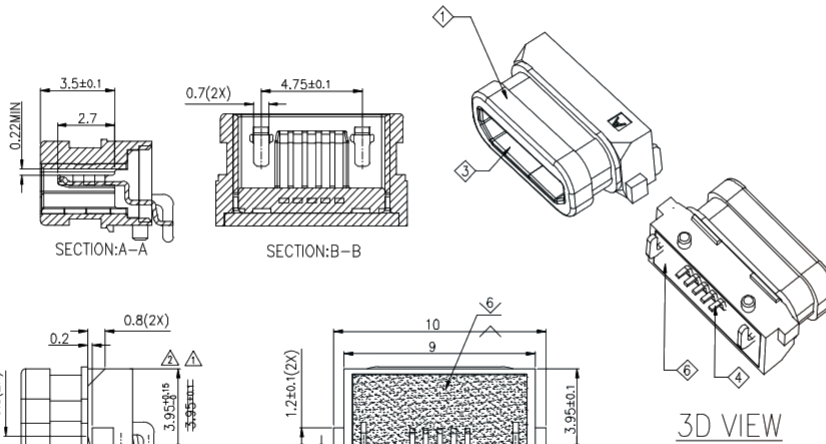
IP-X7
30min/1m

ZONE	SYMBOL	REVISION	APPROVAL	DATE
A		INITIAL	Lucky	06/20/20'

SPECIFICATIONS:

- ELECTRICAL CHARACTERISTICS:
 - RATING: 1.8A (PIN1/5), 0.5A (PIN2/3/4)
 - CONTACT RESISTANCE: 30m MAX.(INITIAL)
 - DIELECTRIC WITHSTANDING VOLTAGE: 300V AC FOR ONE MINUTE.
 - INSULATION RESISTANCE: 100M MIN. MEASURED BY 500 VDC
- MECHANICAL CHARACTERISTICS:
 - INSERTION FORCE : 3.6 KGF (MAX)
 - WITHDRAWAL FORCE : 0.8 KGF(MIN)
- DURABILITY: 10,000 CYCLES .
- WATER PROOFNESS:THIS PRODUCT IS BASED ON IPX7(1m,30min)
- PCBA INTERFACE DIMENSIONS COMFORM TO USB2.0 SPEC.

- The amount of low molecular siloxanes(D3~D10)is less than 200ppm
- Hardness of silicone rubber:70'
- FOR REFLOW SOLDERING LEAD-FREE PROCESS.
- PACKAGING: TAPE & REEL.



⑥	BOND	----	1	----	----
⑤	Oval ring	----	1	----	----
④	CONTACT	No.1 - No.5	5	Copper Alloy T=0.20	Under plating: Ni plating Contact area: Gold flash plating Soldering area: Sn plating
③	SHELL	----	1	Stainless Steel T=0.25	1st: Cu, 2nd: Ni PLATED
②	INSERT MOLDING	----	1	PA9T(BLACK)	UL-94V-0
①	HOUSING	----	1	PA9T(BLACK)	UL-94V-0
ITEM	PART NAME	TERMINAL	QTY	MATERIAL	REMARK

DRAWING:	Lucky	DATE:	2020.20.06	SCALE	5: 1
CHECK:	liao Y K	DATE:	2020.20.06	MATERIAL	*
APPROVAL:	Abel	DATE:	2020.20.06	DWG. n.o.	A
DRAWING NO.				SHEET	1/1

广东科斯达电子科技有限公司
KSDKG Guang dong Keside Electronic Technology Co., Ltd.

PART NAME	MIRCO USB 防水板上型	TOLERANCE UNLESS	0.0±0.2	UNIT:	mm
PART NO.		OTHERWISE SPECIFIED:	0.00±0.1 0.000±0.05		