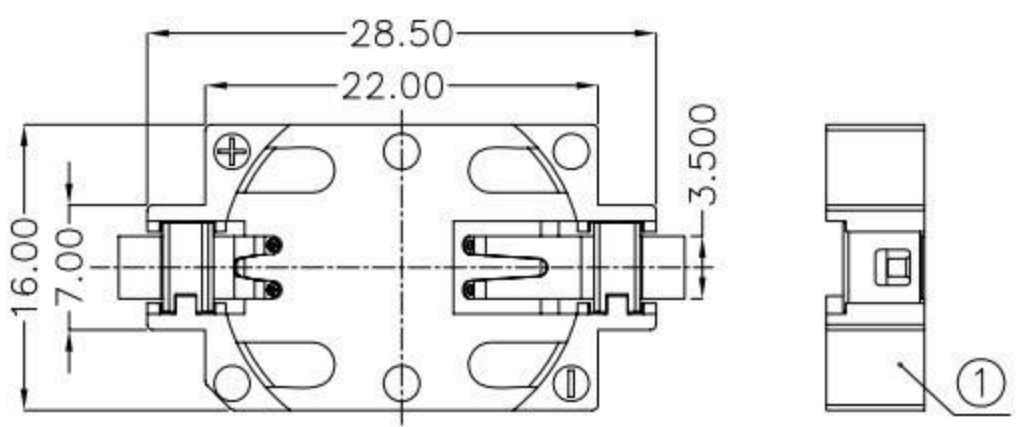




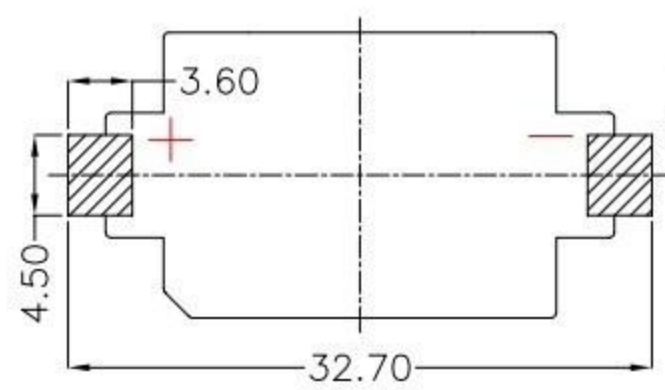
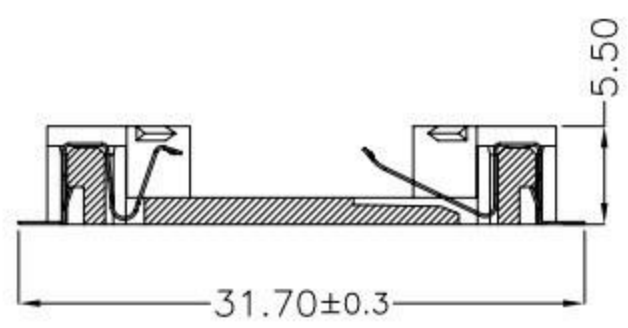
REV.	ECN NO.	REVISED	DATE

1.MATERIAL:
 a.HOUSING:LCP UL94V-0
 b.CONTACT:PHOSPHOR BRONZE
 (SURFACE PLATING: Au1u")
 SEE ORDERING INFORMATION

2.ELECTRIC:
 a.CONTACT RESISTANCE: 30 MILLIOHMS MAX
 b.INSULATION RESISTANCE: 1000 MEGA OHMS MIN
 c.DIELECTNIC VOLTAGE: 500V AC ONE SEC LEVEL
 d.OPERATING TEMPERATURE: -25°C~ +85°C

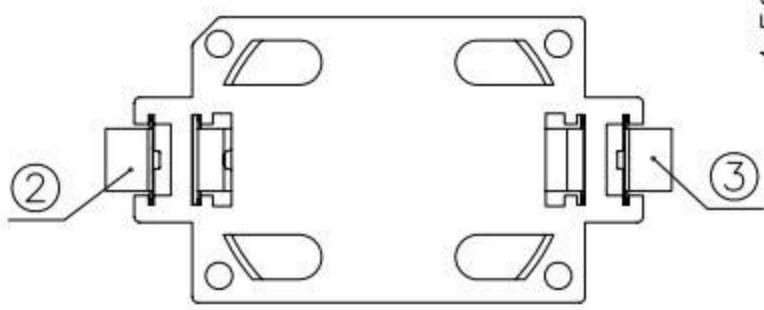


ORDERING INFORMATION



PLATING:
 A-Au1U*
 J-Ni100U*~120U*
 K-Sn100U*~120U*

MATERIAL:
 1A-PBT BLACK
 1B-PA66 BLACK
 2A-PPA BROWN
 2B-PPA BLACK
 3A-PPS BROWN
 3B-PPS BLACK
 4A-LCP WHITE
 4B-LCP BLACK
 5A-PA6T WHITE
 5B-PA6T BLACK



PCB Layout Diagram
 Top View

UNLESS OTHERWISE SPECIFIED TOLERANCES 廣東科斯達電子科技有限公司

DECIMALS: X :±0.30 X.X :±0.25 X.XX :±0.20 X.XXX :±0.10	ANGLES: X :±1° X.X :±0.5°	DSND	DATE	2017-07-11	TITLE:
WEIGHT: 1.49g		CHKD	DATE	2017-07-11	PART NO.:
SHEET 1 OF 1		APVD	DATE	2017-07-11	
SCALE: 2:1		SIZE: A4	VIEW:	DRAW NO.:	
UNIT: mm		REV.: A/0	OBJECT: MY		

NO.	PART NAME	Q'TY	MATERIAL	PLATING & COLOR
3	TERMINAL(-)	1	PHOSPHOR BRONZE, T=0.15mm	Gold Plating and Ni Under-Plating
2	TERMINAL(+)	1	PHOSPHOR BRONZE, T=0.15mm	Gold Plating and Ni Under-Plating
1	HOUSING	1	LCP	WHITE