



REV.	ECN NO.	REVISED	DATE

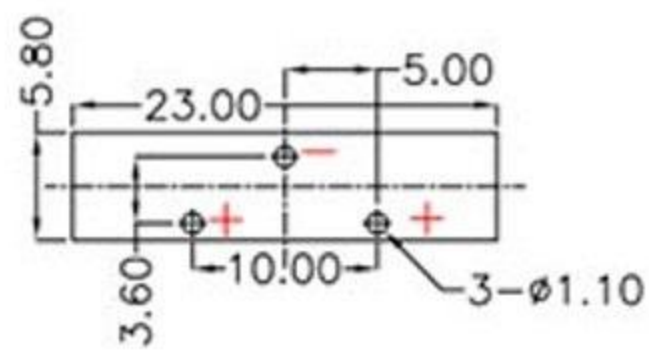
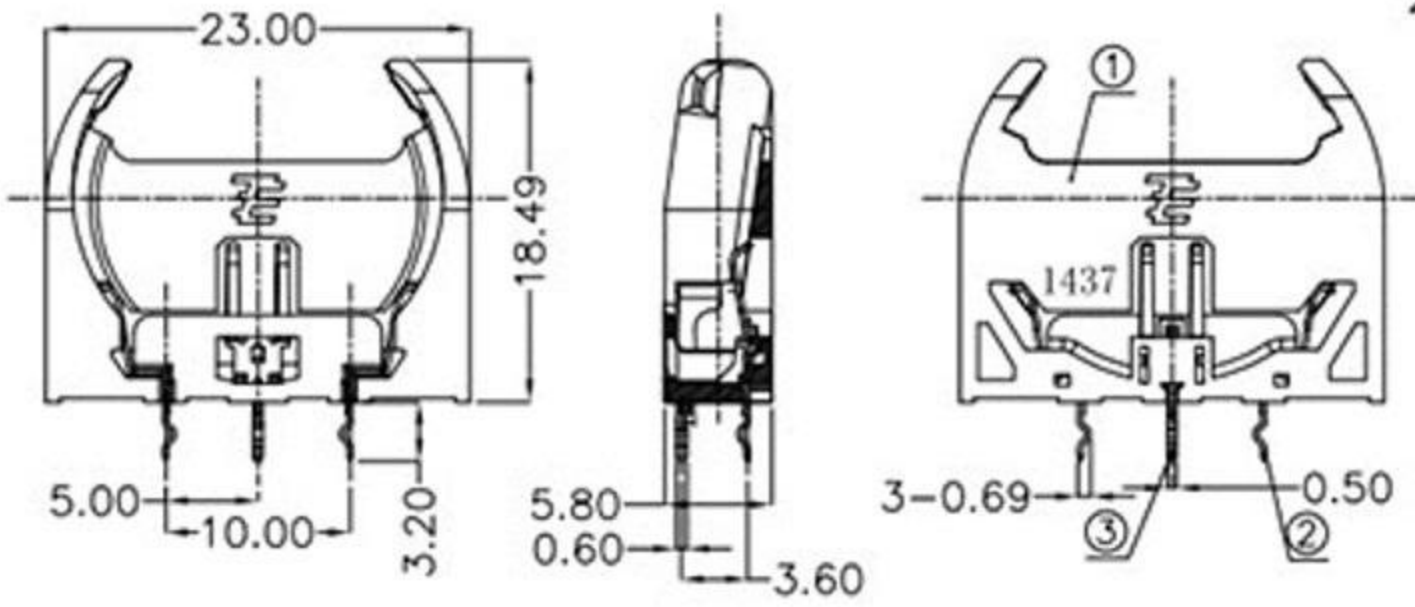
NOTE:

1.MATERIAL:

a.HOUSING:PA66 UL94V-0
 b.CONTACT:Stainless Steel
 (SURFACE PLATING: Ni100u"-120u")
 SEE ORDERING INFORMATION

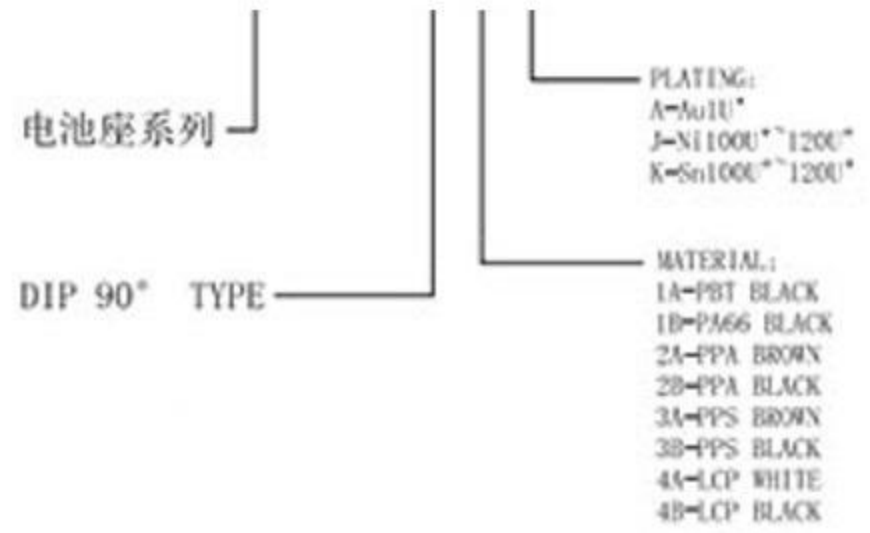
2.ELECTRIC:

a.CONTACT RESISTANCE: 30 MILLIOHMS MAX
 b.INSULATION RESISTANCE: 1000 MEGA OHMS MIN
 c.DIELECTNIC VOLTAGE: 500V AC ONE SEC LEVEL
 d.OPERATING TEMPERATURE: -55°C~ +105°C



PCB Layout Diagram
Top View

ORDERING INFORMATION



UNLESS OTHERWISE SPECIFIED TOLERANCES		廣東科斯達電子科技有限公司			
DECIMALS:	ANGLES:	DSND	DATE	2017-07-16	TITLE:
X :±0.30	X :±1°	CHKD	DATE	2017-07-16	PART NO.:
X.X :±0.25	X.X :±0.5°	APVD	DATE	2017-07-16	
X.XX :±0.20		WEIGHT: 0.68g	SCALE: 2:1	SIZE: A4	VIEW:
X.XXX :±0.10		SHEET 1 OF 1	UNIT: mm	REV.: A/0	OBJECT: MY
					DRAW NO.

NO.	PART NAME	Q'TY	MATERIAL	PLATING & COLOR
3	TERMINAL(-)	1	Stainless Steel, T=0.25MM	Ni-Plating
2	TERMINAL(+)	1	Stainless Steel, T=0.25MM	Ni-Plating
1	HOUSING	1	PA66	BLACK