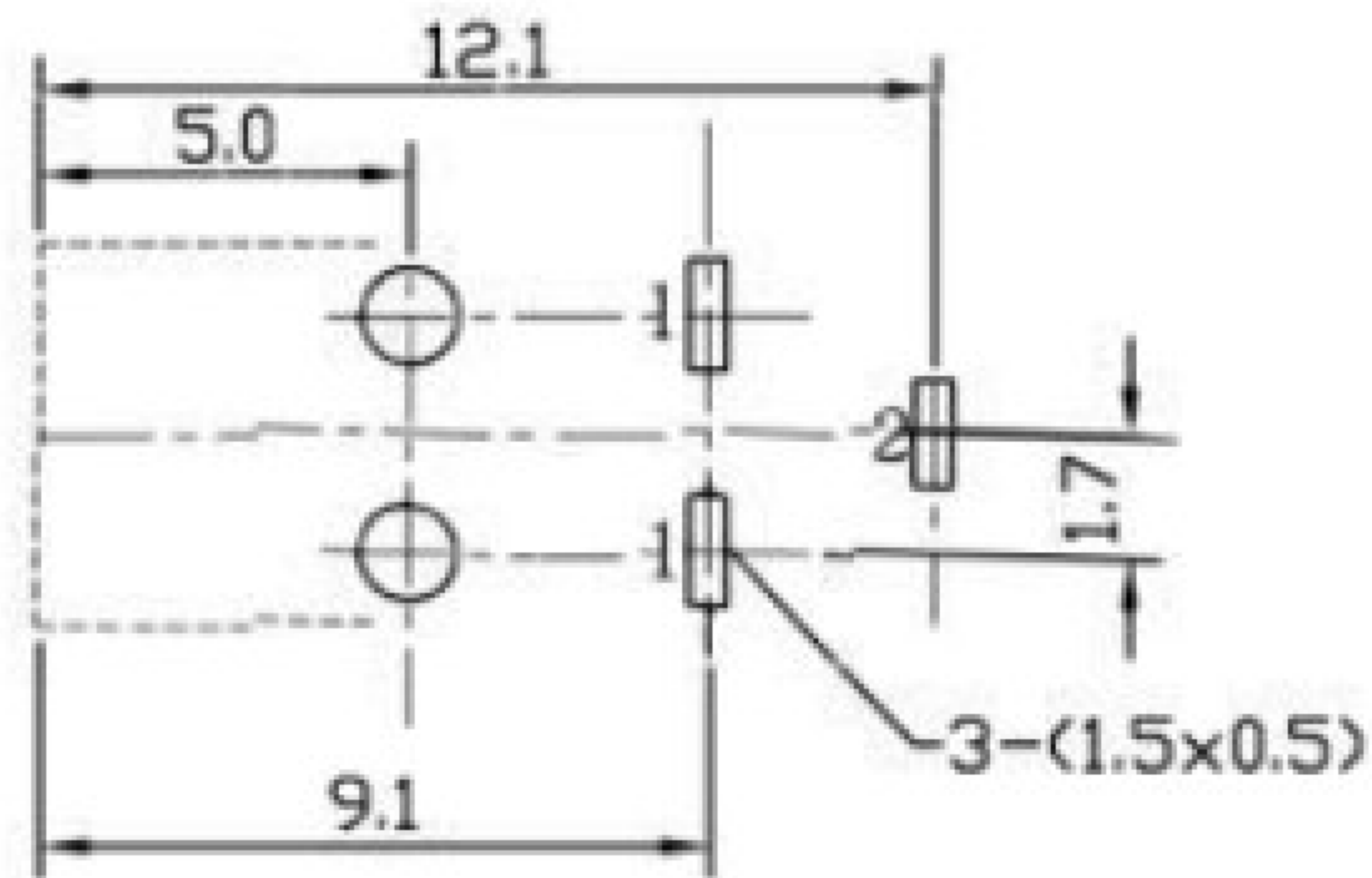
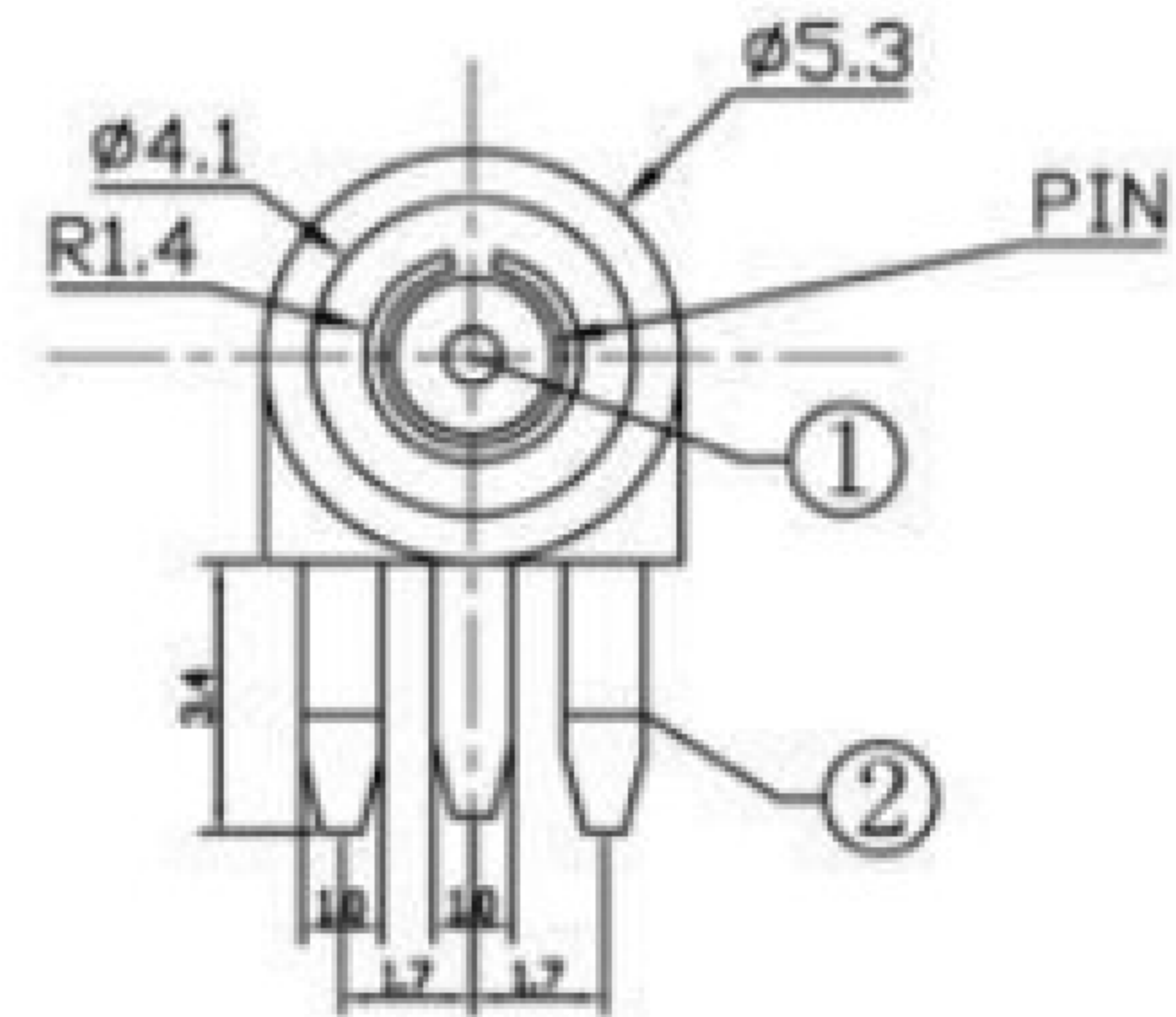
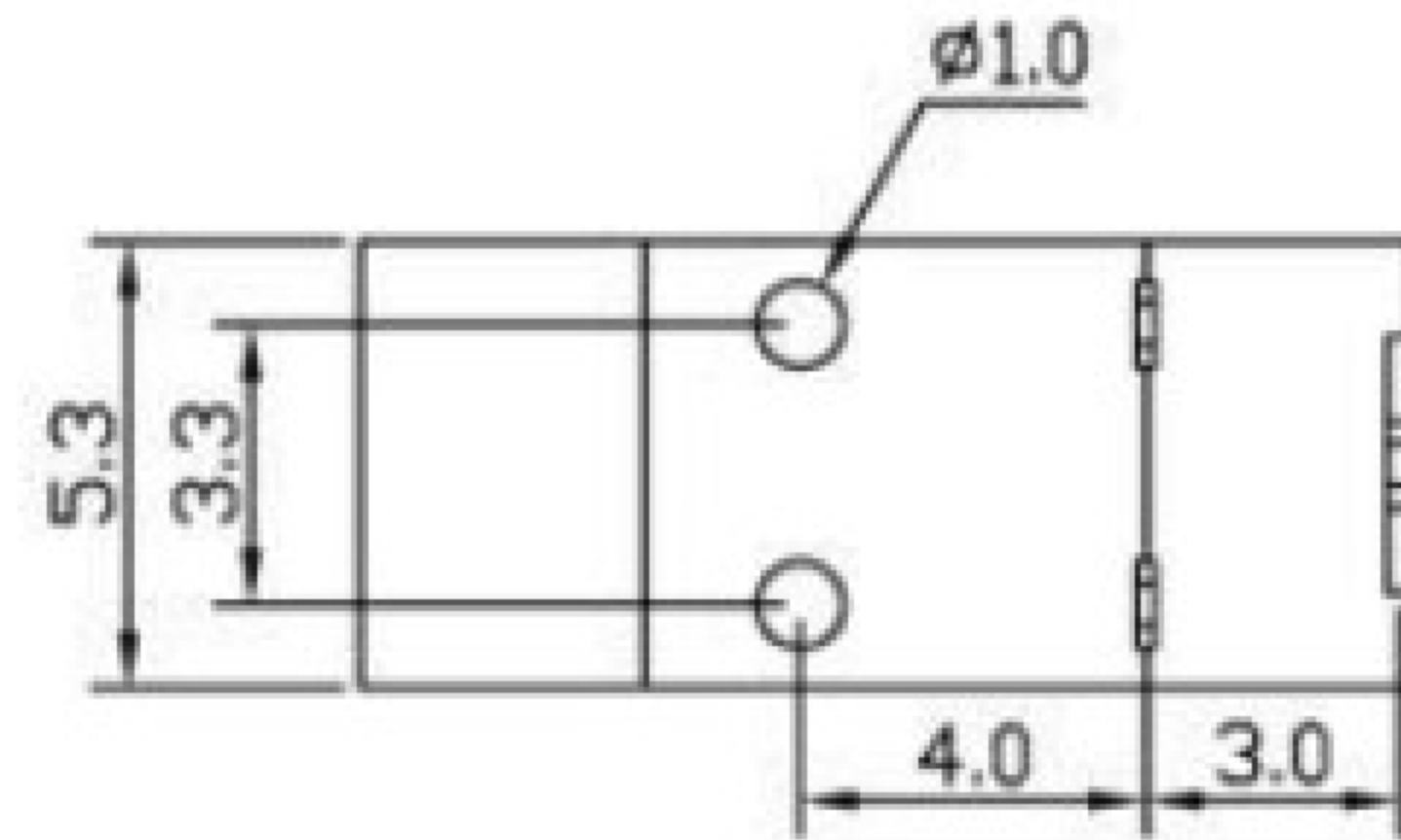
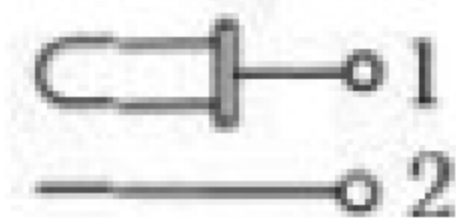


线路板开孔尺寸
P. C. B LAYOUT



按点示意图
SCHEMATIC



DIM	φ 0.7
APPD.	

ΔX					ANGLAR	±5°	DSND		DATE		SCALE: N/A	MODEL TYPE: DC POWER JACK	
ΔX					X.X	±0.2mm	DWN		DATE		VIEW:	PART NO.:	
ΔX					X.XX	±0.1mm	CHKD		DATE		UNIT: mm	DWG NO.:	
MARK	DESCRIPTION	DATE	REVISED	APPROVED	X.XXX	±0.05mm	APPD		DATE		SIZE: A4		
REVISIONS						UNSPECIFIED TOLERANCES	廣東科斯達電子科技有限公司				WEIGHT	SHEET	REVISION
											1.0g	1/1	A0