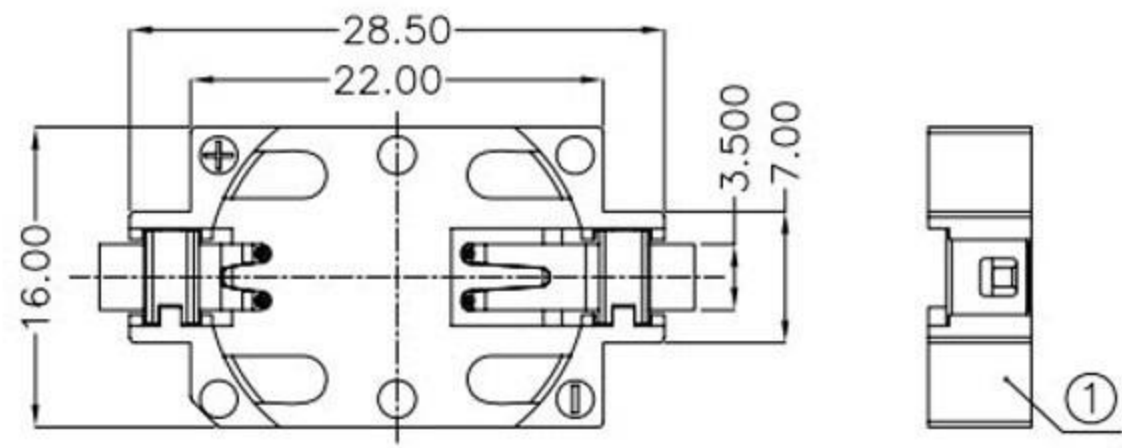


NOTE:

1. MATERIAL:
 - a. HOUSING: LCP UL94V-0
 - b. CONTACT: PHOSPHOR BRONZE
(SURFACE PLATING: Sn100u"~120u")
2. ELECTRIC:
 - a. CONTACT RESISTANCE: 30 MILLIOHMS MAX
 - b. INSULATION RESISTANCE: 1000 MEGA OHMS MIN
 - c. DIELECTRIC VOLTAGE: 500V AC ONE SEC LEVEL
 - d. OPERATING TEMPERATURE: -25°C~ +85°C



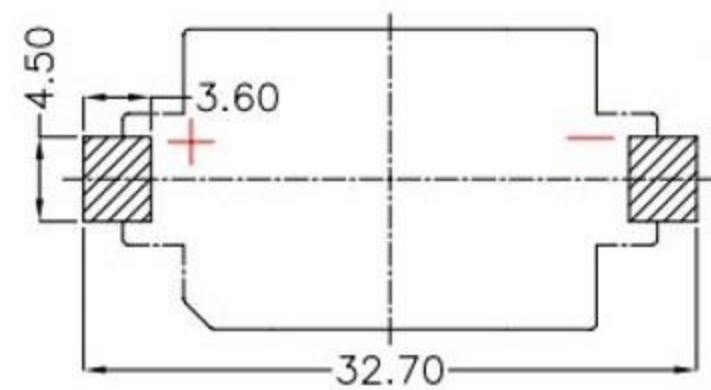
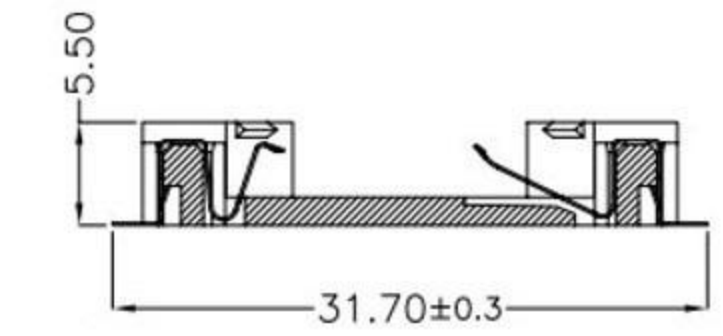
ORDERING INFORMATION

电池座系列

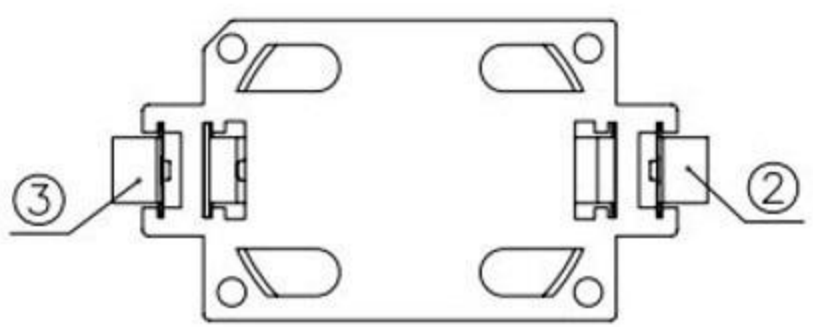
PLATING:
A-Au1U"
J-Ni100U"~120U"
K-Sn100U"~120U"

SMT 180° TYPE

MATERIAL:
1A-PBT BLACK
1B-PA66 BLACK
2A-PPA BROWN
2B-PPA BLACK
3A-PPS BROWN
3B-PPS BLACK
4A-LCP WHITE
4B-LCP BLACK
5A-PA6T WHITE
5B-PA6T BLACK



PCB Layout Diagram
Top View



UNLESS OTHERWISE SPECIFIED TOLERANCES 廣東科斯達電子科技有限公司

DECIMALS: X :±0.30 X.X :±0.25 X.XX :±0.20 X.XXX :±0.10	ANGLES: X :±1° X.X :±0.5°	DSND	DATE	2017-07-11	TITLE:
WEIGHT: 1.49g		CHKD	DATE	2017-07-11	PART NO.:
SHEET 1 OF 1		APVD	DATE	2017-07-11	
SCALE: 2:1		SIZE: A4	VIEW:	DRAW NO.:	
UNIT: mm		REV.: A/0	OBJECT: MY		

NO.	PART NAME	Q'TY	MATERIAL	PLATING & COLOR
3	TERMINAL(-)	1	PHOSPHOR BRONZE, T=0.15mm	Sn Plating
2	TERMINAL(+)	1	PHOSPHOR BRONZE, T=0.15mm	Sn Plating
1	HOUSING	1	LCP	WHITE