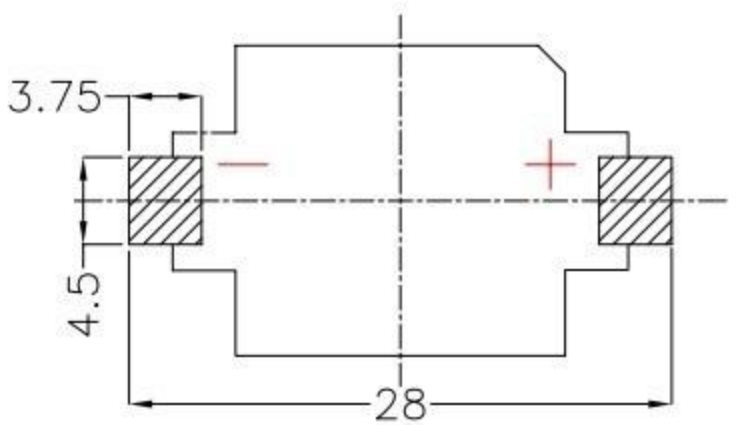
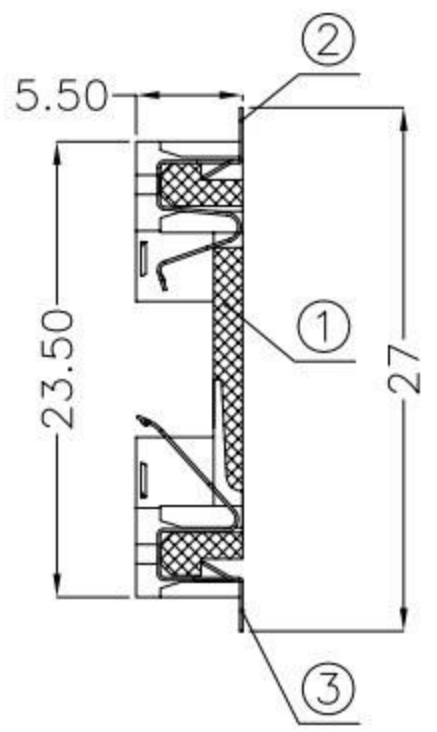
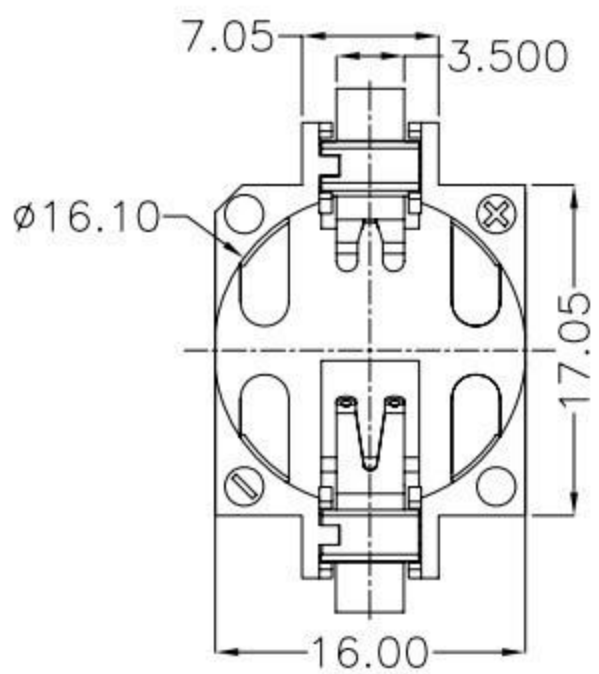




REV.	ECN NO.	REVISED	DATE

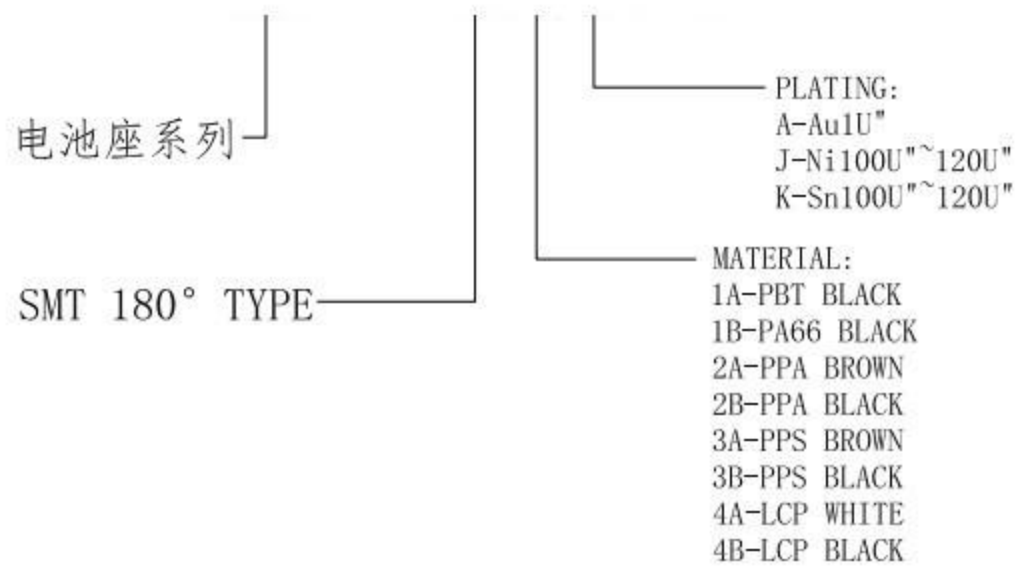


PCB Layout Diagram
Top View

NOTE:

- 1.MATERIAL:
 - a.HOUSING:LCP UL94V-0
 - b.CONTACT:PHOSPHOR BRONZE
(SURFACE PLATING: Sn100U"-120U")
SEE ORDERING INFORMATION
- 2.ELECTRIC:
 - a.CONTACT RESISTANCE: 30 MILLIOHMS MAX
 - b.INSULATION RESISTANCE: 1000 MEGA OHMS MIN
 - c.DIELECTNIC VOLTAGE: 500V AC ONE SEC LEVEL
 - d.OPERATING TEMPERATURE: -25°C~ +85°C

ORDERING INFORMATION



3	TERMINAL(-)	1	PHOSPHOR BRONZE, T=0.15mm	Sn-Plating
2	TERMINAL(+)	1	PHOSPHOR BRONZE, T=0.15mm	Sn-Plating
1	HOUSING	1	LCP	WHITE
NO.	PART NAME	Q'TY	MATERIAL	PLATING & COLOR

UNLESS OTHERWISE SPECIFIED TOLERANCES		廣東科斯達電子科技有限公司			
DECIMALS:	ANGLES:	DSND	DATE	2017-07-14	TITLE:
X :±0.30	X :±1°	CHKD	DATE	2017-07-14	
X.X :±0.25	X.X :±0.5°	APVD	DATE	2017-07-14	PART NO.:
X.XX :±0.20		WEIGHT: 1.34g	SCALE: 2:1	SIZE: A4	VIEW:
X.XXX :±0.10		SHEET 1 OF 1	UNIT: mm	REV.: A/0	OBJECT: MY
					DRAW NO.: