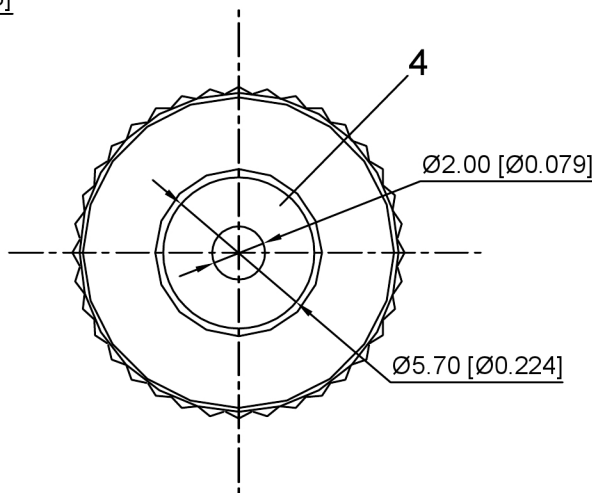
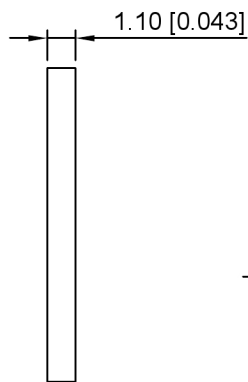
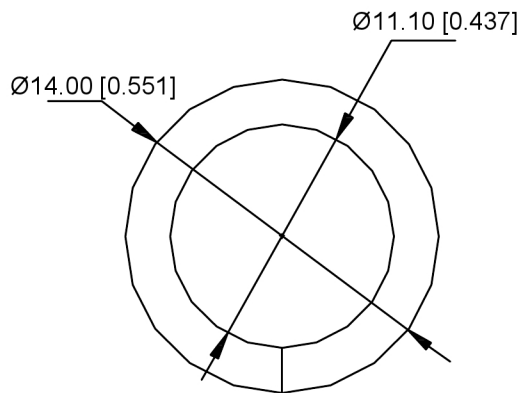
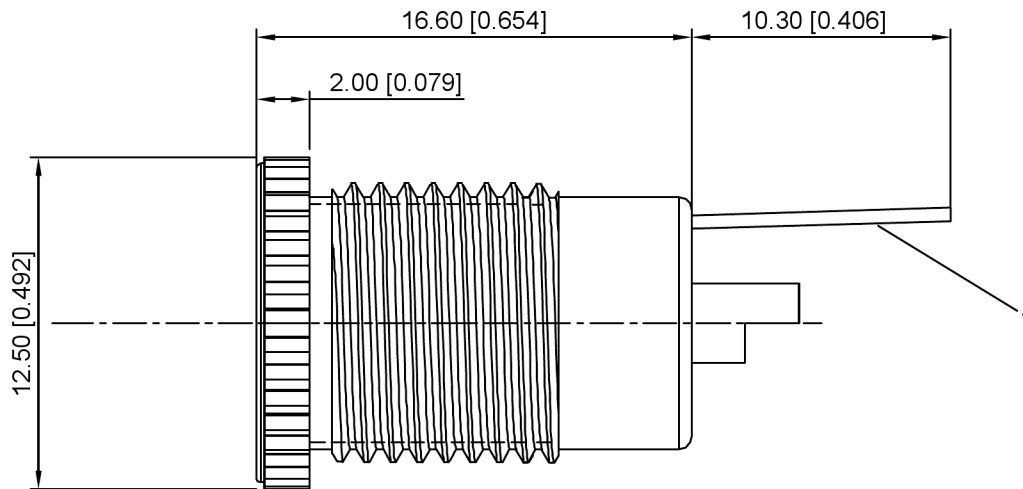
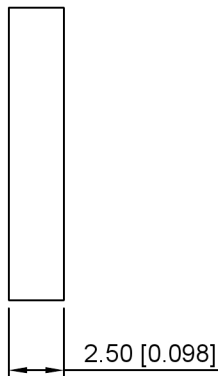
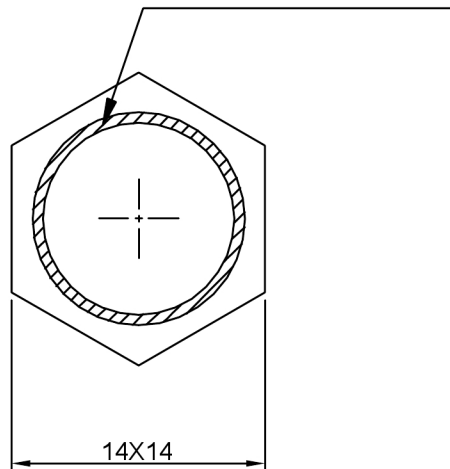


M11X1



SCHEMATIC	# 4
	# 1
Model	DC-099
Center Pin	Ø1.65 mm
	Ø2.0 mm
	Ø2.5 mm

广东星坤科技股份有限公司

Δx	日期
Δx	日期
Δx	日期
MARK	DESCRIPTION

文件工程章

REVISIONS	DATE	REVISED	APPROVED	DESCRIPTION

ANGLAR	±5°
L ≤ 4	±0.2
4 < L ≤ 16	±0.3
16 < L ≤ 63	±0.4
L > 63	±0.5
UNSPECIFIED TOLERANCES	



DSND	SCALE: N/A	MODEL TYPE:	DC POWER JACK
DWN	VIEW:	PART NO.:	DC-099-8A-2.0
CHKD	UNIT: mm/in	DWG NO.:	
APPD	SIZE: A4	WEIGHT	SHEET
			REVISIC

www.helloxkb.com www.helloxkb.cn www.xk-dg.cn

XKB INDUSTRIAL PRECISION CO., LIMITED

1/1 A0