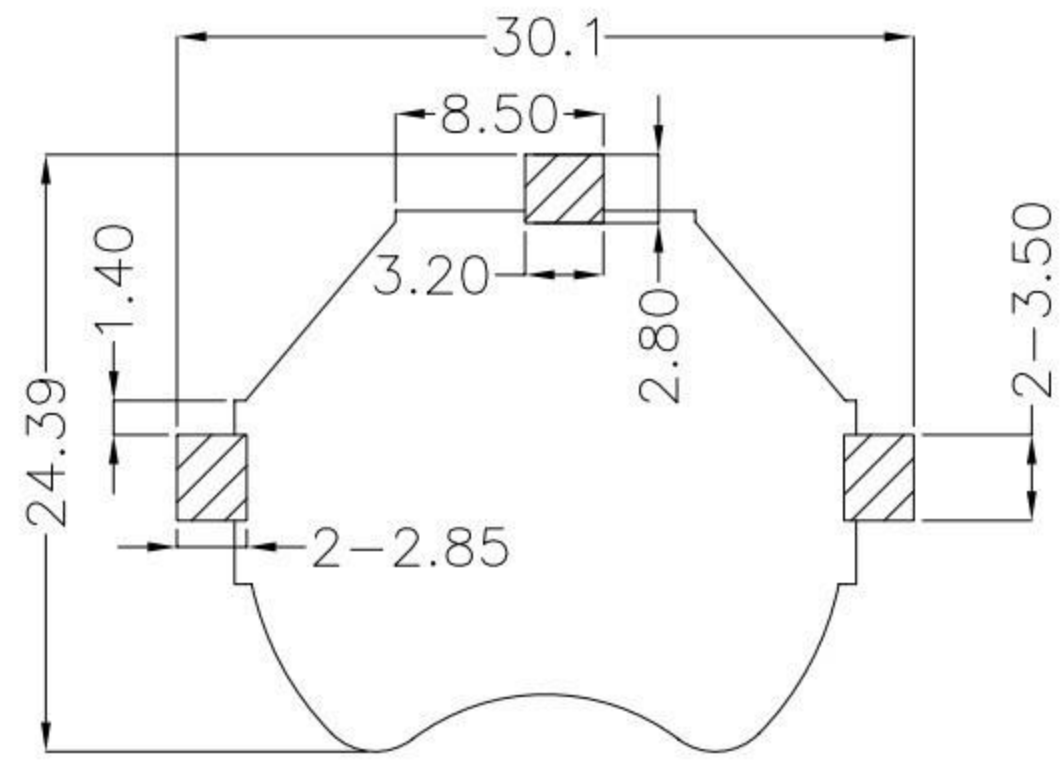
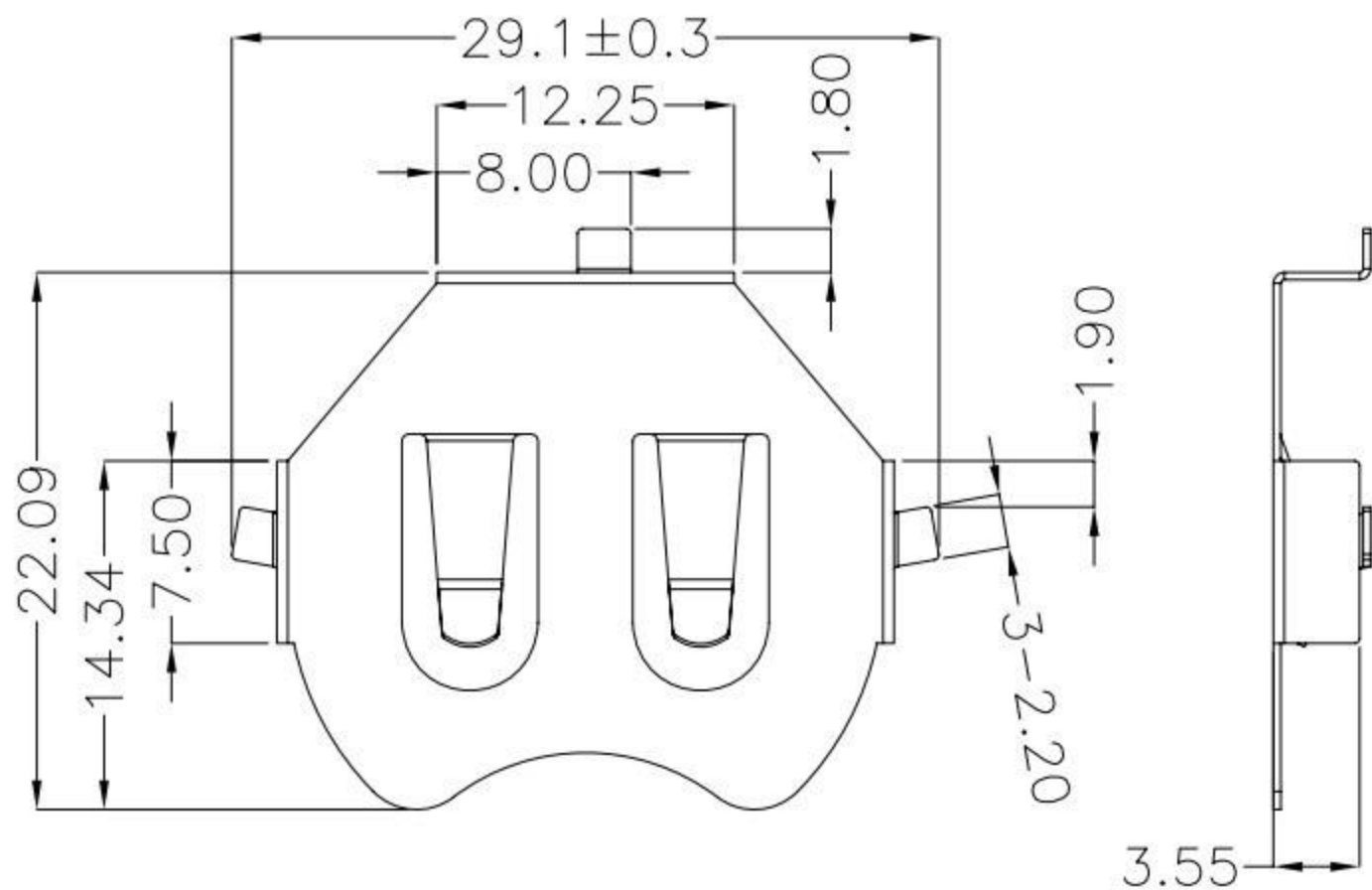


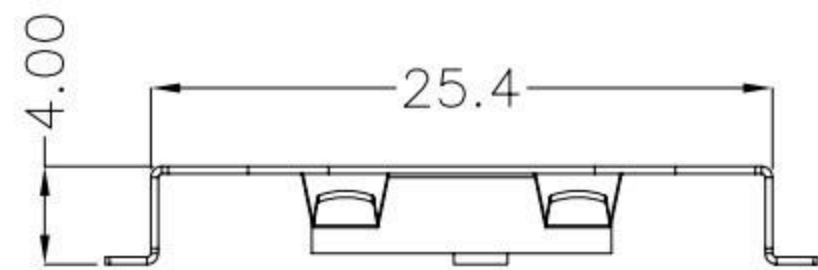


A型

REV.	ECN NO.	REVISED	DATE



PCB Layout Diagram
Top View



UNLESS OTHERWISE SPECIFIED TOLERANCES		廣東科斯達電子科技有限公司			
DECIMALS:	ANGLES:	DSND	DATE	2017-07-19	TITLE:
X : ±0.30	X : ±1°	CHKD	DATE	2017-07-19	
X.X : ±0.25	X.X : ±0.5°	APVD	DATE	2017-07-19	PART NO.:
X.XX : ±0.20		WEIGHT: 1.3g	SCALE: 2.5:1	SIZE: A4	VIEW:
X.XXX : ±0.10		SHEET 1 OF 1	UNIT: mm	REV.: A/0	OBJECT: MY
					DRAW NO.

1	TERMINAL(+)	1	PHOSPHOR BRONZE, T=0.30mm	Ni-Plating
NO.	PART NAME	Q'TY	MATERIAL	PLATING & COLOR