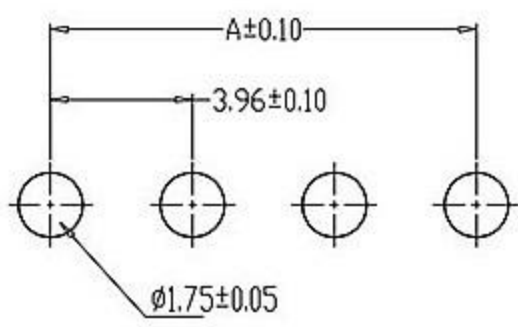
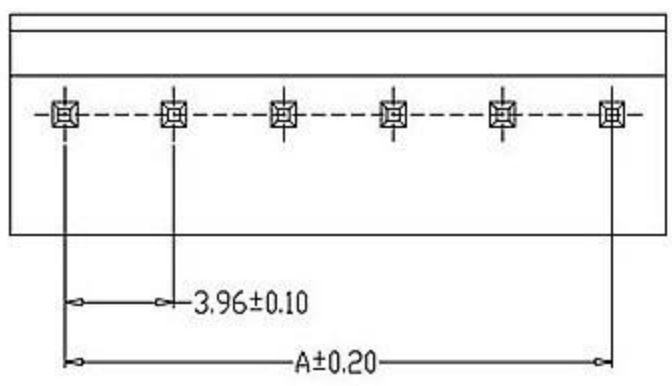


SPECIFICATIONS

Current rating : 2.0A AC , DC
 Voltage rating : 100V AC , DC
 Temperature rating : -25°C ~ +85°C
 Insulation resistance : 1,000MΩ min.
 Withstand voltage : 800V AC/minute
 Contact resistance : 20mΩ /Max
 Material:
 Housing : Nylon 66, UL94V-2
 Pin : Brass / Tin-plated
 Contact : Phosphor Bronze



pin数	A尺寸	B尺寸
2pin	3.96	7.92
3pin	7.92	11.88
4pin	11.88	15.84
5pin	15.84	19.80
6pin	19.80	23.76
7pin	23.76	27.72
8pin	27.72	31.68

廣東科斯達電子科技有限公司

TOLERANCE UNLESS OTHERWISE STATED :
 Up to 5 ±0.2
 Above 5 - 15 ±0.3
 Above 15 - 30 ±0.4
 Above 30 - 50 ±0.5
 Angle ±0.3

3RD. ANGEL'S



UNITS

MM

DRAWN BY:	DATE	MAT'L	TITLE	CONNECTOR
Jack Lu	11/13/12			
CHECKED BY:	DATE	FINISH	MODLE	
Jacky Chen	11/13/12			
APPROVED BY:	DATE	SCALE	DWG NO.	SIZE
Tony Kao	11/13/12	1 : 1		A4
		SHEET NO.	PART NO.	VER
		1 of 1		R

ITEM NO.	DESCRIPTION	DRAWN	DATE