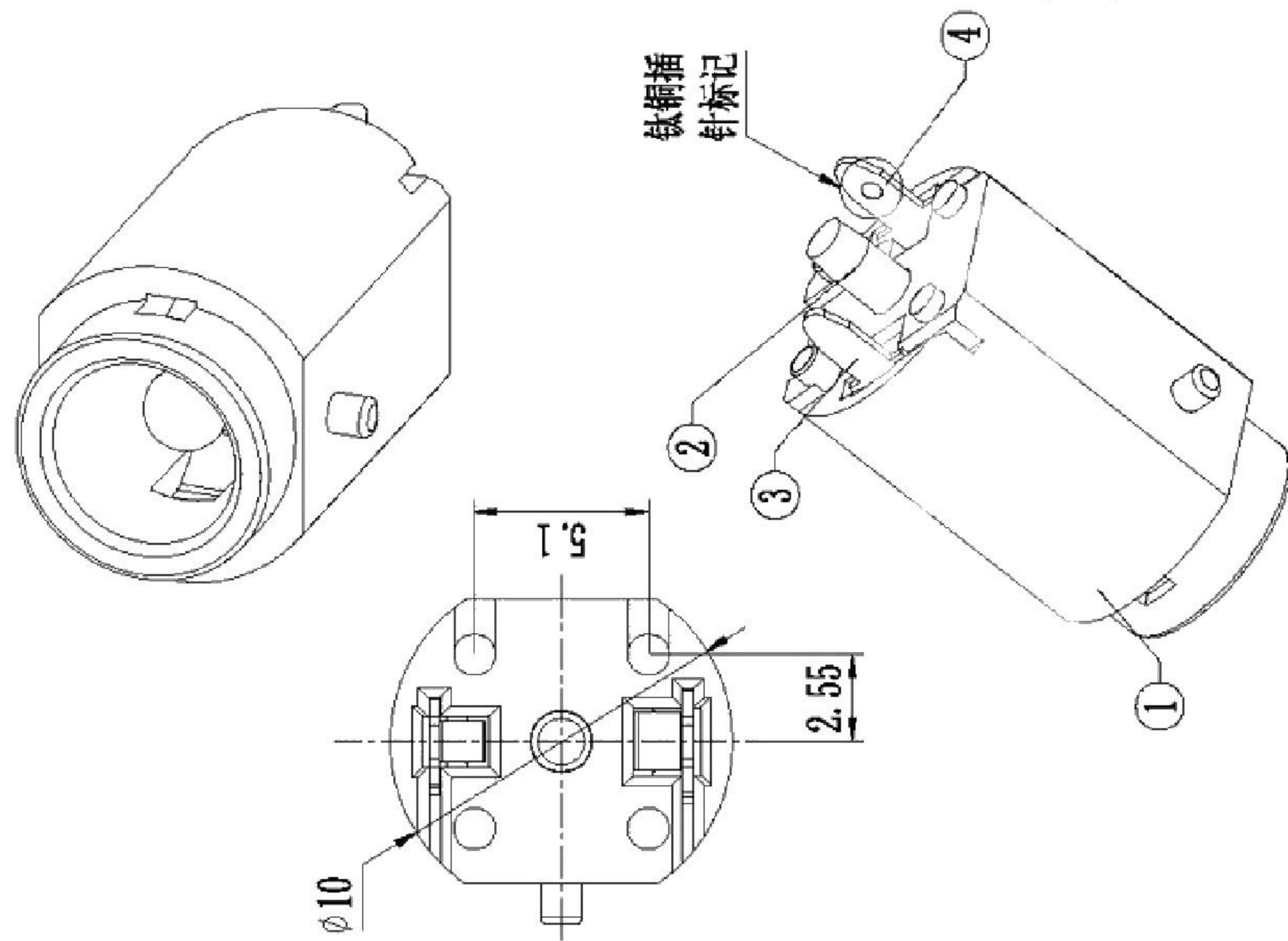
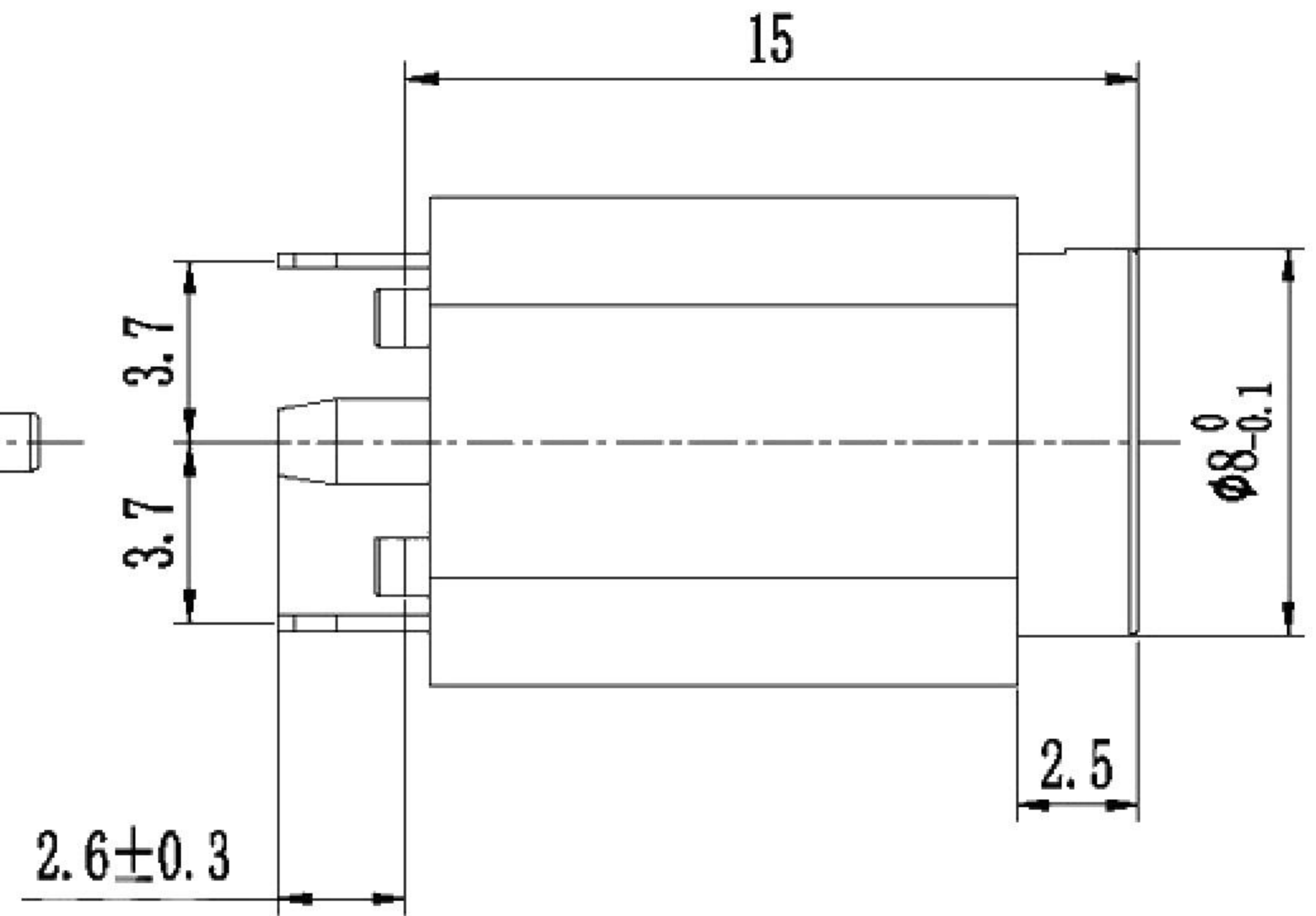
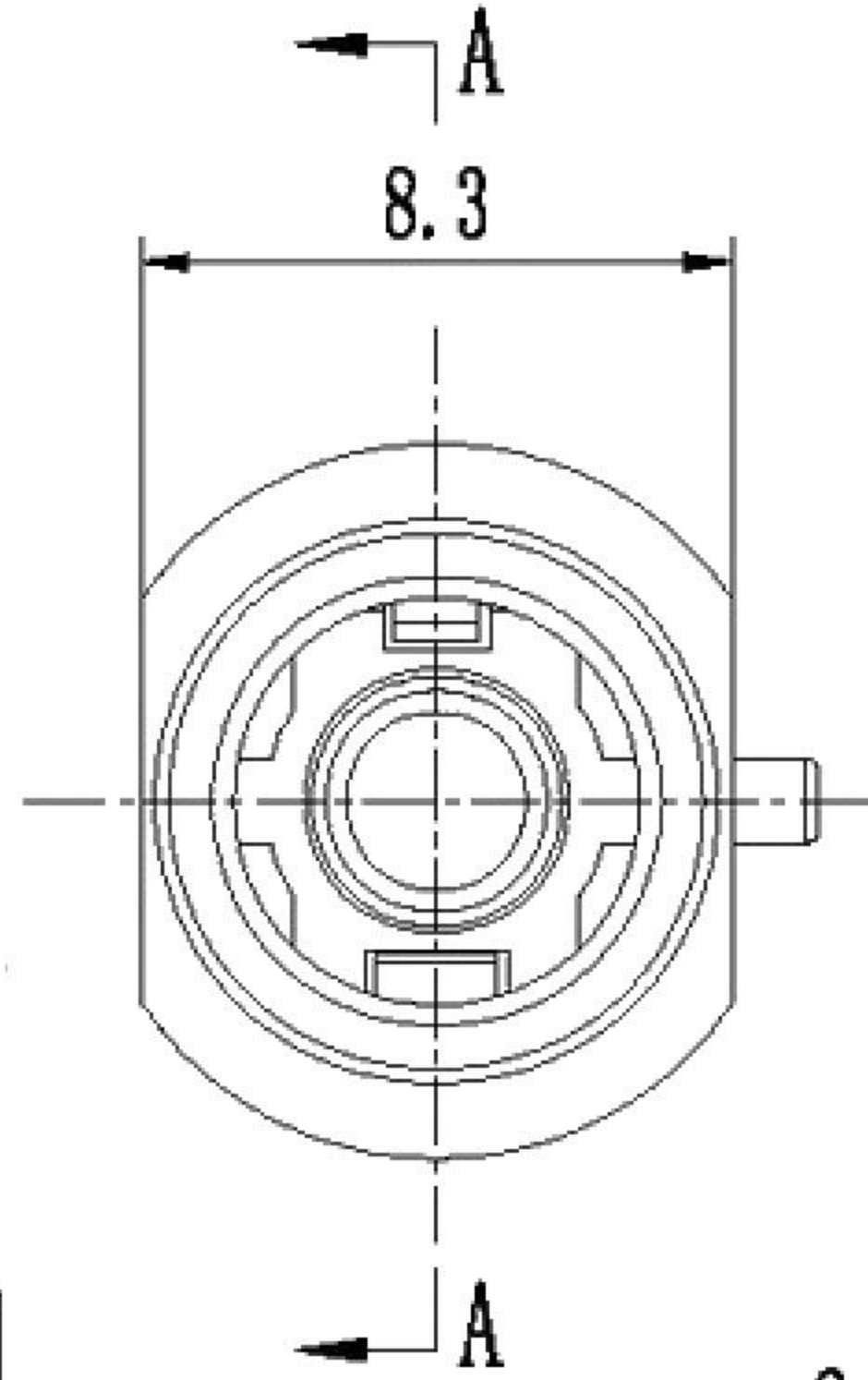
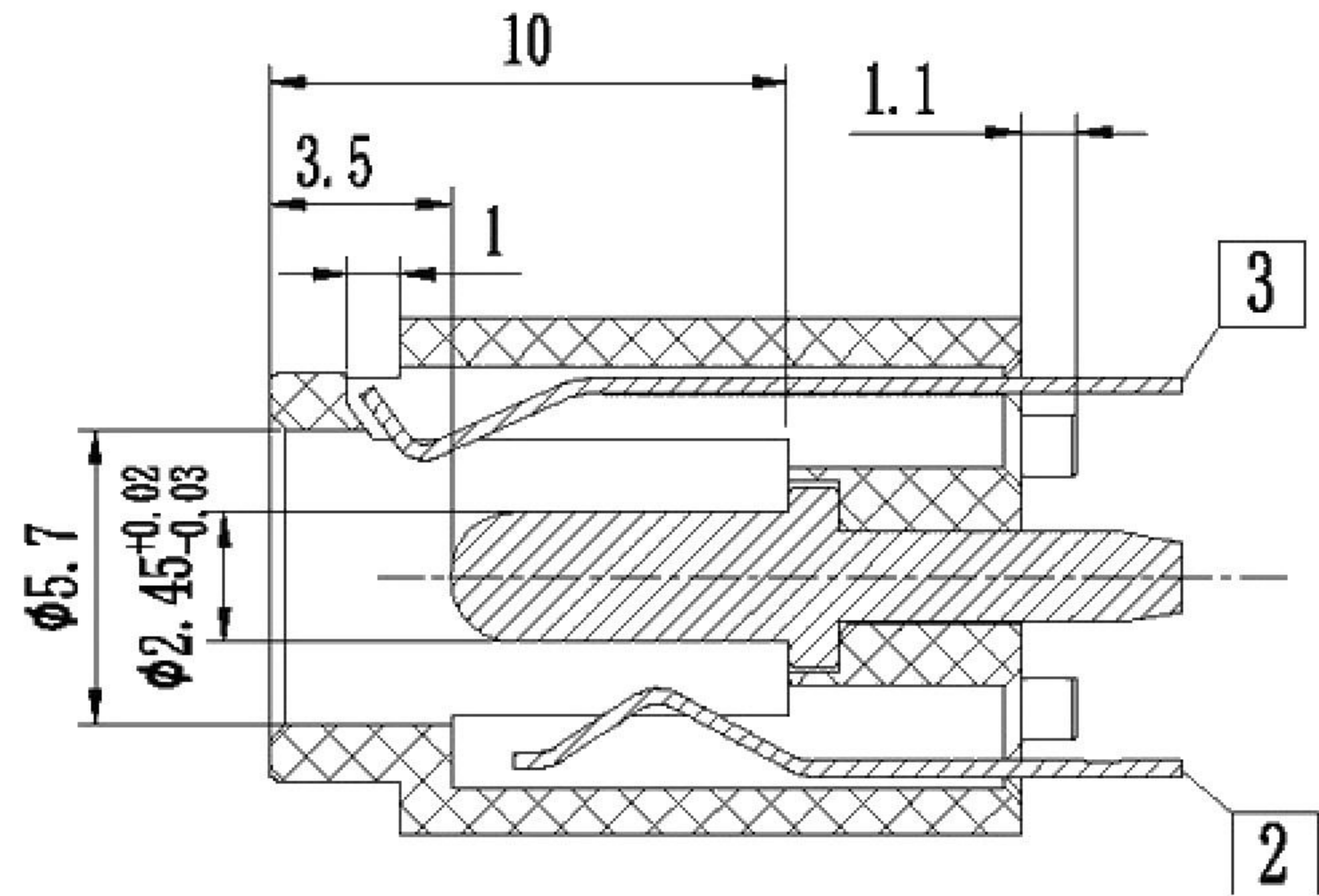
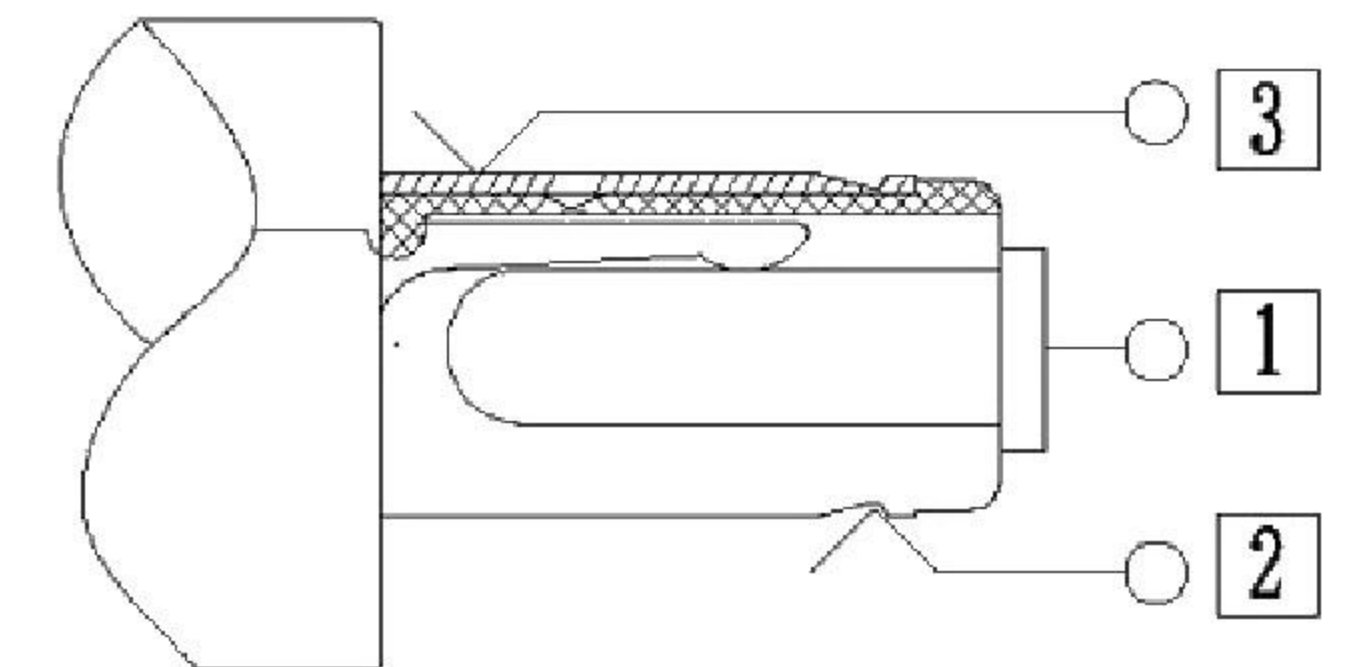
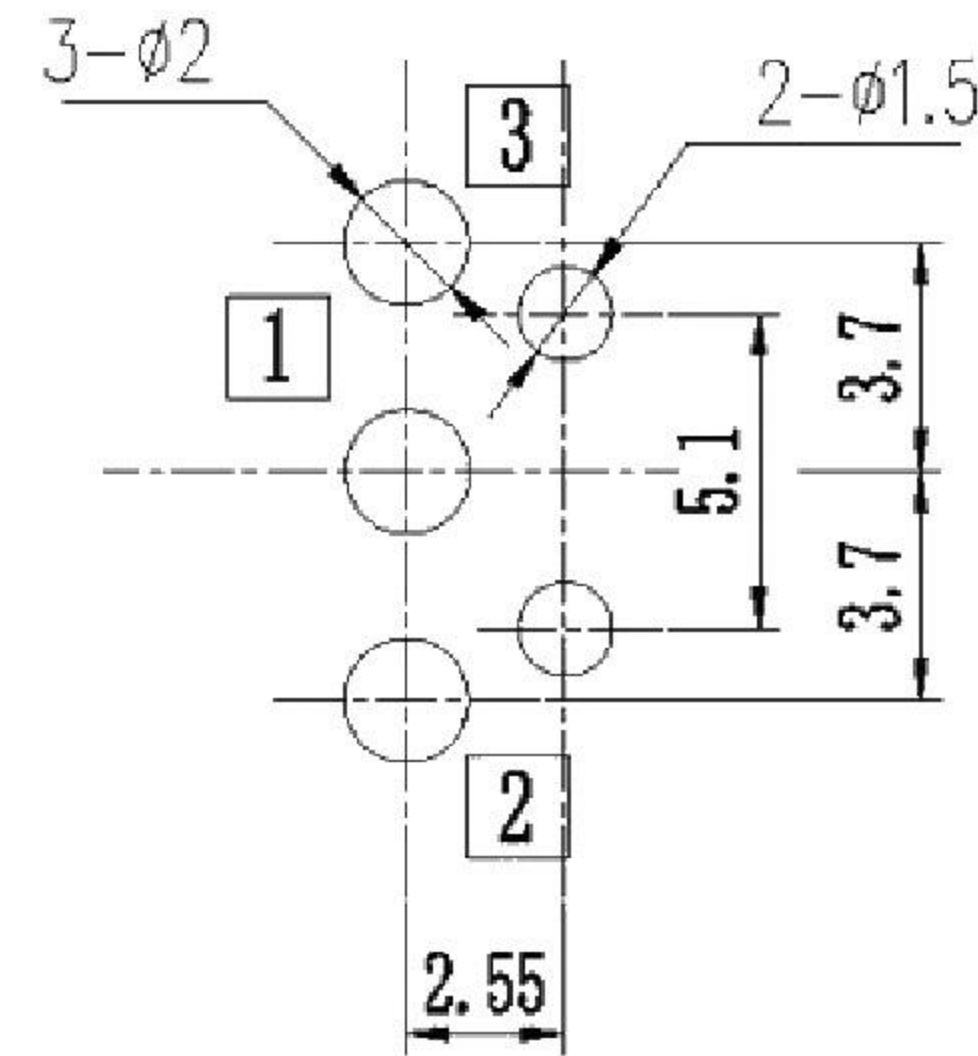


A-A
剖视图



PCB 插板
底部视图



DSND		DATE		SCALE: N/A	MODEL TYPE: DC POWER JACK	
DWN		DATE		VIEW:	PART NO.:	
CHKD		DATE		UNIT: mm	DWG NO.:	
APPD		DATE		SIZE: A4		
ANGLAR	±5°				WEIGHT	
△X	X.X				1.0g	
△X	X.XX				SHEET	
△X	X.XXX				1/1	
MARK	DESCRIPTION	DATE	REVISED	APPROVED	UNSPECIFIED TOLERANCES	REVISION
						A0

廣東科斯達電子科技有限公司