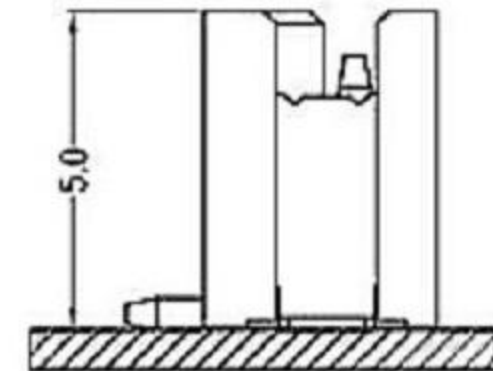
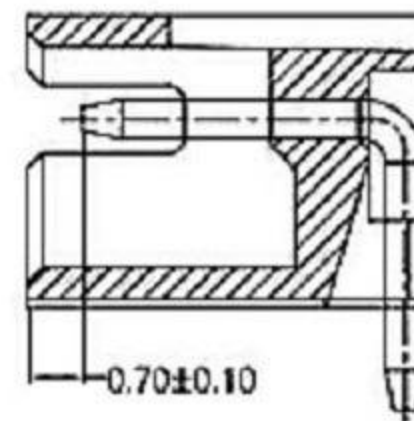
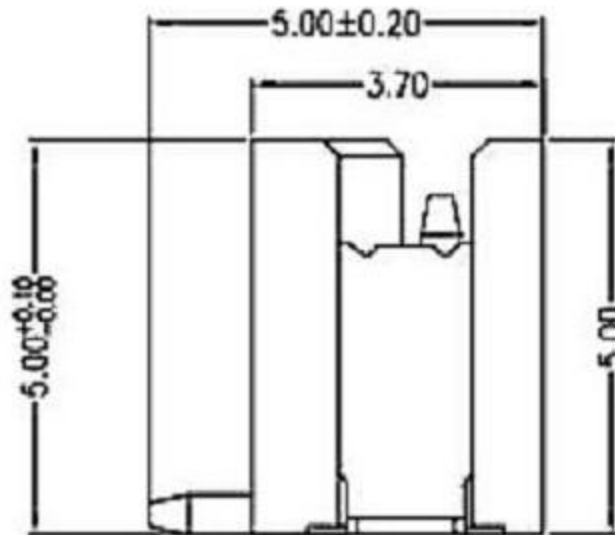
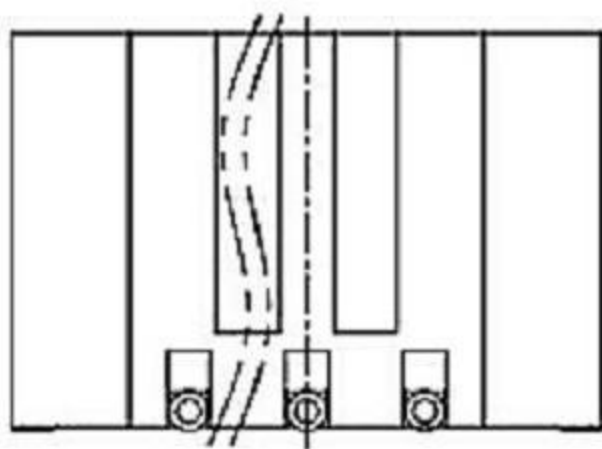
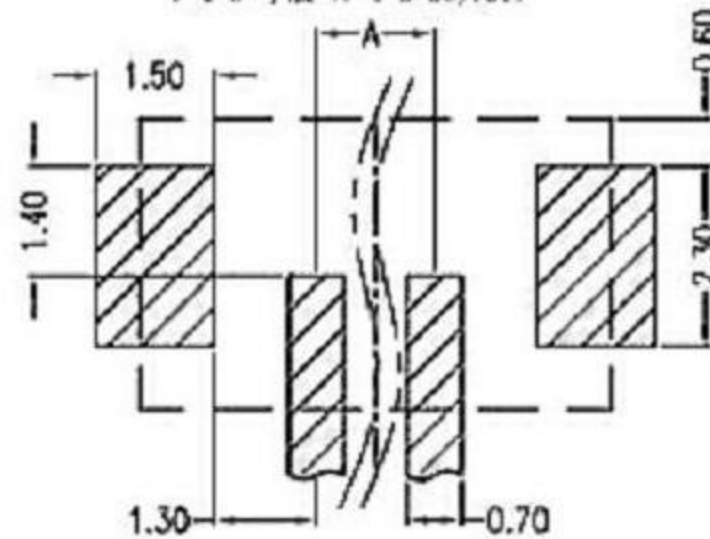
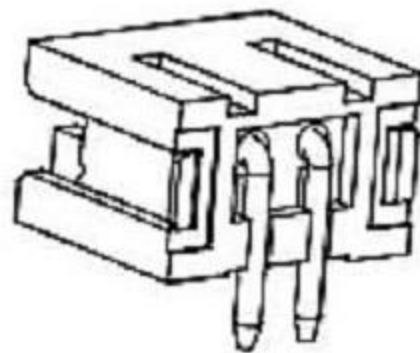
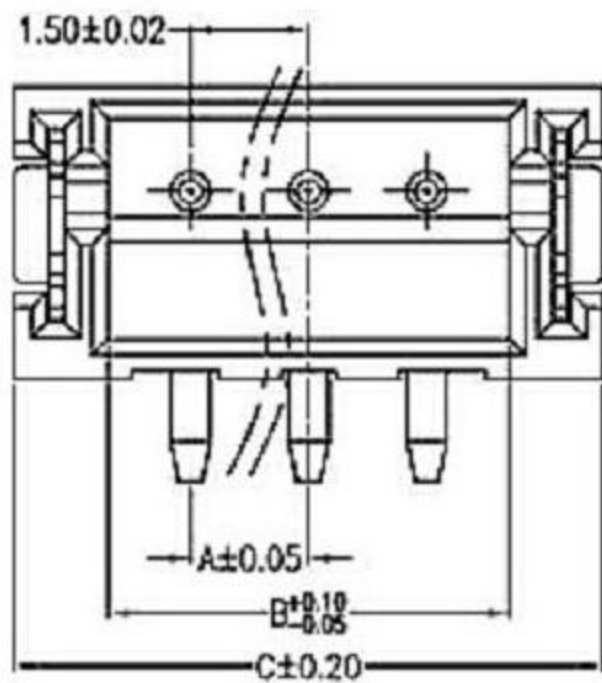




P C B 寸法 (P C B Layout)



安裝圖: (Assembly Layout)

SPECIFICATIONS

Current rating : 2.0A AC , DC  
 Voltage rating : 100V AC , DC  
 Temperature rating : -25°C ~ +85°C  
 Insulation resistance : 1,000MΩ min.  
 Withstand voltage : 800V AC/minute  
 Contact resistance : 20mΩ /Max  
 Material:  
 Housing : Nylon 66, UL94V-2  
 Pin : Brass / Tin-plated  
 Contact : Phosphor Bronze

Pin 數 尺寸	2P	3P	4P	5P	6P	7P	8P	9P	10P	11P	12P	13P	14P	15P	16P
A	1.50	3.00	4.50	6.00	7.50	9.00	10.50	12.00	13.50	15.00	16.50	18.00	19.50	21.00	22.50
B	3.60	5.10	6.60	8.10	9.60	11.10	12.60	14.10	15.60	17.10	18.60	20.10	21.60	23.10	24.60
C	6.90	7.50	9.00	10.50	12.00	13.50	15.00	16.50	18.00	19.50	21.00	22.50	24.00	25.50	27.00

廣東科斯達電子科技有限公司

TOLERANCE UNLESS OTHERWISE STATED :  
 Up to 5 ±0.2  
 Above 5 ~ 15 ±0.3  
 Above 15 ~ 30 ±0.4  
 Above 30 ~ 50 ±0.5  
 Angle ±0.3

3RD. ANGEL'S



UNITS MM

DRAWN BY:	DATE	MAT'L	TITLE	CONNECTOR
Jack Lu	11/13/12			
CHECKED BY:	DATE	FINISH	MODLE	
Jacky Chen	11/13/12			
APPROVED BY:	DATE	SCALE	DWG NO.	SIZE
Tony Kao	11/13/12	1 : 1		A4
		SHEET NO.	PART NO.	VER
		1 of 1		R

ITEM NO.	DESCRIPTION	DRAWN	DATE
----------	-------------	-------	------