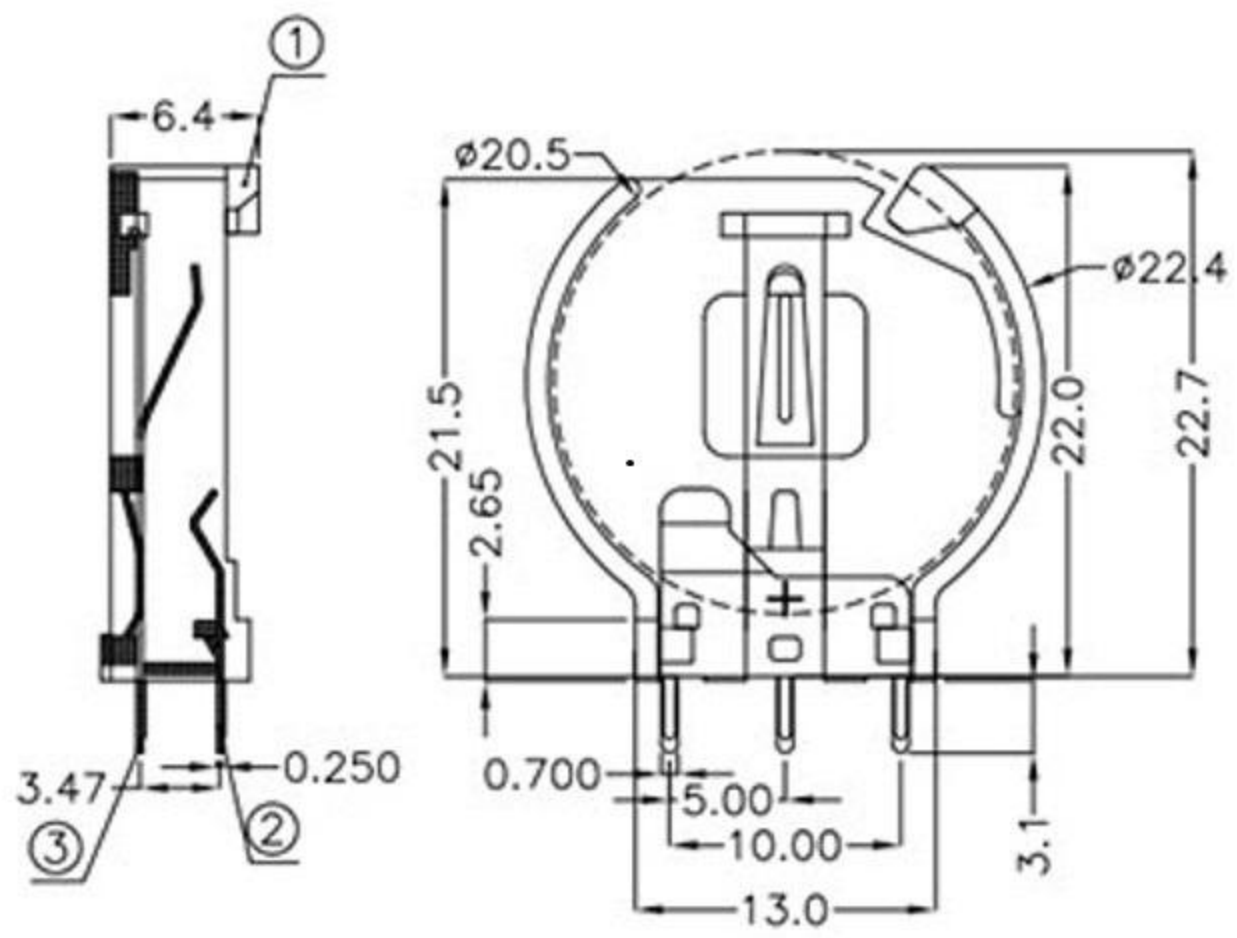


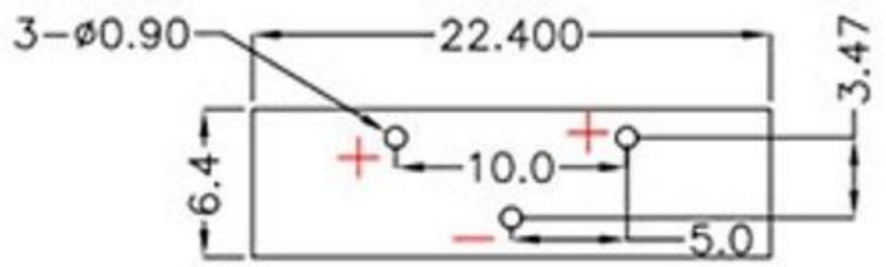
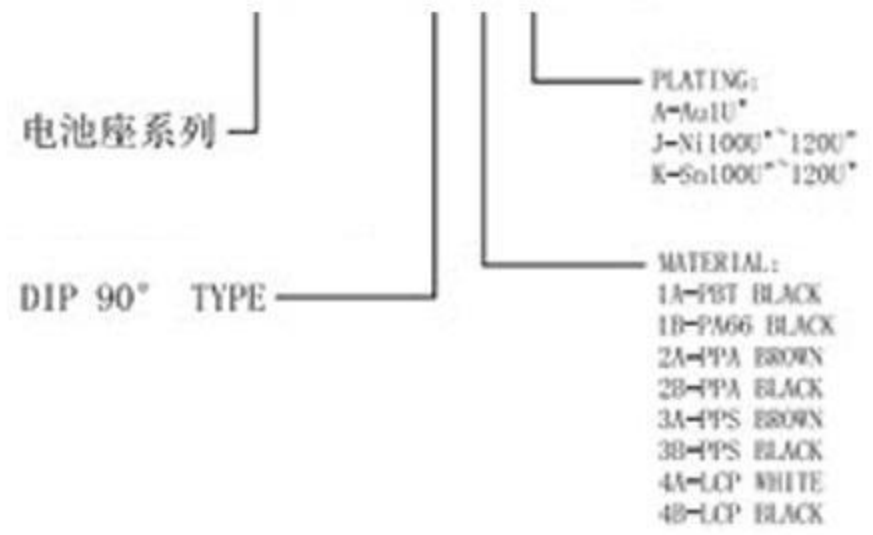


REV.	ECN NO.	REVISED	DATE

NOTE:
 1.MATERIAL:
 a.HOUSING:PA66 UL94V-0
 b.CONTACT:PHOSPHOR BRONZE
 (SURFACE PLATING: Ni100u"-120u")
 SEE ORDERING INFORMATION
 2.ELECTRIC:
 a.CONTACT RESISTANCE: 30 MILLIOHMS MAX
 b.INSULATION RESISTANCE: 1000 MEGA OHMS MIN
 c.DIELECTNIC VOLTAGE: 500V AC ONE SEC LEVEL
 d.OPERATING TEMPERATURE: -55°C~ +105°C



ORDERING INFORMATION



PCB Layout Diagram
Top View

NO.	PART NAME	Q'TY	MATERIAL	PLATING & COLOR
3	TERMINAL(-)	1	PHOSPHOR BRONZE, T=0.25MM	Ni-Plating
2	TERMINAL(+)	1	PHOSPHOR BRONZE, T=0.25MM	Ni-Plating
1	HOUSING	1	PA66	BLACK

UNLESS OTHERWISE SPECIFIED TOLERANCES

DECIMALS: X ±0.30 X.X ±0.25 X.XX ±0.20 X.XXX ±0.10

ANGLES: X ±1° X.X ±0.5°

廣東科斯達電子科技有限公司

OSND	DATE	2017-07-16	TITLE:
CHKD	DATE	2017-07-16	
APVD	DATE	2017-07-16	PART NO.:
WEIGHT: 1.7g	SCALE: 2:1	SIZE: A4	VIEW:
SHEET 1 OF 1	UNIT: mm	REV.: A/0	OBJECT: MY
			DRAW NO.: