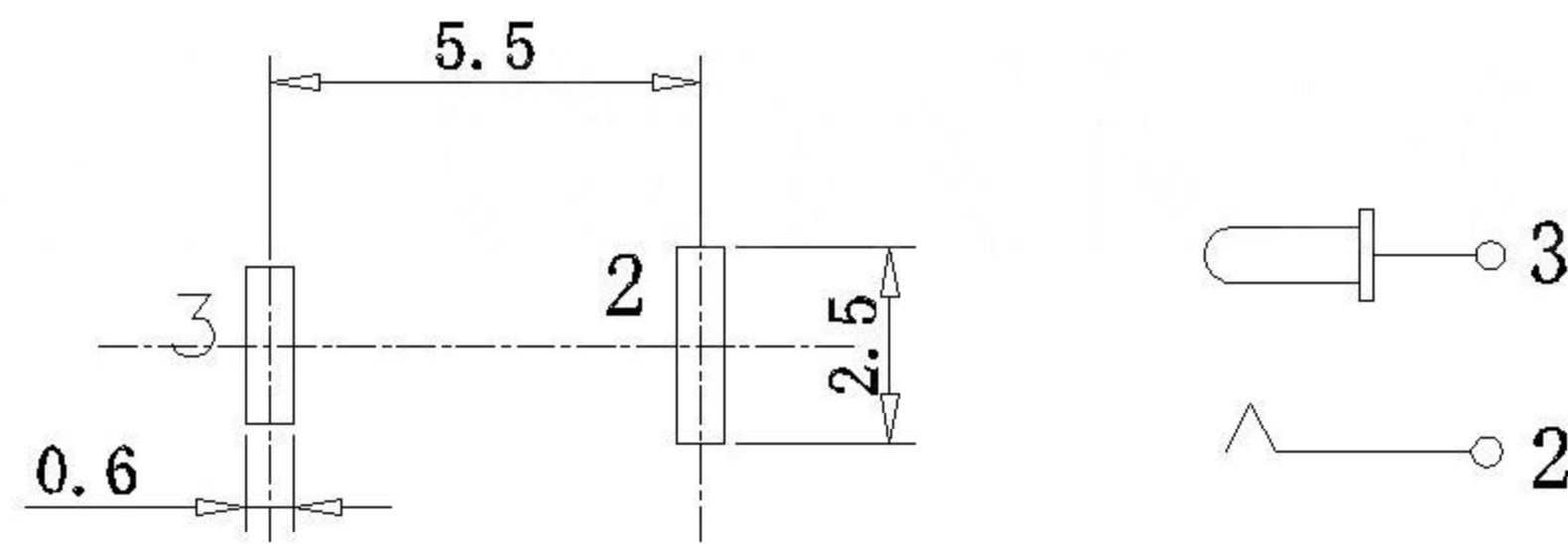


MATING PLUG  
Jack Insertion Depth: 9.15 mm



	MATERIAL	PLATING
axle sleeve	Brass	tin
nut	Brass	tin
plastic	Pbt	
center pin	Brass	tin
terminal 2	Brass	tin
terminal 3	Phosphor Bronze	tin

MARK	DESCRIPTION	DATE	REVISED	APPROVED	UNSPECIFIED TOLERANCES	DSND	DATE	SCALE: N/A	MODEL TYPE: DC POWER JACK
ΔX					ANGLAR ±5°	DWN	DATE	VIEW:	PART NO.:
ΔX					X.X ±0.2mm	CHKD	DATE	UNIT: mm	DWG NO.:
ΔX					X.XX ±0.1mm	APPD	DATE	SIZE: A4	
					X.XXX ±0.05mm	<b>廣東科斯達電子科技有限公司</b>			WEIGHT 1.0g
									SHEET 1/1
									REVISION A0