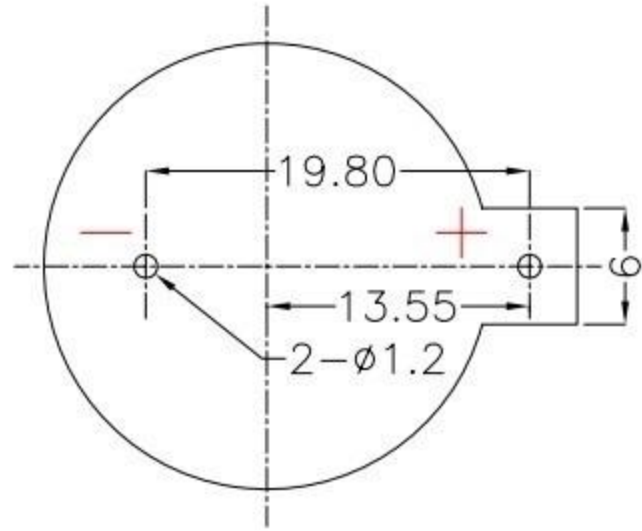
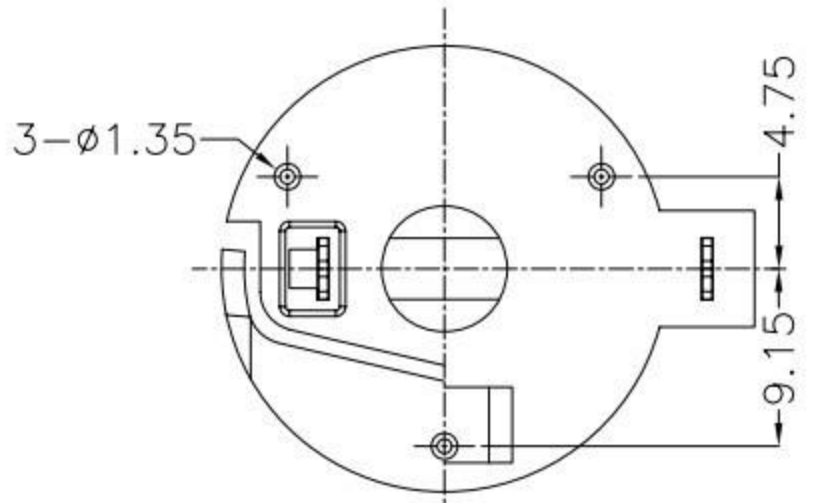
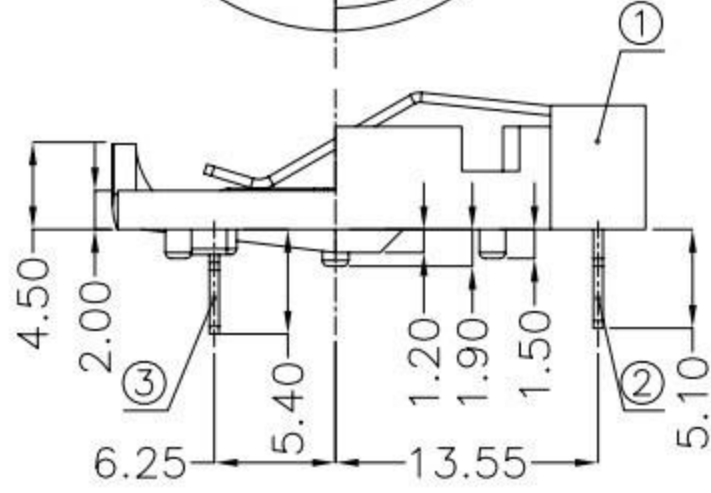
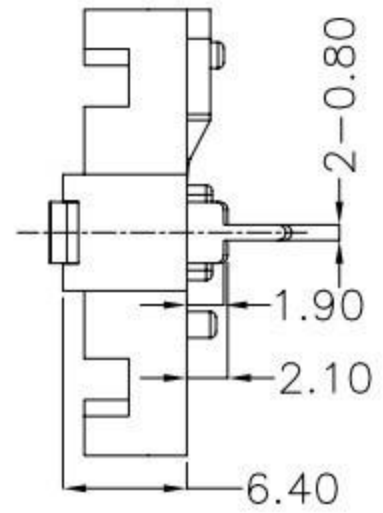
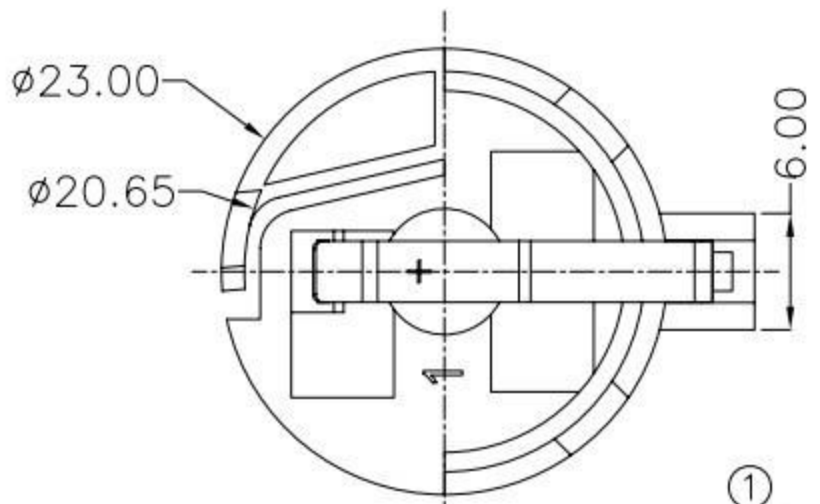




REV.	ECN NO.	REVISED	DATE

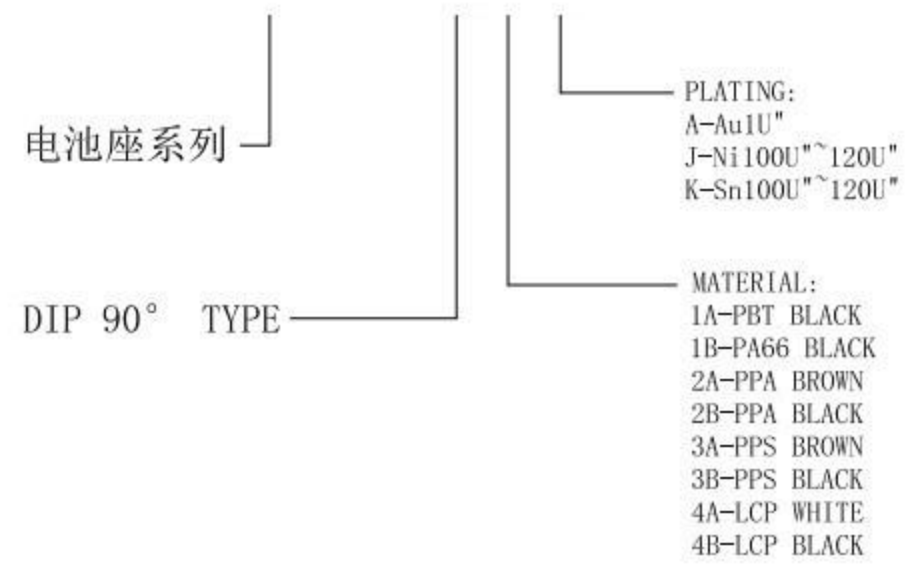


PCB Layout Diagram  
Top View

NOTE:

- 1.MATERIAL:
  - a.HOUSING:PBT
  - b.CONTACT:Mn Steel  
(SURFACE PLATING: Ni100u"-120u")  
SEE ORDERING INFORMATION
- 2.ELECTRIC:
  - a.CONTACT RESISTANCE: 30 MILLIOHMS MAX
  - b.INSULATION RESISTANCE: 1000 MEGA OHMS MIN
  - c.DIELECTNIC VOLTAGE: 500V AC ONE SEC LEVEL
  - d.OPERATING TEMPERATURE: -25°C~ +85°C

ORDERING INFORMATION



3	TERMINAL(-)	1	Mn Steel, T=0.50mm	Ni Plating
2	TERMINAL(+)	1	Mn Steel, T=0.50mm	Ni Plating
1	HOUSING	1	PBT	BLACK
NO.	PART NAME	Q'TY	MATERIAL	PLATING & COLOR

UNLESS OTHERWISE SPECIFIED TOLERANCES				<b>廣東科斯達電子科技有限公司</b>			
DECIMALS:	ANGLES:	DSND	DATE	2017-07-16	TITLE:		
X :±0.30	X :±1°	CHKD	DATE	2017-07-16	PART NO.:		
X.X :±0.25	X.X :±0.5°	APVD	DATE	2017-07-16	DRAW NO.		
X.XX :±0.20		WEIGHT: 1.93g	SCALE: 2:1	SIZE: A4	VIEW:		
X.XXX :±0.10		SHEET 1 OF 1	UNIT: mm	REV.: A/0	OBJECT: MY		