

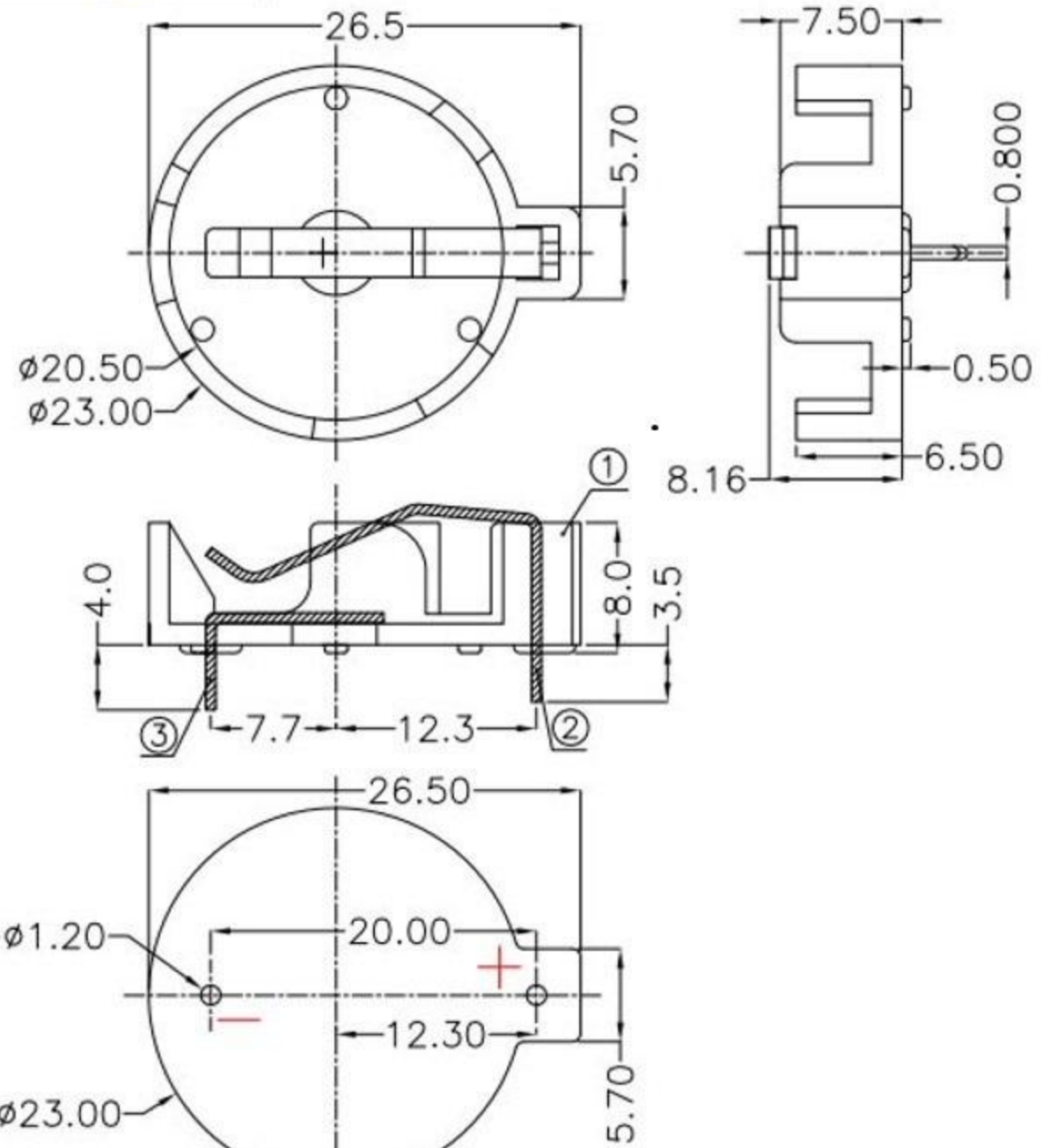
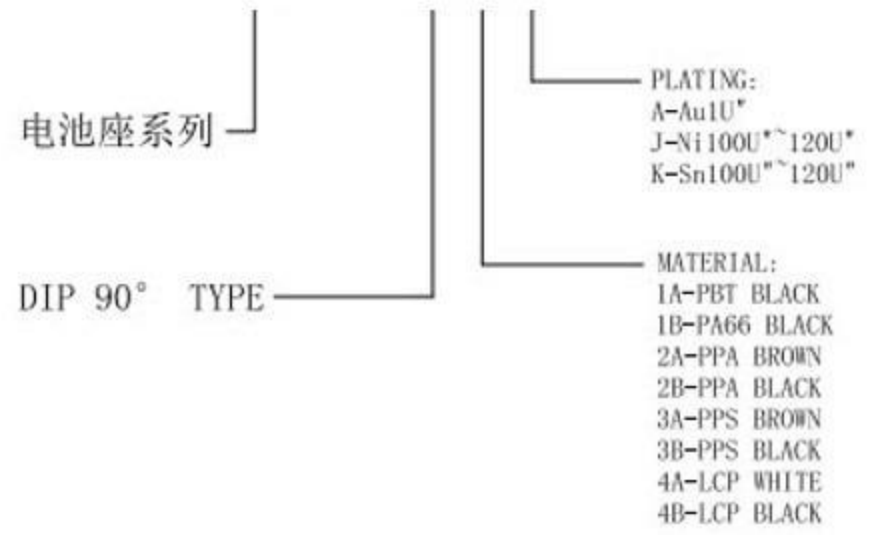


REV.	ECN NO.	REVISED	DATE

NOTE:

- 1.MATERIAL:
 - a.HOUSING:PBT UL94V-0
 - b.CONTACT:BRASS
(SURFACE PLATING: Sn100u"-120u")
SEE ORDERING INFORMATION
- 2.ELECTRIC:
 - a.CONTACT RESISTANCE: 30 MILLIOHMS MAX
 - b.INSULATION RESISTANCE: 1000 MEGA OHMS MIN
 - c.DIELECTNIC VOLTAGE: 500V AC ONE SEC LEVEL
 - d.OPERATING TEMPERATURE: -25°C~ +85°C

ORDERING INFORMATION



PCB Layout Diagram
Top View

UNLESS OTHERWISE SPECIFIED TOLERANCES		廣東科斯達電子科技有限公司			
DECIMALS:	ANGLES:	DSND	DATE	2017-07-16	TITLE:
X : ±0.30	X : ±1°	CHKD	DATE	2017-07-16	PART NO.:
X.X : ±0.25	X.X : ±0.5°	APVD	DATE	2017-07-16	
X.XX : ±0.20		WEIGHT: 1.8g	SCALE: 2:1	SIZE: A4	VIEW:
X.XXX : ±0.10		SHEET 1 OF 1	UNIT: mm	REV.: A/0	OBJECT: MY
		DRAW NO.:			

NO.	PART NAME	Q'TY	MATERIAL	PLATING & COLOR
3	TERMINAL(-)	1	BRASS, T=0.60mm	Sn-Plating
2	TERMINAL(+)	1	BRASS, T=0.60mm	Sn-Plating
1	HOUSING	1	PBT	BLACK