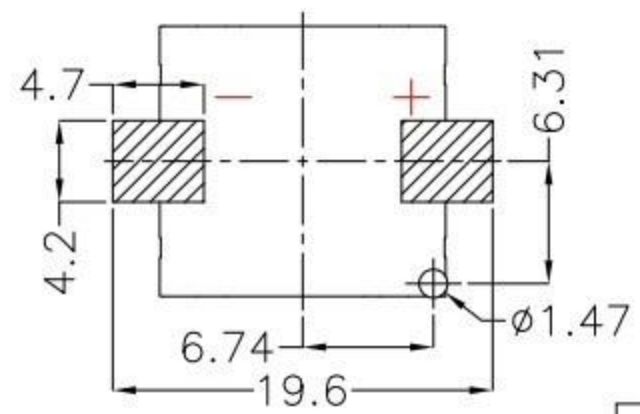
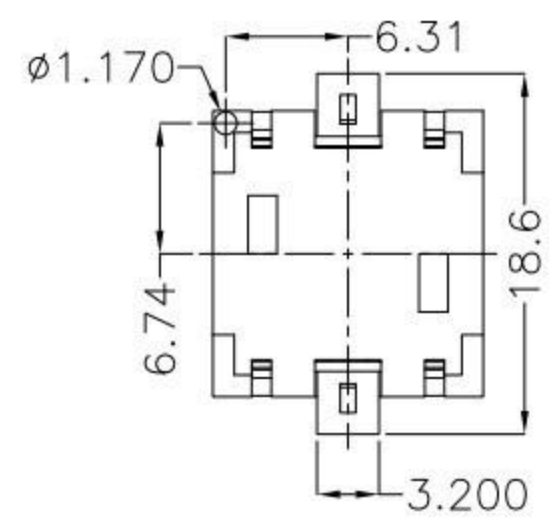
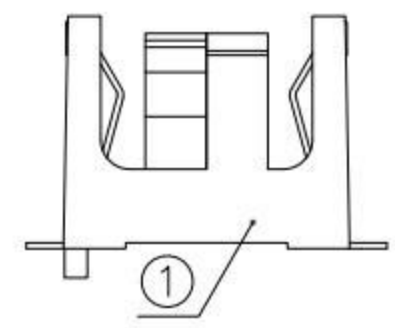
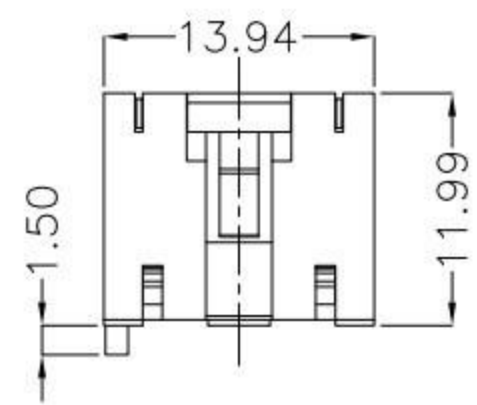
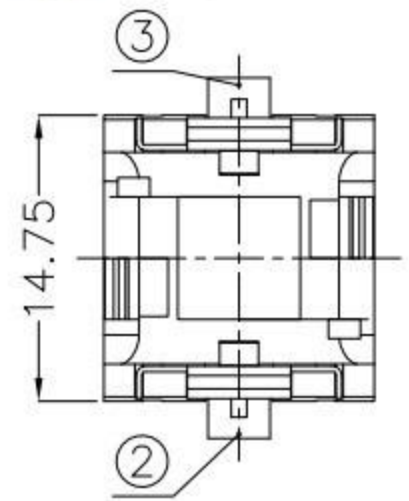




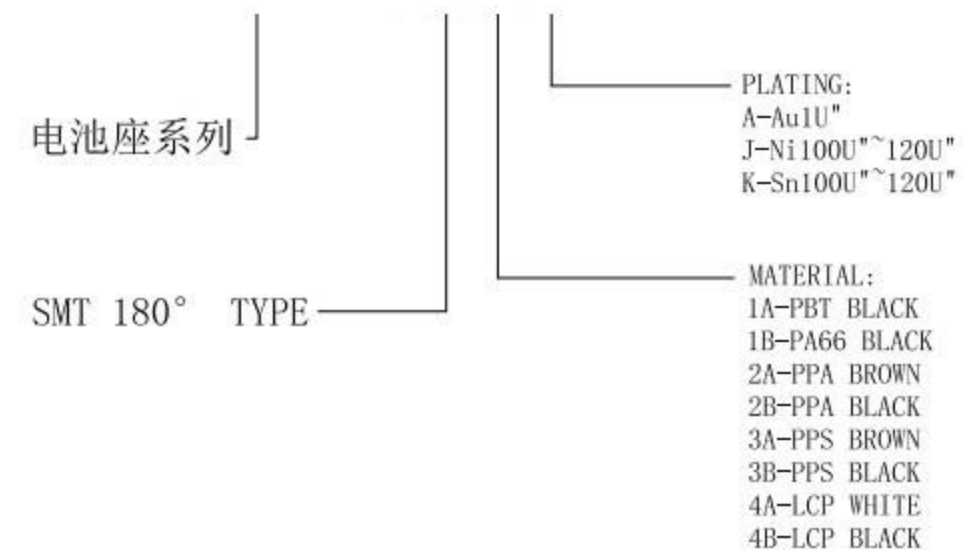
REV.	ECN NO.	REVISED	DATE



PCB Layout Diagram
Top View

- 1.MATERIAL:
 a.HOUSING:PPA
 b.CONTACT:PHOSPHOR BRONZE
 (SURFACE PLATING:AU1U")
 SEE ORDERING INFORMATION
- 2.ELECTRIC:
 a.CONTACT RESISTANCE: 30 MILLIOHMS MAX
 b.INSULATION RESISTANCE: 1000 MEGA OHMS MIN
 c.DIELECTNIC VOLTAGE: 500V AC ONE SEC LEVEL
 d.OPERATING TEMPERATURE: -25°C~ +85°C

ORDERING INFORMATION



UNLESS OTHERWISE SPECIFIED TOLERANCES		廣東科斯達電子科技有限公司			
DECIMALS:	ANGLES:	DSND	DATE	2017-07-13	TITLE:
X :±0.30	X :±1°	CHKD	DATE	2017-07-13	
X.X :±0.25	X.X :±0.5°	APVD	DATE	2017-07-13	PART NO.:
X.XX :±0.20		WEIGHT: 1.91g	SCALE: 2:1	SIZE: A4	VIEW:
X.XXX :±0.10		SHEET 1 OF 1	UNIT: mm	REV.: A/0	OBJECT: MY
					DRAW NO.:

3	TERMINAL(-)	1	PHOSPHOR BRONZE, T=0.30mm	Gold Plating and Ni Under-Plating
2	TERMINAL(+)	1	PHOSPHOR BRONZE, T=0.30mm	Gold Plating and Ni Under-Plating
1	HOUSING	1	PPA	BLACK
NO.	PART NAME	Q'TY	MATERIAL	PLATING & COLOR