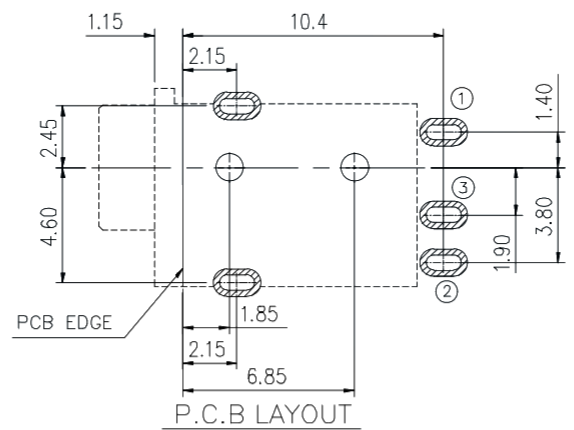
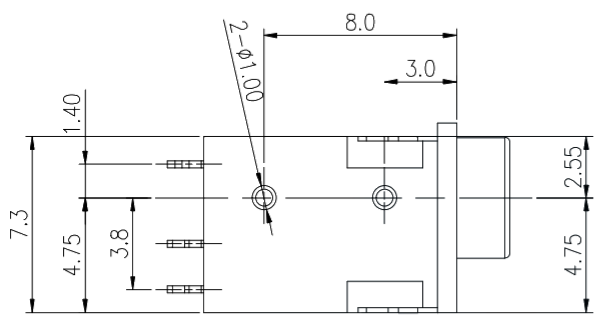
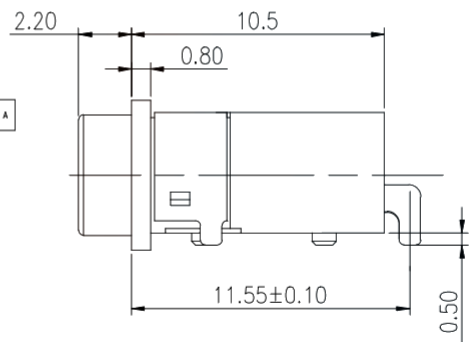
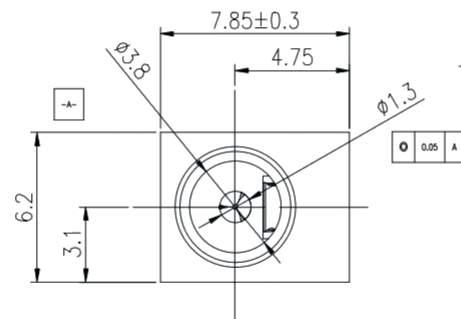
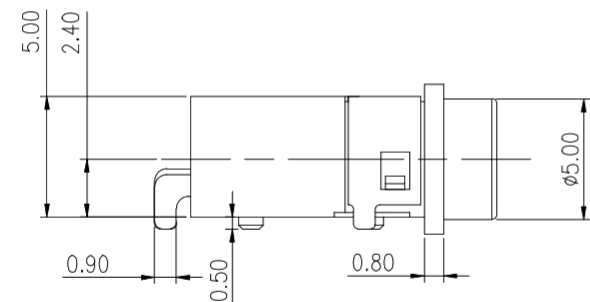


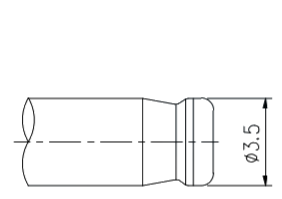


IP-X7
30min/1m

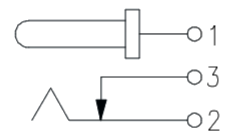
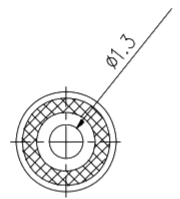


SPECIFICATIONS

1. ELECTRICAL CHARACTERISTICS:
 - 1-1.RATING: DC 3A 12V
 - 1-2.CONTACT RESISTANCE: 30m MAX(INITAL)
 - 1-3.DIELECTRIC WITHSTANDING
VOLTAGE: 500V AC FOR ONE MINUTE
 - 1-4.INSULATION RESISTANCE: 100M MIN,
MEASURED BY 500V DC
2. MECHANICAL PERFORMANCE
 - 2.1.OPERATING FORCE :0.5-2.0kgf
3. LIFE TEST
 - 3.1.3-1.ELECTRONICS LIFE TEST 5,000 CYCLES.



DC PLUG-REF



SCHEMATIC

NO.	PARTS	MATERIAL	QTY.	FINISHING
4	TERMINAL3	C2680-H	1	Au PLATED
3	TERMINAL1,2	C5210-H	2	Au PLATED
2	INSERT MOLDING	PA10T UL94-V0	1	BLACK
1	HOUSING	PA10T UL94-V0	1	BLACK

广东科斯达电子科技有限公司
KSDKG Guang dong Keside Electronic Technology Co., Ltd.

DRAWING:	Lucky	DATE:	2020.20.08	SCALE	5:1
CHECK:	liao Y K	DATE:	2020.20.06	MATERIAL	*
APPROVAL:	Abel	DATE:	2020.20.06	DWG. NO.	A
DRAWING NO.				SHEET	1/1

PART NAME	DC POWER JACK	TOLERANCE UNLESS	0.0±0.2	UNIT: mm	
PART NO.		OTHERWISE SPECIFIED:	0.00±0.1 0.000±0.05		