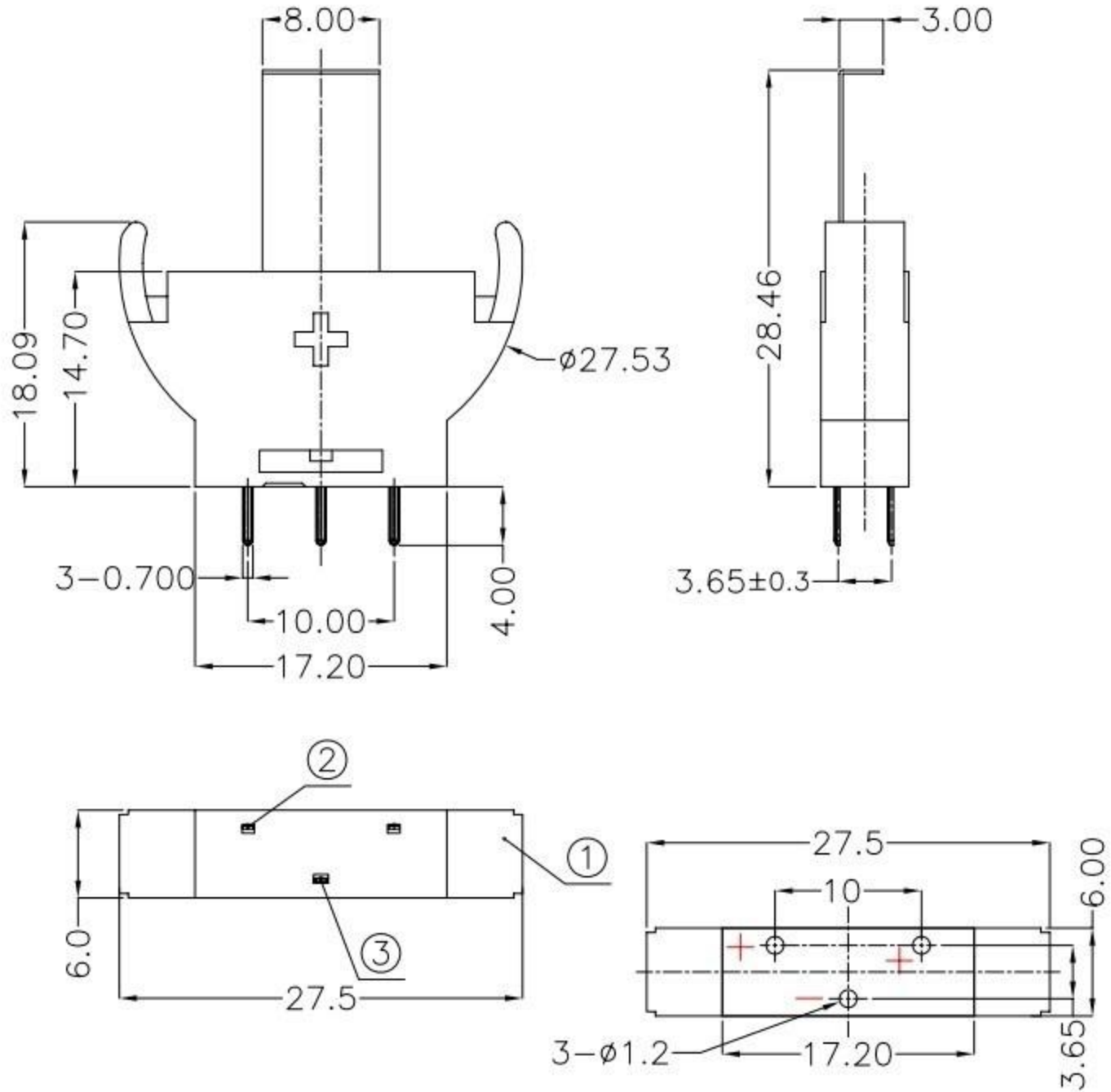




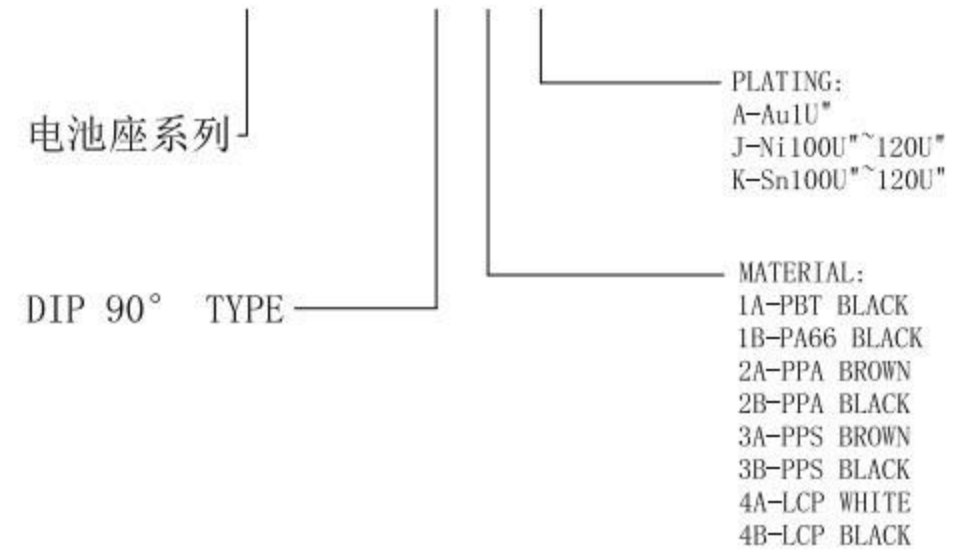
|      |         |         |      |
|------|---------|---------|------|
| REV. | ECN NO. | REVISED | DATE |
|      |         |         |      |



NOTE:

- MATERIAL:
  - a. HOUSING: PA66
  - b. CONTACT: PHOSPHOR BRONZE (SURFACE PLATING: Sn 100u"~120u")
  - SEE ORDERING INFORMATION
- ELECTRIC:
  - a. CONTACT RESISTANCE: 30 MILLIOHMS MAX
  - b. INSULATION RESISTANCE: 1000 MEGA OHMS MIN
  - c. DIELECTRIC VOLTAGE: 500V AC ONE SEC LEVEL
  - d. OPERATING TEMPERATURE: -25°C~ +85°C

ORDERING INFORMATION



PCB Layout Diagram  
Top View

|                                       |            |                      |            |            |            |
|---------------------------------------|------------|----------------------|------------|------------|------------|
| UNLESS OTHERWISE SPECIFIED TOLERANCES |            | <b>廣東科斯達電子科技有限公司</b> |            |            |            |
| DECIMALS:                             | ANGLES:    | DSND                 | DATE       | 2017-07-16 | TITLE:     |
| X :±0.30                              | X :±1°     | CHKD                 | DATE       | 2017-07-16 |            |
| X.X :±0.25                            | X.X :±0.5° | APVD                 | DATE       | 2017-07-16 | PART NO.:  |
| X.XX :±0.20                           |            | WEIGHT: 2.35g        | SCALE: 2:1 | SIZE: A4   | VIEW:      |
| X.XXX :±0.10                          |            | SHEET 1 OF 1         | UNIT: mm   | REV.: A/0  | OBJECT: MY |
|                                       |            |                      |            |            | DRAW NO.:  |

|     |             |      |                          |                 |
|-----|-------------|------|--------------------------|-----------------|
| 3   | TERMINAL(-) | 1    | PHOSPHOR BRONZE,T=0.25mm | Sn Plating      |
| 2   | TERMINAL(+) | 1    | PHOSPHOR BRONZE,T=0.25mm | Sn Plating      |
| 1   | HOUSING     | 1    | PA66                     | BLACK           |
| NO. | PART NAME   | Q'TY | MATERIAL                 | PLATING & COLOR |