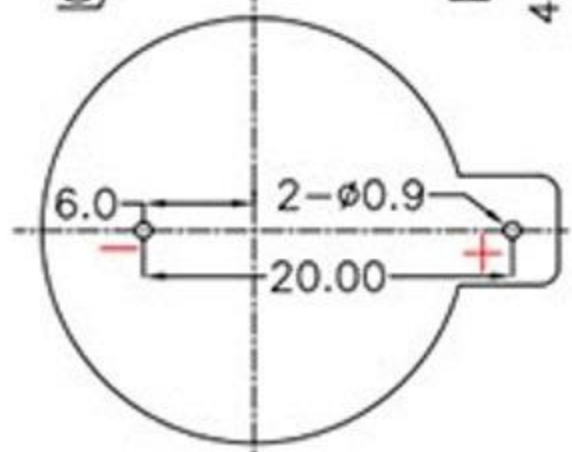
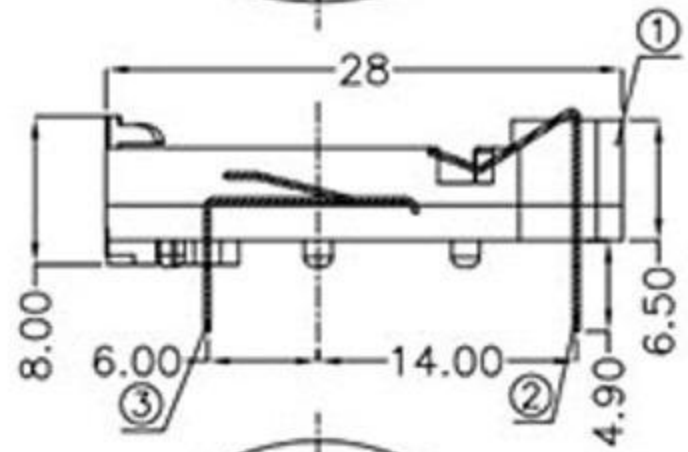
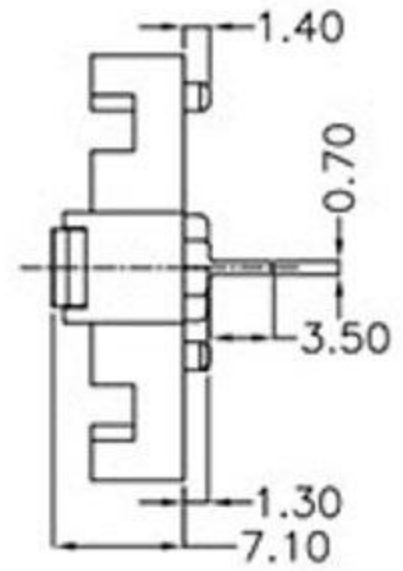
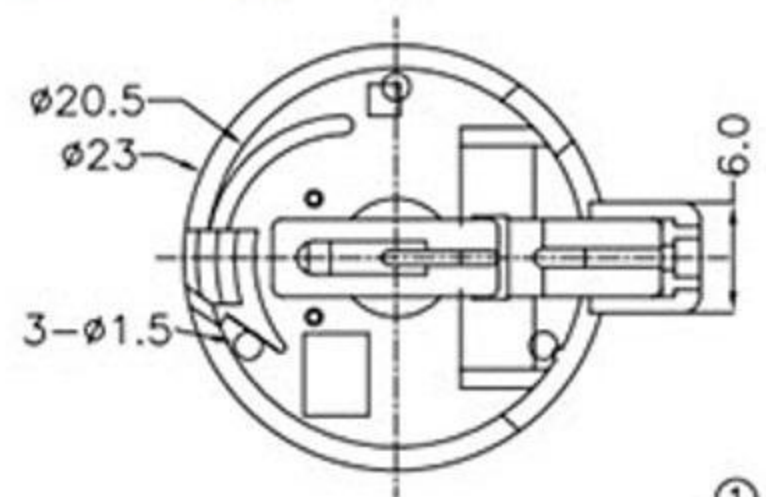




REV.	ECN NO.	REVISED	DATE

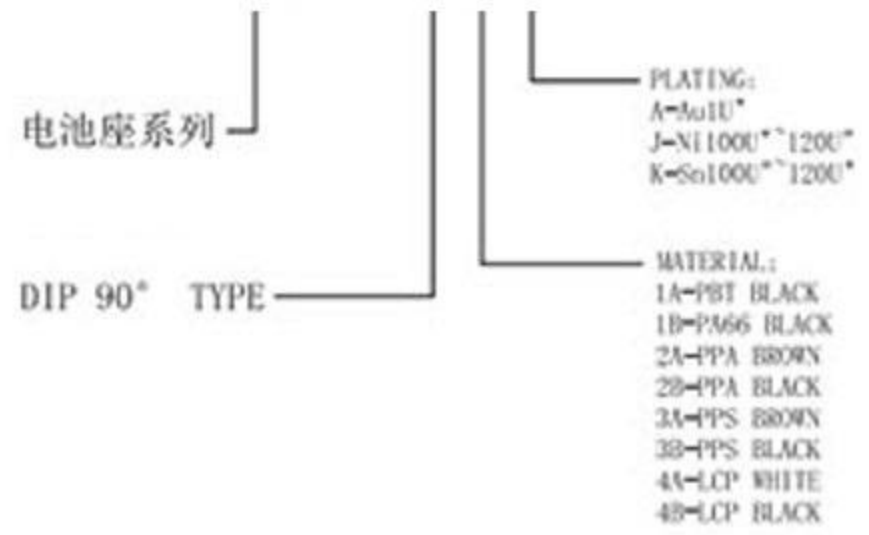


PCB Layout Diagram
Top View

NOTE:

- 1.MATERIAL:
 - a.HOUSING:PBT
 - b.CONTACT:BRASS
(SURFACE PLATING: Sn100u"-120u")
SEE ORDERING INFORMATION
- 2.ELECTRIC:
 - a.CONTACT RESISTANCE: 30 MILLIOHMS MAX
 - b.INSULATION RESISTANCE: 1000 MEGA OHMS MIN
 - c.DIELECTNIC VOLTAGE: 500V AC ONE SEC LEVEL
 - d.OPERATING TEMPERATURE: -25°C~ +85°C

ORDERING INFORMATION



NO.	PART NAME	QTY	MATERIAL	PLATING & COLOR
3	TERMINAL(-)	1	BRASS, T=0.30mm	Sn Plating
2	TERMINAL(+)	1	BRASS, T=0.30mm	Sn Plating
1	HOUSING	1	PBT	BLACK

UNLESS OTHERWISE SPECIFIED TOLERANCES				廣東科斯達電子科技有限公司			
DECIMALS:	X : ±0.30	X.X : ±0.25	X.XX : ±0.20				
DSND		DATE	2017-12-14	TITLE:			
CHKD		DATE	2017-12-14	PART NO.:			
APVD		DATE	2017-12-14	VIEW:			
WEIGHT:	1.8g	SCALE:	2:1	SIZE:	A4	OBJECT:	MY
SHEET	1 OF 1	UNIT:	mm	REV.:	A/0	DRAW NO.:	