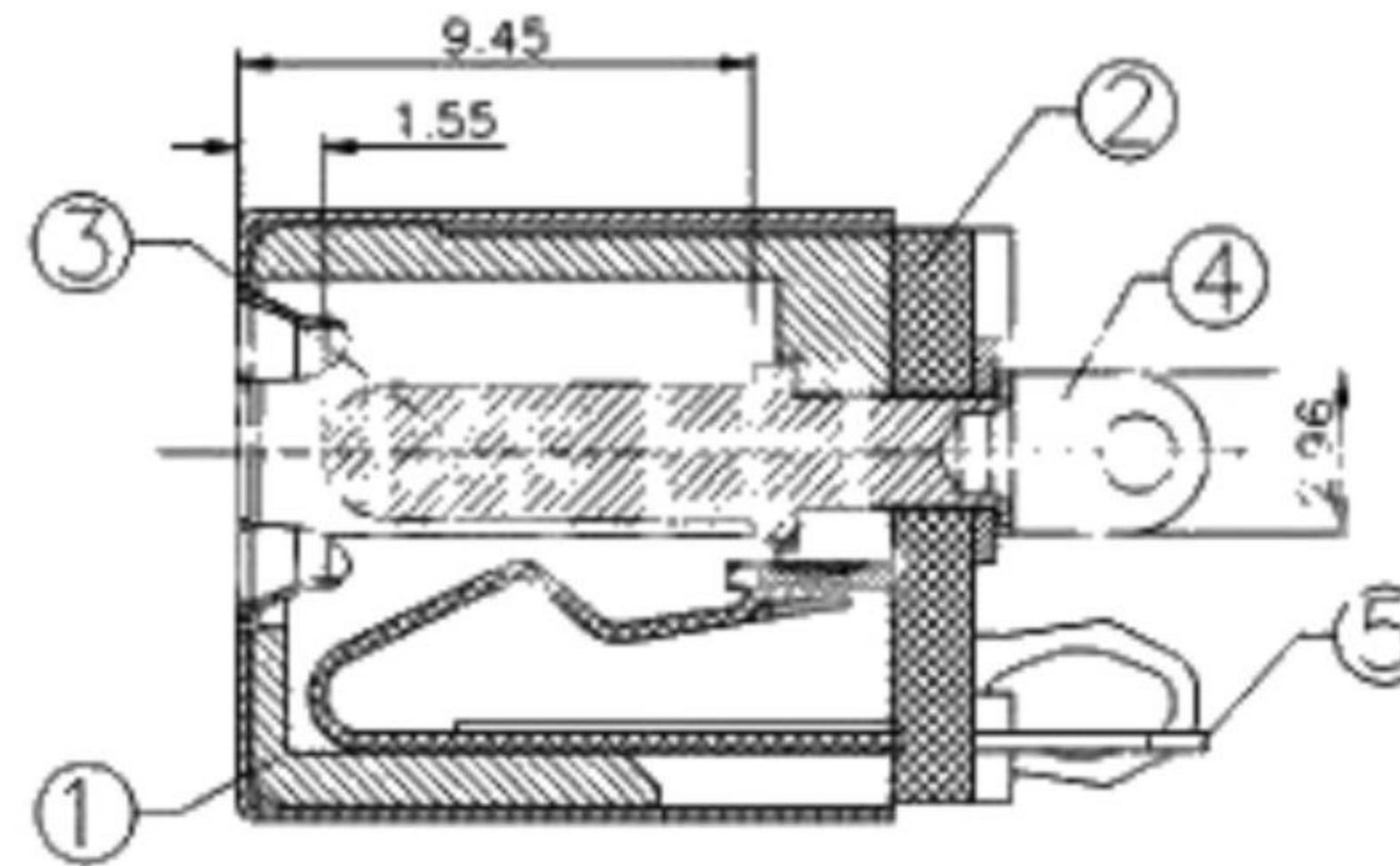
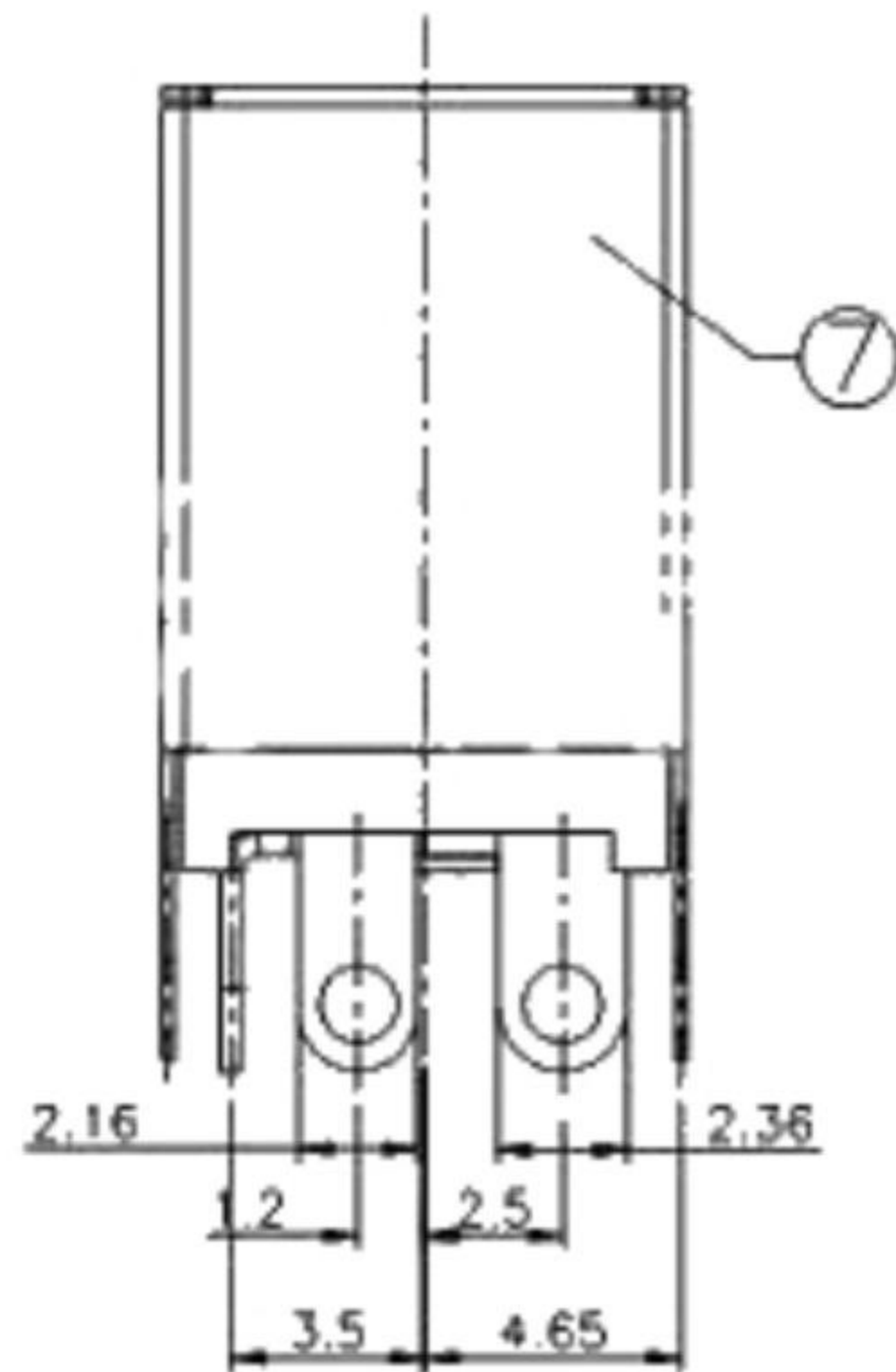
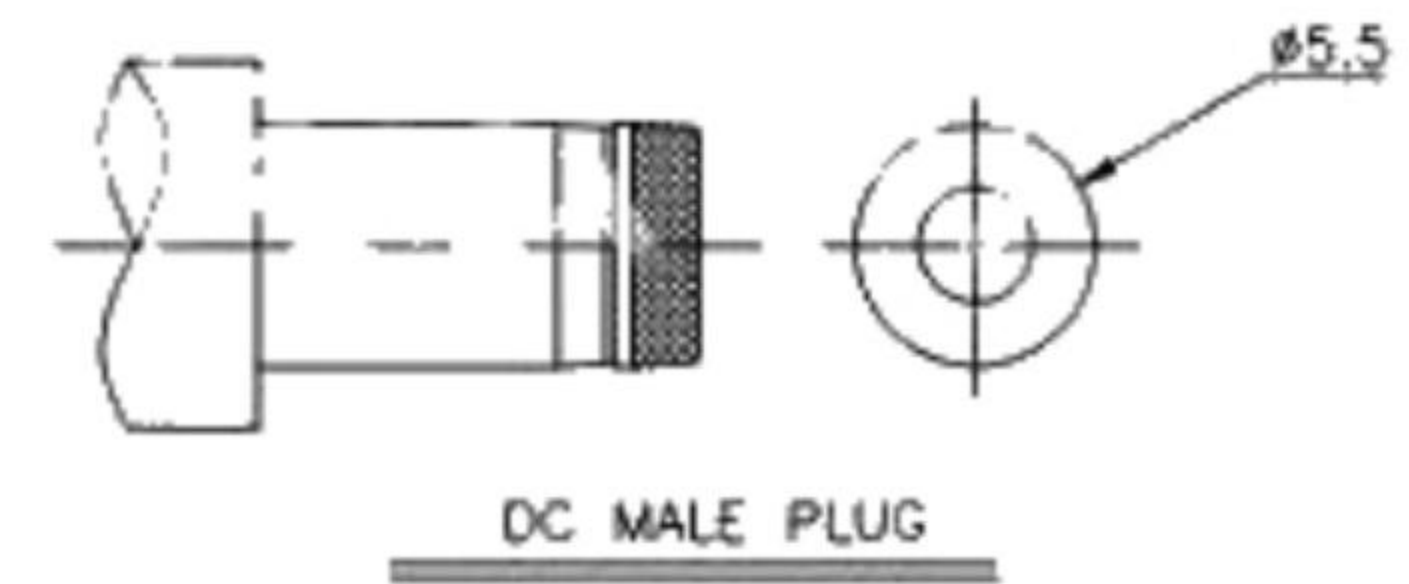


RECOMMENDED P.C.B LAYOUT  
COPPER-SIDED VIEW ±0.05MM



SECTION A-A



					ANGLAR	±5°	DSND		DATE	SCALE: N/A	MODEL TYPE: DC POWER JACK		
ΔX					X.X	±0.2mm	DWN		DATE	VIEW:	PART NO.:		
ΔX					X.XX	±0.1mm	CHKD		DATE	UNIT: mm	DWG NO.:		
ΔX					X.XXX	±0.05mm	APPD		DATE	SIZE: A4			
MARK	DESCRIPTION	DATE	REVISED	APPROVED	UNSPECIFIED TOLERANCES		<b>廣東科斯達電子科技有限公司</b>				WEIGHT	SHEET	REVISION
	REVISIONS										1.0g	1/1	A0